

**BLACKHAWK**

**LIFTING  
EQUIPMENT**

**Repair Parts Information**

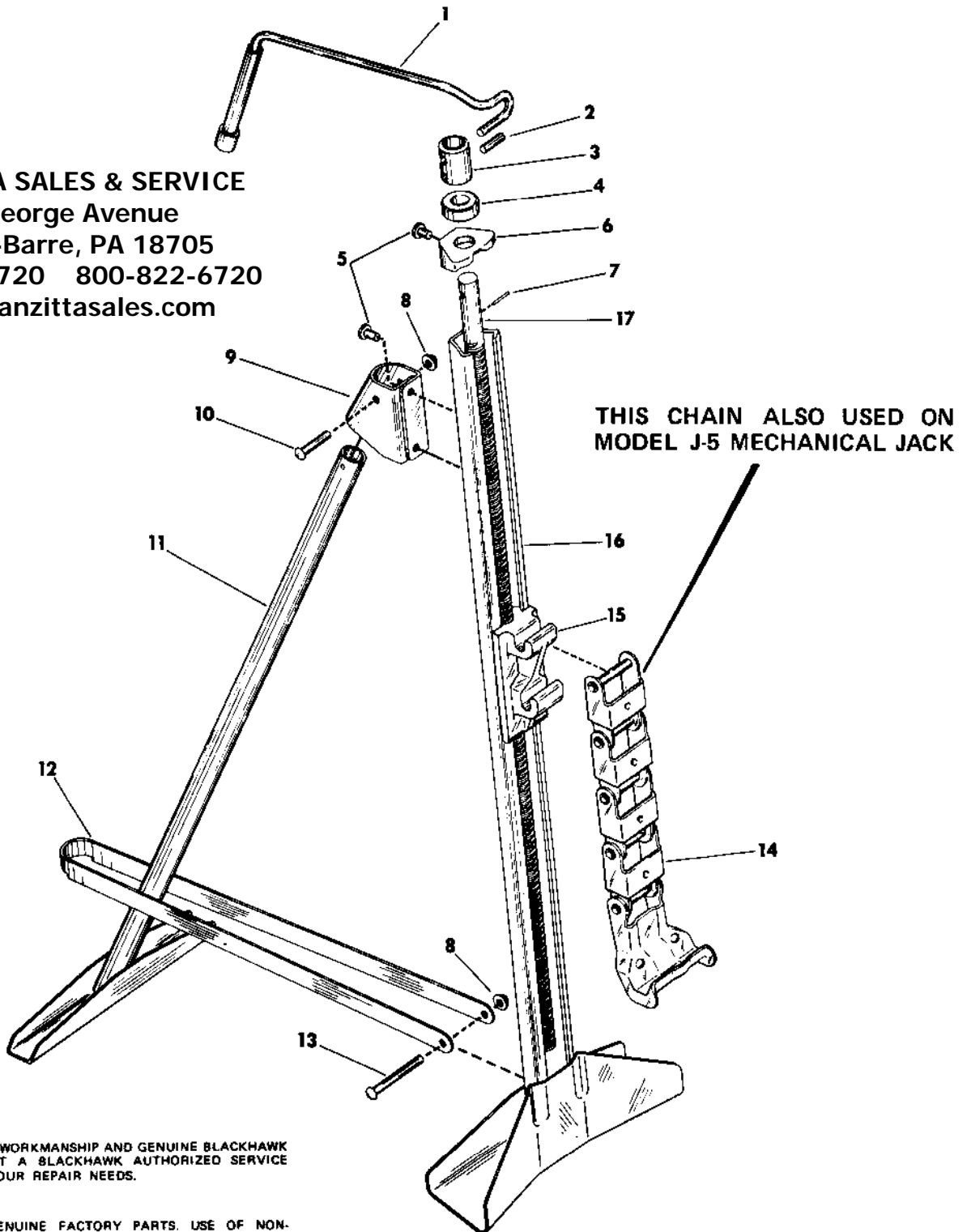
Mechanical Bumper Jack

**MODELS J-53 and J-54**

Serial Code C

CAPACITY: 2000 LBS.

PANZITTA SALES & SERVICE  
72 George Avenue  
Wilkes-Barre, PA 18705  
570-822-6720 800-822-6720  
www.panzittasales.com



FOR QUALITY WORKMANSHIP AND GENUINE BLACKHAWK PARTS, SELECT A BLACKHAWK AUTHORIZED SERVICE DEPOT FOR YOUR REPAIR NEEDS.

USE ONLY GENUINE FACTORY PARTS. USE OF NON-GENUINE PARTS VOIDS WARRANTY.

**FOR USE ON PASSENGER CARS DESIGNED FOR BUMPER JACK LIFTING**

## REPAIR PARTS LIST

Item No.	J-53 Part No.	No. Req.	J-54 Part No.	No. Req.	Description
1	E595.900	1	E594.900	1	Crank
2	E605.061	1	E606.061	1	Pin
3	E601.489	1	E602.489	1	Socket
4	E607.107	1	E608.107	1	Bearing
5	RH.820	3	RH.822	3	Rivet
6	E609.111	1	E610.111	1	Bracket
7	D374.061	1	D238.061	1	Pin
8	SJ6.338	2	SJ6.338	2	Nut
9	E597.111	1	E598.111	1	Bracket
10	E599.003	1	E600.003	1	Rivet
11	E620.900	1	E621.900	1	Leg
12	E622.145	1	E623.145	1	Brace
13	E624.003	1	E624.003	1	Rivet
14	N79.017	1	N79.017	1	Chain
15	SJ6.461	1	SJ6.496	1	Adapter
16	JA3.335	1	JA3.333	1	Leg
17	SJ6.533	1	SJ6.531	1	Screw

**PANZITTA SALES & SERVICE**  
 72 George Avenue  
 Wilkes-Barre, PA 18705  
 570-822-6720 800-822-6720  
[www.panzittasales.com](http://www.panzittasales.com)