

BLACKHAWK

LIFTING EQUIPMENT

Repair Parts Information

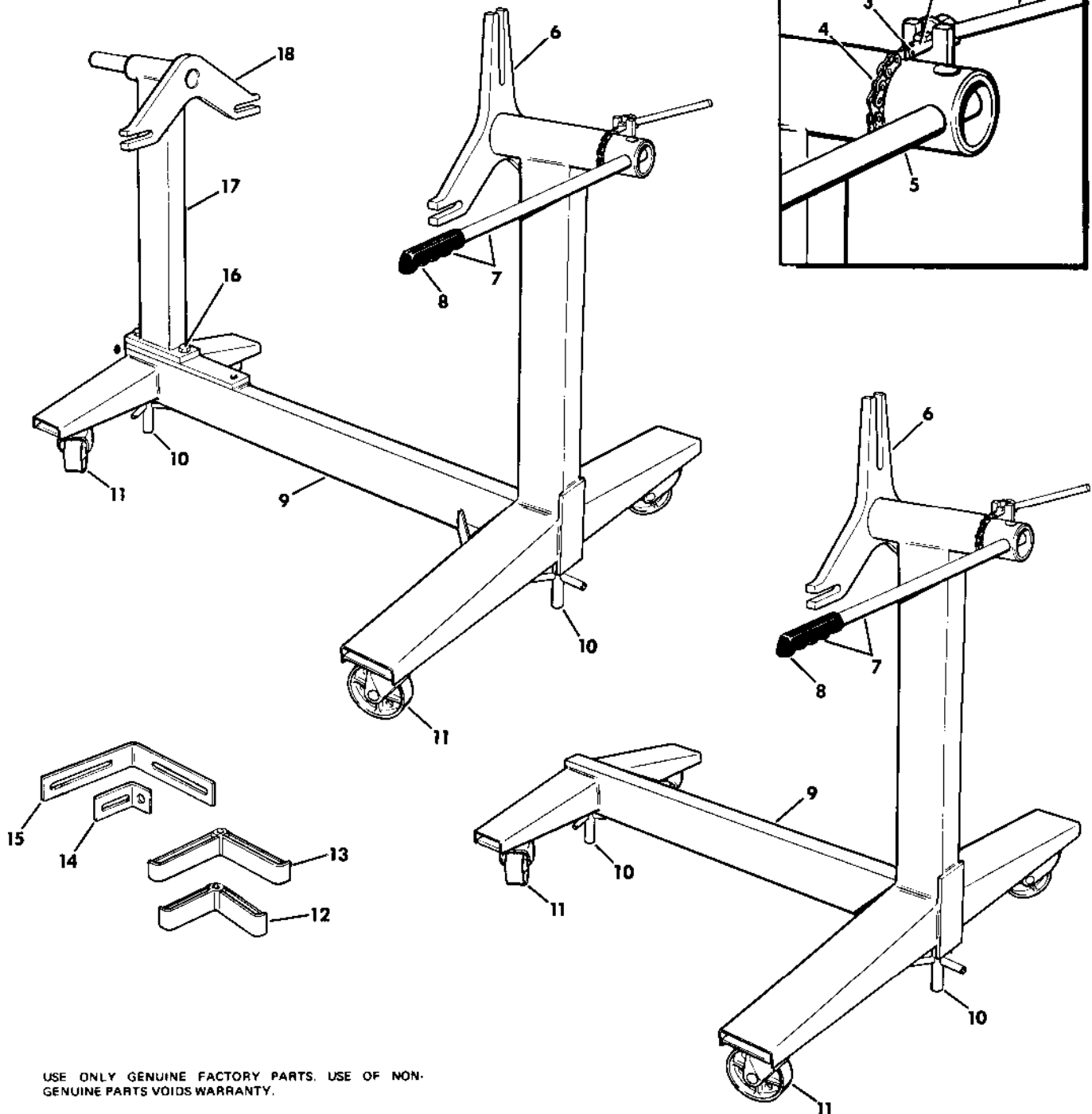
Engine Stands

MODELS ES-100 & ES-200

CAPACITIES: ES-100: 1,000 LBS.
ES-200: 2,000 LBS.

CAUTION:

ATTACHING BOLTS ARE MADE OF HIGH STRENGTH STEEL.
DO NOT USE COMMERCIAL HARDWARE.



USE ONLY GENUINE FACTORY PARTS. USE OF NON-GENUINE PARTS VOIDS WARRANTY.

REPAIR PARTS LIST

Item No.	Part Number		No. Req.	Description
	ES-100	ES-200		
1	K3.070	K3.070	1	Lever
2	K2.056	K2.056	1	Clevis
3	K14.061	K14.061	1	Pin (Top)
4	K1.066	K1.066	1	Chain
†5	K15.061	K15.061	1	Pin (Bottom)
6	K3.038	K3.038	1	Adapter Plate, Large
7	K5.070	K5.070	1	Lever w/Grip
8	B525.550	B525.550	1	Grip
9	K4.001	K5.001	1	Frame
10	K1.564	K2.564	2	Lock
11	K1.154	D66.154	4	Caster
	D244.028	D245.028	16	Bolt
	S4.139	B678.108	16	Washer
	D891.055	C425.120	16	Nut
12	K2.038	K2.038	2	Adapter, 6"
13	K1.038	K1.038	1	Adapter, 8-1/2"
14	----	K4.111	4	Bracket, 2-1/4"
15	----	K5.111	2	Bracket, 10-3/16"
16	----	K12.028	2	Bolt
17	----	K6.111	1	Removable Post
18	----	K4.038	1	Adapter Plate, Small
†19	B481.120	B481.120	3	Nut, 7/16-14
†20	D257.108	----	3	Flat Washer, 1/2"
	----	D257.108	12	Flat Washer, 1/2"
†21	D343.108	----	6	Flat Washer, 7/16"
	----	D343.108	8	Flat Washer, 7/16"
†22	E969.108	----	6	Flat Washer, 3/8"
	----	E969.108	8	Flat Washer, 3/8"
†23	K7.028	K7.028	3	Bolt, 7/16-14x3-1/4"
†24	K8.028	----	6	Bolt 3/8-16x2-1/4"
	----	K8.028	8	Bolt 3/8-16x2-1/4"
†25	K9.028	----	6	Bolt 7/16-14x2-1/4"
	----	K9.028	8	Bolt 7/16-14x2-1/4"
†26	K11.028	----	3	Bolt 1/2-13x2"
	----	K11.028	4	Bolt 1/2-13x2"
†27	----	K10.028	6	Bolt 1/2-13x1-1/2"
†28	----	J586.055	6	Nut, 1/2-13

†Not Illustrated.

NOTE: Orders for parts cannot be filled unless both model and serial number with prefix imprinted on nameplate are given.

PANZITTA SALES & SERVICE
 72 George Avenue
 Wilkes-Barre, PA 18705
 570-822-6720 800-822-6720
www.panzittasales.com