



APPLIED POWER

Lifting Equipment

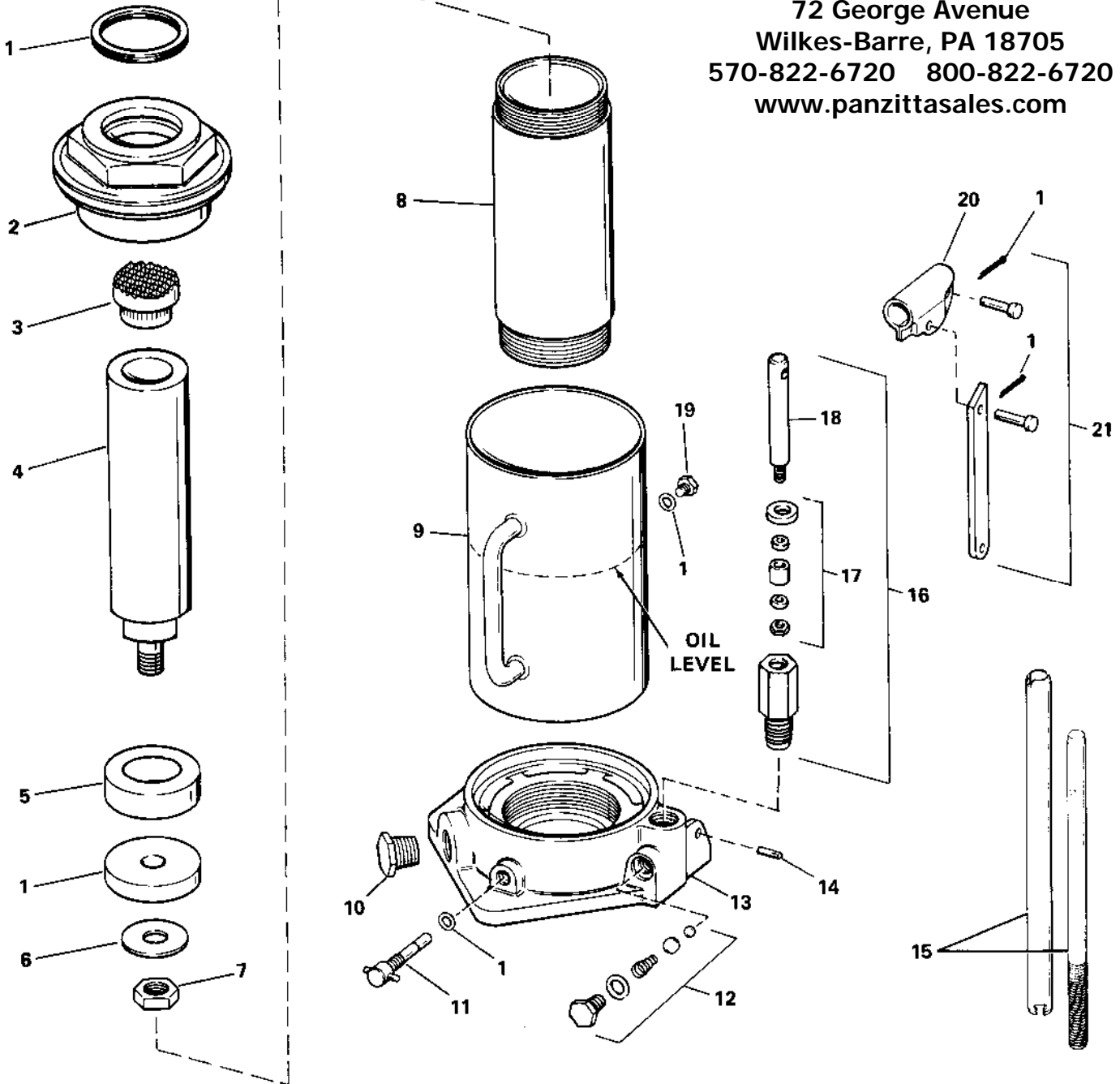
Automotive Product Service Division

MODEL AMERICAN AH-2011
BLACKHAWK EA-11F

ISSUED AUGUST 9, 1974
SUPERSEDES PS-620/PS-625

HAND JACK
CAPACITY: 20 TONS

PANZITTA SALES & SERVICE
72 George Avenue
Wilkes-Barre, PA 18705
570-822-6720 800-822-6720
www.panzittasales.com



ADDING OIL
Remove plug (19) and add oil to indicated level.

REPAIR PARTS LIST

Item No.	Part No.	No. Req.	Description
1	EA11X2	1	Repair Kit*
2	K520020	1	Cap
3	NJ100010	1	Saddle
4	NJ100044	1	Plunger
5	NJ100043	1	Ring
6	NJ100009	1	Washer
7	NJ100012	1	Nut
8	NJ100005	1	Cylinder
9	K659025	1	Reservoir
10	P5245-1	1	Plug (Gage)
11	AJ10086	1	Release Valve
12	U30X4	1	Valve Kit
13	NJ100024	1	Base
14	K494061	1	Pin (Base)
15	H-12	1	Handle
16	K584900	1	Pump Complete
17	U30X3	1	Pump Kit
18	K585040	1	Piston
19	AJ100060	1	Plug
20	AJ100064	1	Beam
21	K491900	1	Beam w/Link and Pins
†22	LX21		Jack Oil
			(Jack Oil is Available in Quart, Gallon and 5 Gallon Cans)
23	EA11026X	1	Decal Kit (Pak of 2)
	K758026X	1	Decal Kit (Pak of 5)
			American
*24	EA11X2	1	Repair Kit
25	820-20034	1	Part Sheet

†Not Shown
*Repair Kit Contains Cups, O-Rings and Gaskets

PANZITTA SALES & SERVICE
 72 George Avenue
 Wilkes-Barre, PA 18705
 570-822-6720 800-822-6720
www.panzittasales.com