



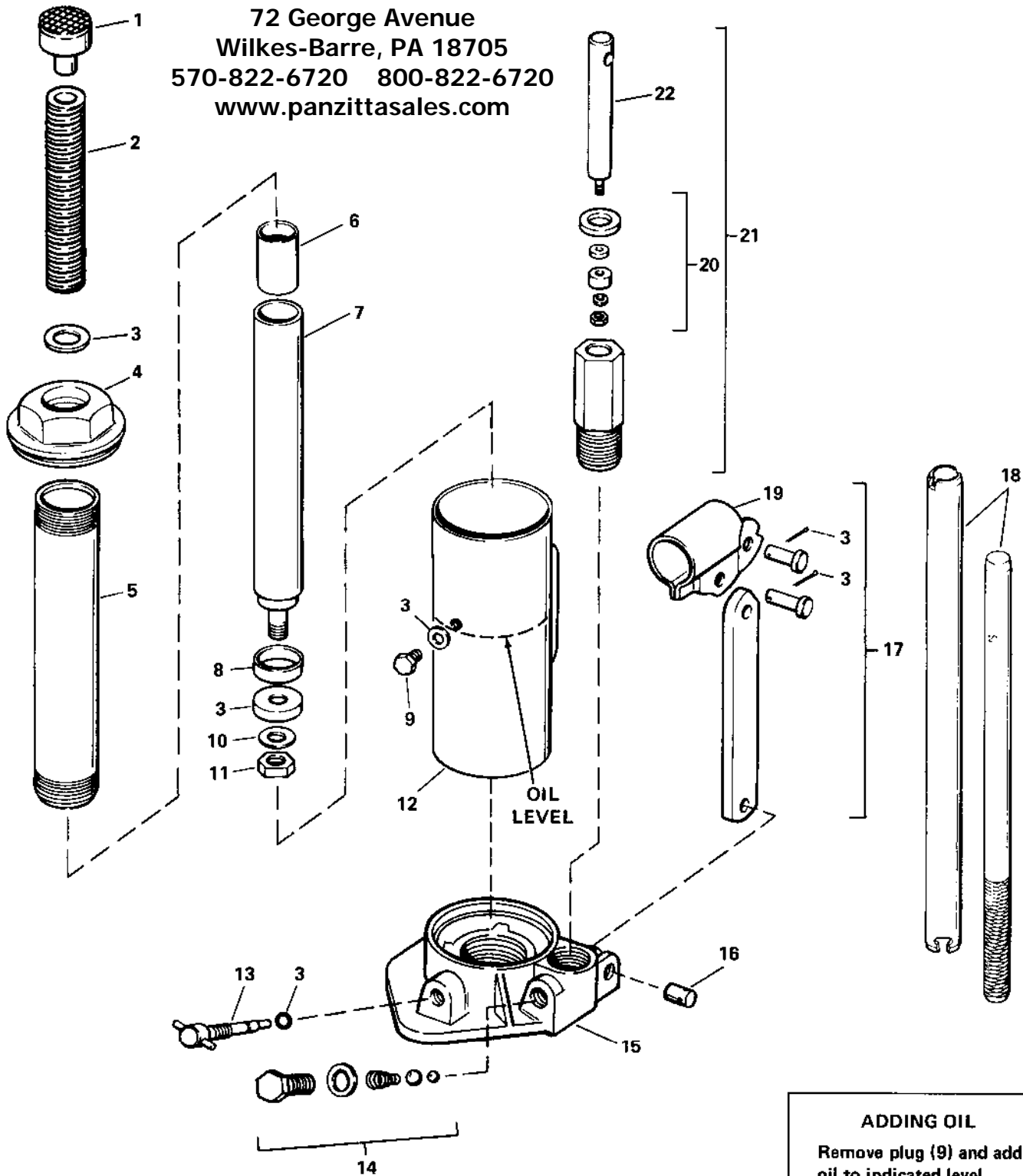
# Lifting Equipment

Automotive Product Service Division

MODEL AMERICAN AH-1209D  
BEAR 57353  
BLACKHAWK D-87H  
ISSUED AUGUST 9, 1974  
SUPERSEDES PS-520/PS-625

HAND JACK  
CAPACITY: 12 TONS

PANZITTA SALES & SERVICE  
72 George Avenue  
Wilkes-Barre, PA 18705  
570-822-6720 800-822-6720  
www.panzittasales.com



**ADDING OIL**  
Remove plug (9) and add  
oil to indicated level

## REPAIR PARTS LIST

Item No.	Part No.	No. Req.	Description
1	KJ100012	1	Saddle
2	KJ100005	1	Adj. Screw
3	D87X2	1	Repair Kit*
4	K519.020	1	Cap
5	KJ100007	1	Cylinder
6	KJ100009	1	Sleeve
7	KJ100019	1	Plunger
8	K525044	1	Ring
9	AJ100060	1	Plug
10	KJ100011	1	Washer
11	KJ100015	1	Nut
12	K553025	1	Reservoir
13	AJ10086	1	Release Valve
14	U30X4	1	Valve Kit
15	KJ100108	1	Base w/Plug
16	K494061	1	Pin (Base)
17	K491900	1	Beam w/Link and Pins
18	H-12	1	Handle
19	AJ100064	1	Beam
20	U30X3	1	Pump Kit
21	K584.900	1	Pump Complete
22	K585040	1	Piston
†23	LX21		Jack Oil (Jack Oil is Available in Quart, Gallon and 5 Gallon Cans)
24	D87026X	1	Decal Kit (Pak of 4)
	K758026X	1	Decal Kit (Pak of 5) American
*25	D87X2	1	Repair Kit
26	820-20030	1	Part Sheet

†Not Shown  
\*Kit Contains Cups, O-Rings and Gaskets

**PANZITTA SALES & SERVICE**  
 72 George Avenue  
 Wilkes-Barre, PA 18705  
 570-822-6720 800-822-6720  
[www.panzittasales.com](http://www.panzittasales.com)