



Lifting Equipment

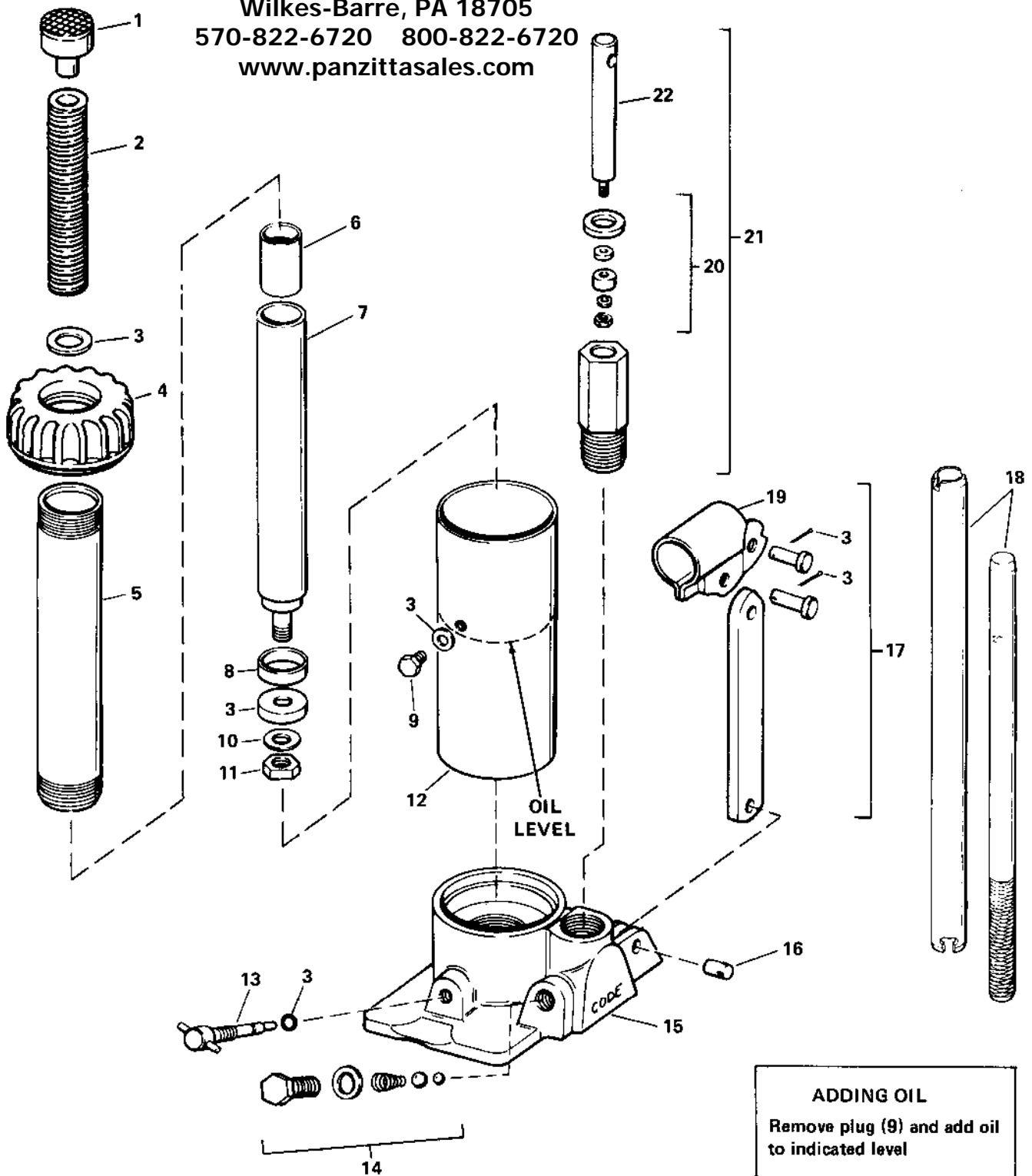
Automotive Product Service Division

MODEL AMERICAN AH-809E
BLACKHAWK CB-9F

ISSUED AUGUST 9, 1974
SUPERSEDES PS-520/PS-625

HAND JACK
CAPACITY: 8 TONS

PANZITTA SALES & SERVICE
72 George Avenue
Wilkes-Barre, PA 18705
570-822-6720 800-822-6720
www.panzittasales.com



REPAIR PARTS LIST

Item No.	Part No.	No. Req.	Description
1	EJ100013	1	Saddle
2	EJ100005	1	Adj. Screw
3	CB9X1	1	Repair Kit*
4	K529020	1	Cap (Crown)
	K518020	1	Cap (Hex)
5	HJ100004	1	Cylinder
6	EJ100011	1	Sleeve
7	EJ100021	1	Plunger
8	K512044	1	Ring
9	AJ100060	1	Plug
10	EJ100012	1	Washer
11	EJ100014	1	Nut
12	K548025	1	Reservoir
13	AJ10086	1	Release Valve
14	U30X4	1	Valve Kit
15	HJ100053	1	Base
16	K494061	1	Pin (Base)
17	K491900	1	Beam w/Link and Pins
18	H-12	1	Handle
19	AJ100064	1	Beam
20	U30X3	1	Pump Kit
21	K584900	1	Pump (Complete)
22	K585040	1	Piston
†23	LX21		Jack Oil
			(Jack Oil is Available in Quart, Gallon and 5 Gallon Cans)
24	CB9026X	1	Decal Kit (Pak of 4)
	K758026X	1	Decal Kit (Pak of 5) American
*25	CB9X1	1	Repair Kit
26	820-20029	1	Part Sheet

†Not Shown
*Repair Kit Contains Cups, O-Ring and Gaskets

PANZITTA SALES & SERVICE
 72 George Avenue
 Wilkes-Barre, PA 18705
 570-822-6720 800-822-6720
www.panzittasales.com