



Wheel Alignment Equipment

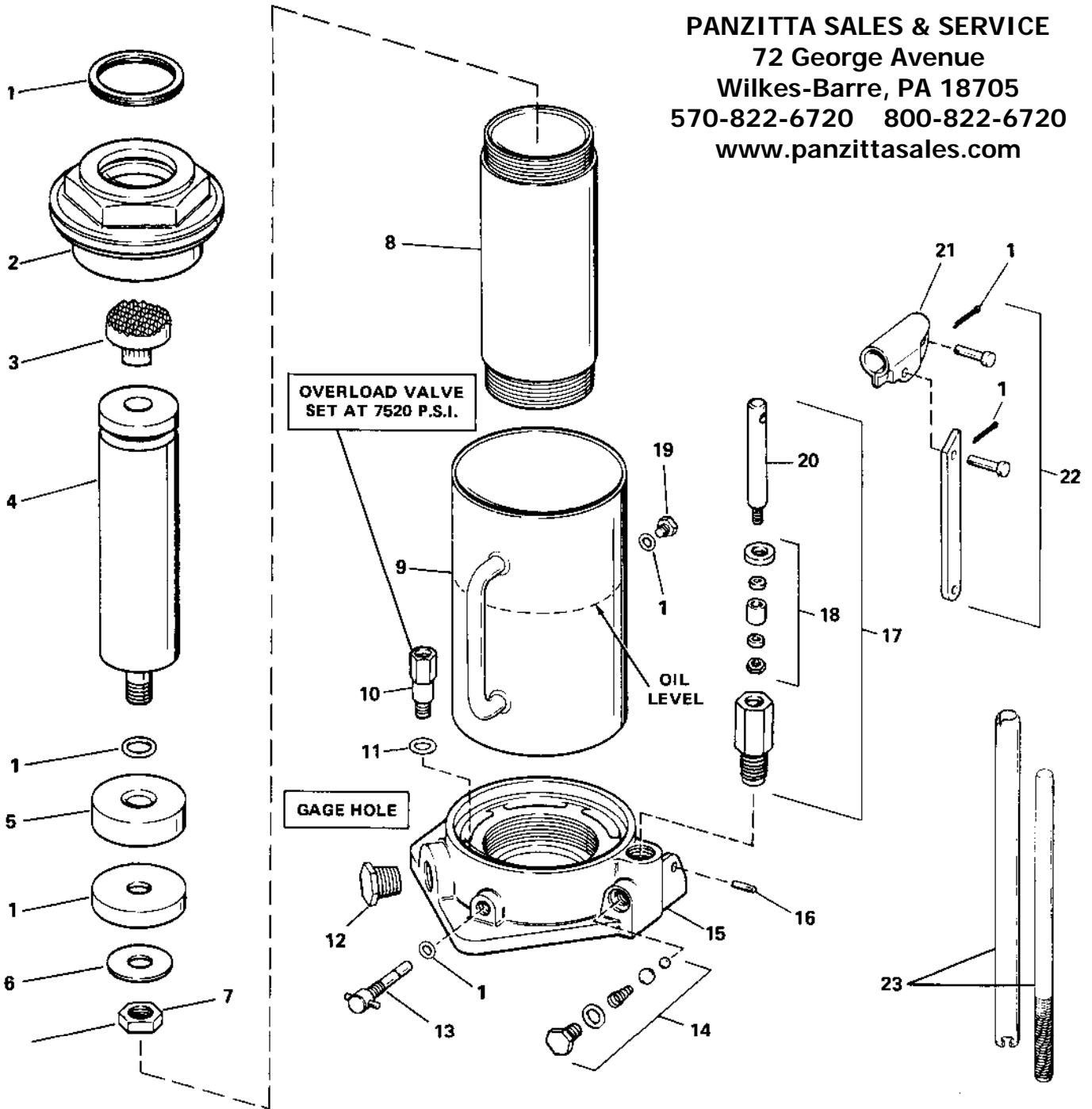
Automotive Product Service Division

MODEL BEAR 57590/FA17A

ISSUED JULY 12, 1974
SUPERSEDES NEW

HAND JACK
CAPACITY: 30 TON

PANZITTA SALES & SERVICE
72 George Avenue
Wilkes-Barre, PA 18705
570-822-6720 800-822-6720
www.panzittasales.com



WHEN ADDING OIL
Remove plug 19 and add oil to indicated level.

REPAIR PARTS LIST

Item No.	Part No.	No. Req.	Description
1	FA11X1	1	Repair Kit*
2	E716020	1	Cap
3	FB1145-1	1	Saddle
4	K476040	1	Plunger
5	FA1171	1	Disc
6	E723108	1	Washer
7	NJ100012	1	Nut
8	K477030	1	Cylinder
9	K475025	1	Reservoir
10	P181190-2	1	Valve (Safety)
11	B159167	1	Gasket
12	P5245-1	1	Plug
13	AJ10086	1	Release Valve
14	U30X4	1	Valve Kit
15	J443005	1	Base
16	K494061	1	Pin (Base)
17	K584900	1	Pump (Complete)
18	U30X3	1	Pump Kit
19	AJ100060	1	Plug (Filler)
20	K585040	1	Piston
21	AJ100064	1	Beam
22	K491900	1	Beam w/Link and Pins
23	H12	1	Handle
†24	LX21	1	Jack Oil (Jack Oil is Available in Quart, Gallon and 5 Gallon Cans)
*25	FA11X1	1	Repair Kit
26	820-20022	1	Repair Part Sheet

†Not shown
*Repair kit contains cup, O-rings and gaskets.

PANZITTA SALES & SERVICE
72 George Avenue
Wilkes-Barre, PA 18705
570-822-6720 800-822-6720
www.panzittasales.com