



APPLIED POWER

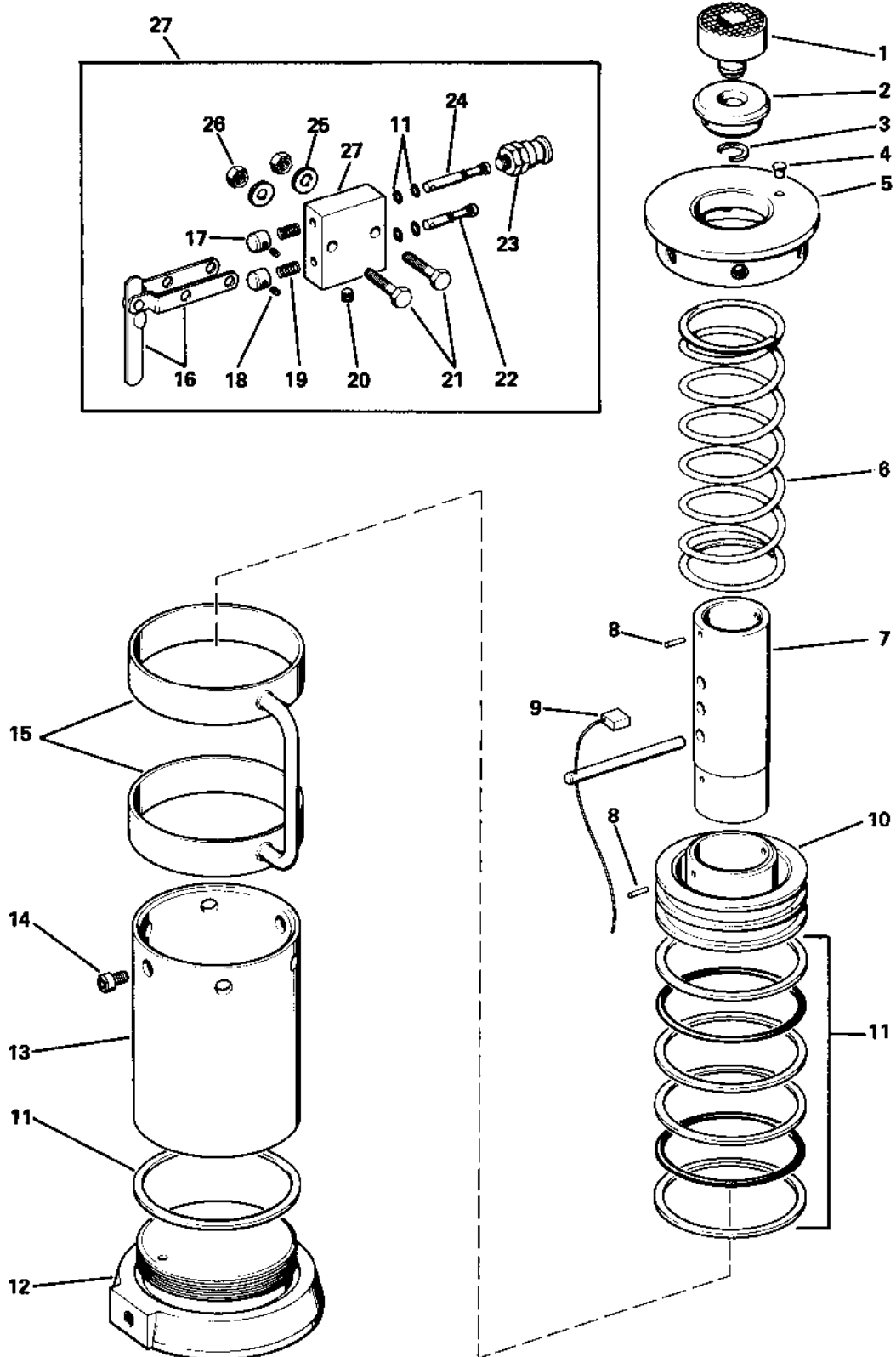
# Wheel Alignment Equipment

Automotive Product Service Division

MODEL BEAR 16946/AJ-2

ISSUED SEPTEMBER 13, 1974  
SUPERSEDES AJ2-1000

AIR JACK  
CAPACITY: 1500 LB. AT 125 PSI



## REPAIR PARTS LIST

Item No.	Part No.	No. Req.	Description
1	15249	1	Saddle
2	15246	1	Head (Plunger)
3	15250	1	Ring
4	4897	1	Plug
5	16949	1	Top Cap
6	16940	1	Spring
7	15248	1	Plunger
8	15183	4	Pin, 3/16 - 1/2
9	61018	1	Pin w/Lock and Cable
10	16950	1	Piston
11	AJ2X	1	Repair Kit*
12	16948	1	Base
13	16947	1	Tank
14	9202	6	Screw, 3/8 - 16 - 1/2
15	17208	1	Handle
16	24740	1	Lever
17	24745	2	Head
18	9865	2	Screw, 10 - 24 - 3/16
19	24746	2	Spring
20	9339	1	Plug, 1/16
21	9302	2	Bolt, 1/4 - 20 - 1-3/4
22	24743	1	Piston, 1-7/8"
23	21383	1	Filter
24	24742	1	Piston, 2-3/8"
25	9693	2	Washer, 1/4
26	9589	2	Nut, 1/4 - 20
27	24747	1	Valve
†28	19609	1	Saddle Adapter
†29	16960	1	Hose, 5 Foot
*30	AJ2X	1	Repair Kit
31	820-20053		Part Sheet

†Not shown  
\*Repair kit contains cups, O-rings and gaskets

**PANZITTA SALES & SERVICE**  
 72 George Avenue  
 Wilkes-Barre, PA 18705  
 570-822-6720 800-822-6720  
[www.panzittasales.com](http://www.panzittasales.com)