



Lifting Equipment

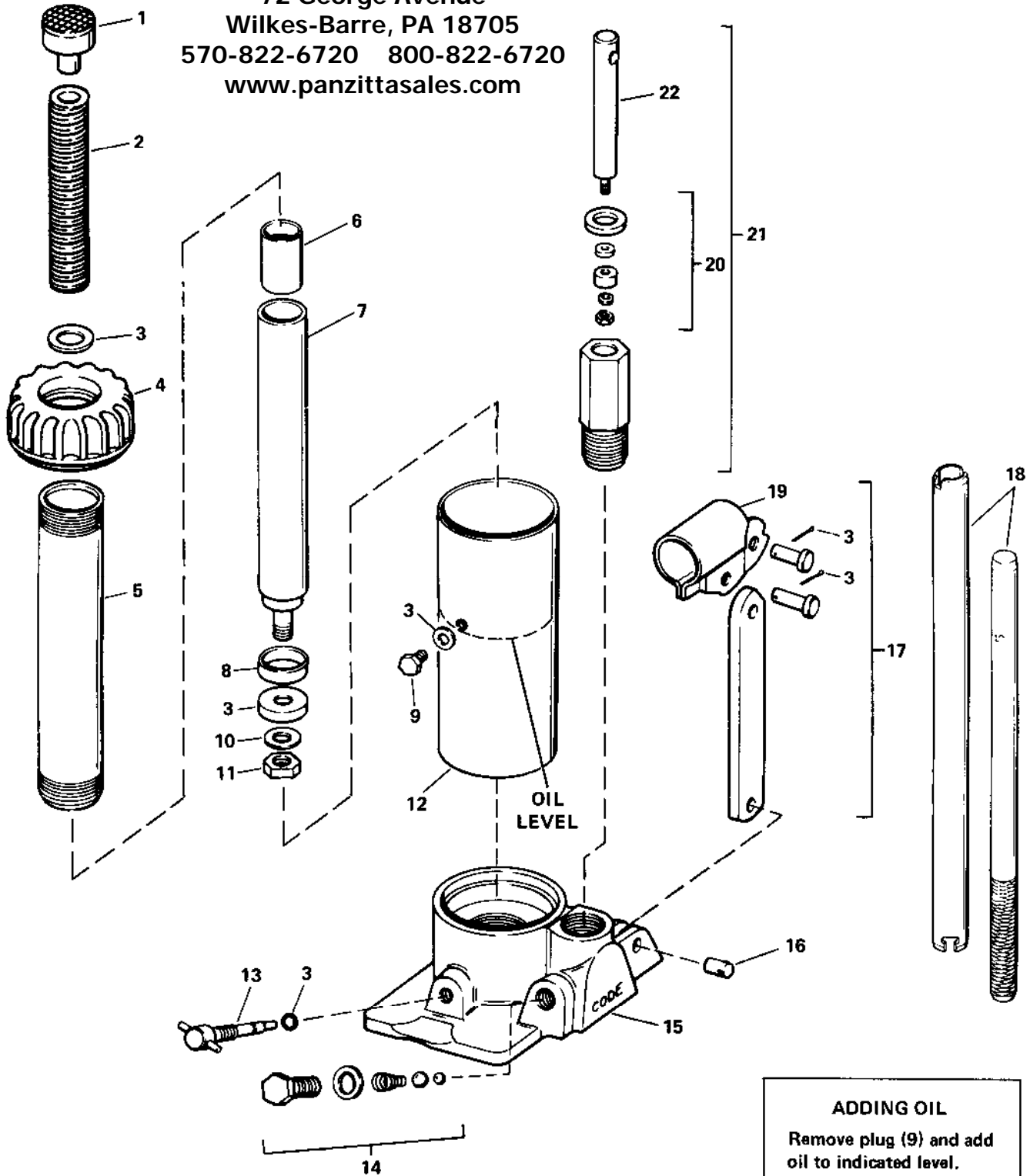
Automotive Product Service Division

MODEL AMERICAN AH-309E
BLACKHAWK BA-85H

ISSUED AUGUST 9, 1974
SUPERSEDES PS-520/PS-625

HAND JACK
CAPACITY: 3 TONS

PANZITTA SALES & SERVICE
72 George Avenue
Wilkes-Barre, PA 18705
570-822-6720 800-822-6720
www.panzittasales.com



ADDING OIL
Remove plug (9) and add oil to indicated level.

REPAIR PARTS LIST

Item No.	Part No.	No. Req.	Description
1	CJ100013	1	Saddle
2	CJ100006	1	Adj. Screw
3	BA85X2	1	Repair Kit*
4	K527020	1	Cap (Crown)
	K516020	1	Cap (Hex)
5	CJ100008	1	Cylinder
6	CJ100012	1	Sleeve
7	CJ100022	1	Plunger
8	K497044	1	Ring
9	AJ100060	1	Plug (Filler)
10	CJ100011	1	Washer
11	AJ100019	1	Nut
12	K379025	1	Reservoir
13	AJ10086	1	Release Valve
14	U30X4	1	Valve Kit
15	CJ100102	1	Base
16	K494061	1	Pin (Base)
17	K491900	1	Beam w/Link and Pins
18	H-12	1	Handle
19	AJ100064	1	Beam
20	U30X3	1	Pump Kit
21	K584900	1	Pump (Complete)
22	K585040	1	Piston
†23	LX21		Jack Oil
			(Jack Oil is Available in Quart, Gallon and 5 Gallon Cans)
24	BA85026X	1	Decal Kit (Pak of 4)
	K758026X	1	Decal Kit (Pak of 5) American
*25	BA85X2	1	Repair Kit
26	820-20027	1	Part Sheet

†Not Shown
*Repair Kit Contains Cups, O-Rings and Gaskets

PANZITTA SALES & SERVICE
 72 George Avenue
 Wilkes-Barre, PA 18705
 570-822-6720 800-822-6720
www.panzittasales.com