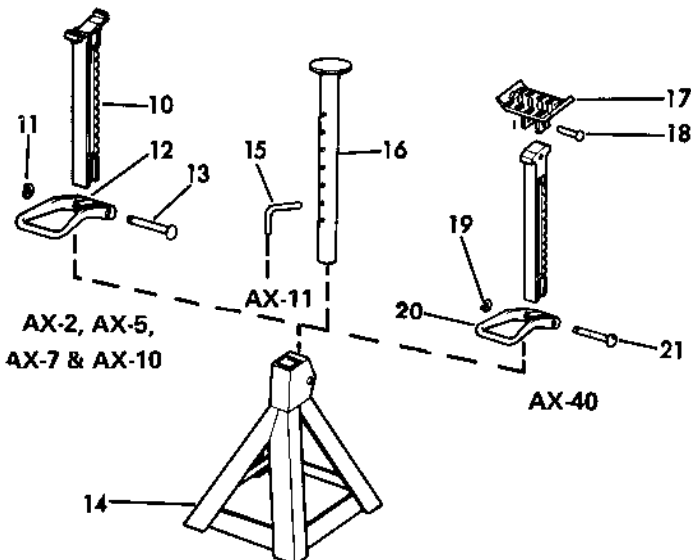
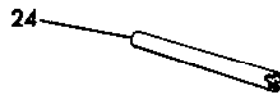
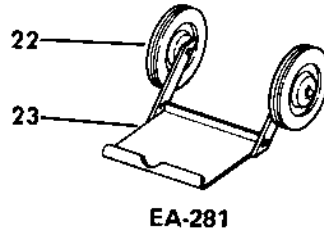
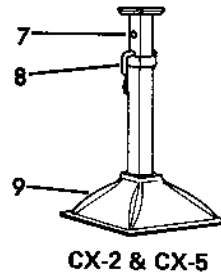
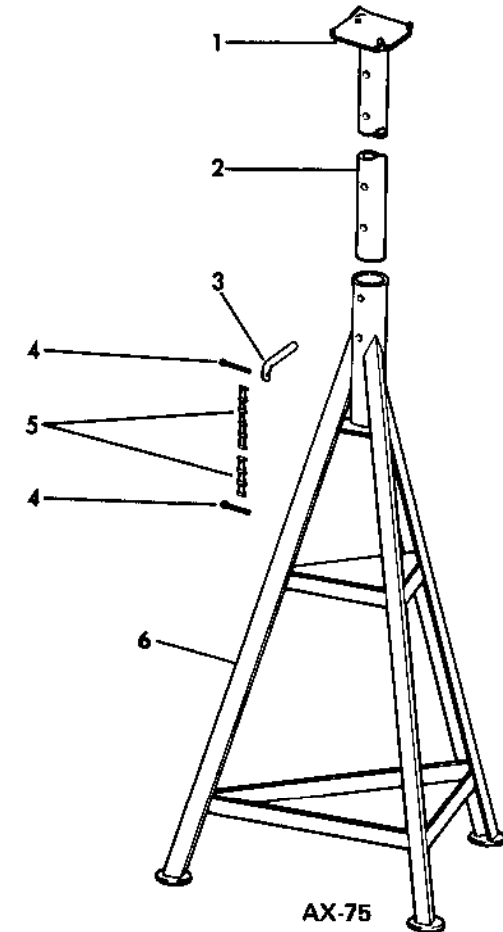


BLACKHAWK

LIFTING EQUIPMENT

Repair Parts Information

Lifting Equipment Accessories

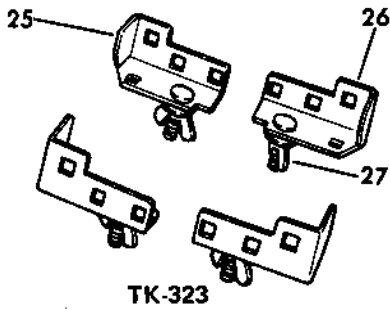


Item No.	Part No.	No. Req.	Description
1	B872.028	1	J-Bolt
	B874.028	1	Hex Bolt
	D262.055	2	Nut
2	B879.045	1	Saddle
3	B871.061	1	Pin
4	B876.061	1	Pin
5	B877.066	1	Chain (16")
6	Frame		Not Available as Replacement Part
7	B980.045	1	Saddle (CX-2)
	B988.045	1	Saddle (CX-5)
8	B981.061	1	Lock Pin
	B982.066	1	Chain
	B983.061	1	Cotter Pin
	B986.108	1	Washer
	B985.028	1	Bolt
9	Frame		Not Available as Replacement Part
10	A495.045-1	1	Saddle (AX-2)
	A506.045-1	1	Saddle (AX-5 & AX-7)
	A484.045	1	Saddle (AX-10)
11	A664.523	1	Ring (AX-2)
	A435.524	1	Ring (AX-5 & AX-7)
12	A496.070-1	1	Handle (AX-2)
	A507.070-1	1	Handle (AX-5 & AX-7)
	A485.070	1	Handle (AX-10)
13	A497.153-1	1	Pin (AX-2)
	A508.153-1	1	Pin (AX-5 & AX-7)
	A486.061	1	Pin (AX-10)
14	Frame		Not Available as Replacement Part
15	A489.900	1	Pin w/ Chain (AX-11)
16	A529.045	1	Saddle (AX-11)
17	A523.045	1	Saddle (AX-40)
18	A557.057	1	Pin (AX-40)
	K18.58	1	Cotter Pin (AX-40)
19	A435.524	1	Ring (AX-40)
20	A507.070	1	Handle (AX-40)
21	A508.153-1	1	Pin (AX-40)
22	EA28.106	2	Wheel
	D257.108	4	Washer
	B876.061	2	Pin
	D796.028	2	Screw
23	Frame		Not Available as Replacement Part
24	H-12		Jack Handle

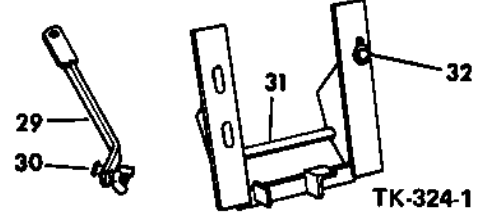
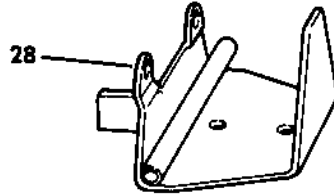
FOR QUALITY WORKMANSHIP AND GENUINE BLACKHAWK PARTS, SELECT A BLACKHAWK AUTHORIZED SERVICE DEPOT FOR YOUR REPAIR NEEDS.

USE ONLY LX-21 JACK OIL AND GENUINE FACTORY PARTS. USE OF OTHER HYDRAULIC FLUIDS OR NON-GENUINE PARTS VOIDS WARRANTY.

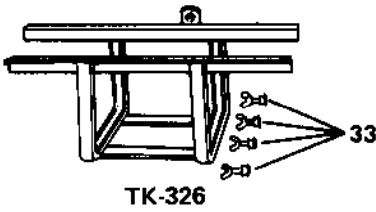
NEVER USE BRAKE FLUID.



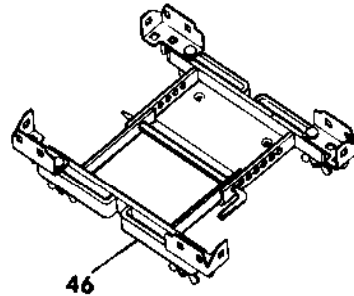
TK-323



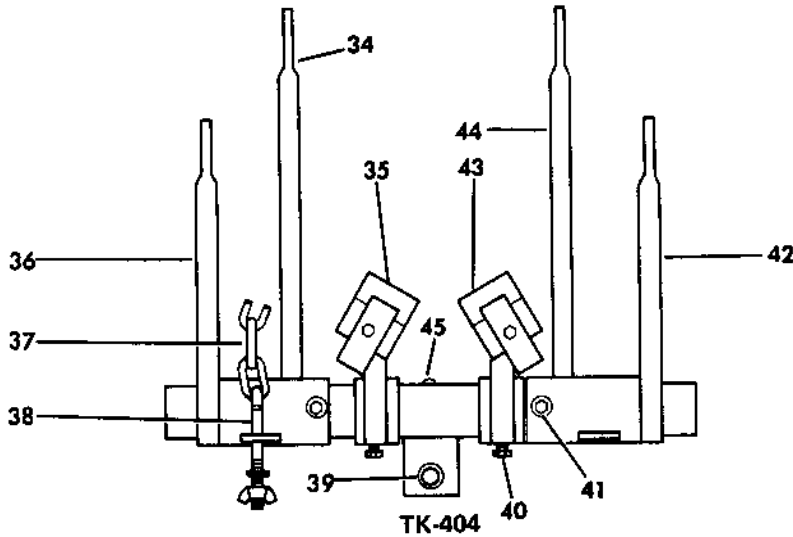
TK-324-1



TK-326



46



TK-404

Item No.	Part No.	No. Req.	Description
25	D104.111	2	Bracket, R.H.
26	D105.111	2	Bracket, L.H.
27	D274.028	4	Bolt
	D263.055	4	Nut
	D257.108	4	Washer
28	TK-325	1	Adapter (Power Guide)
29	E819.111	1	Bracket
30	D274.028	1	Bolt
	D263.055	1	Nut
31	K11.061	1	Pin
	A436.546	2	Ring
32	D890.028	2	Bolt, 3/8" x 2"
	B779.181	2	Nut
	E969.108	4	Washer
	B772.087	1	Bolt, 3/8" x 1"
33	D274.028	4	Bolt
	D257.108	4	Washer
	D263.055	4	Nut
34	K717.111	1	Stud
35	D57.111	1	Bracket, R.H.
36	K714.111	1	Stud
37	D258.066	3	Chain
38	D65.017	1	Hook
	W40.108	5	Washer
	D251.055	1	Nut
39	J251.104	1	Shaft
	A435.524	2	Ring
40	D248.028	2	Screw
41	D244.028	4	Screw
42	K716.111	1	Stud
43	D58.111	1	Bracket, L.H.
44	K715.111	1	Stud
45	D249.028	1	Bolt
	D257.108	1	Washer
	B776.181	1	Nut
46	TK-320	1	All-Make Adapter
†	D53.111	1	Channel, Lower
†	D54.111	1	Channel, Upper

†Not Shown.

NOTE: Orders for parts cannot be filled unless both model and serial number with prefix imprinted on nameplate are given.

PANZITTA SALES & SERVICE
 72 George Avenue
 Wilkes-Barre, PA 18705
 570-822-6720 800-822-6720
 www.panzittasales.com