



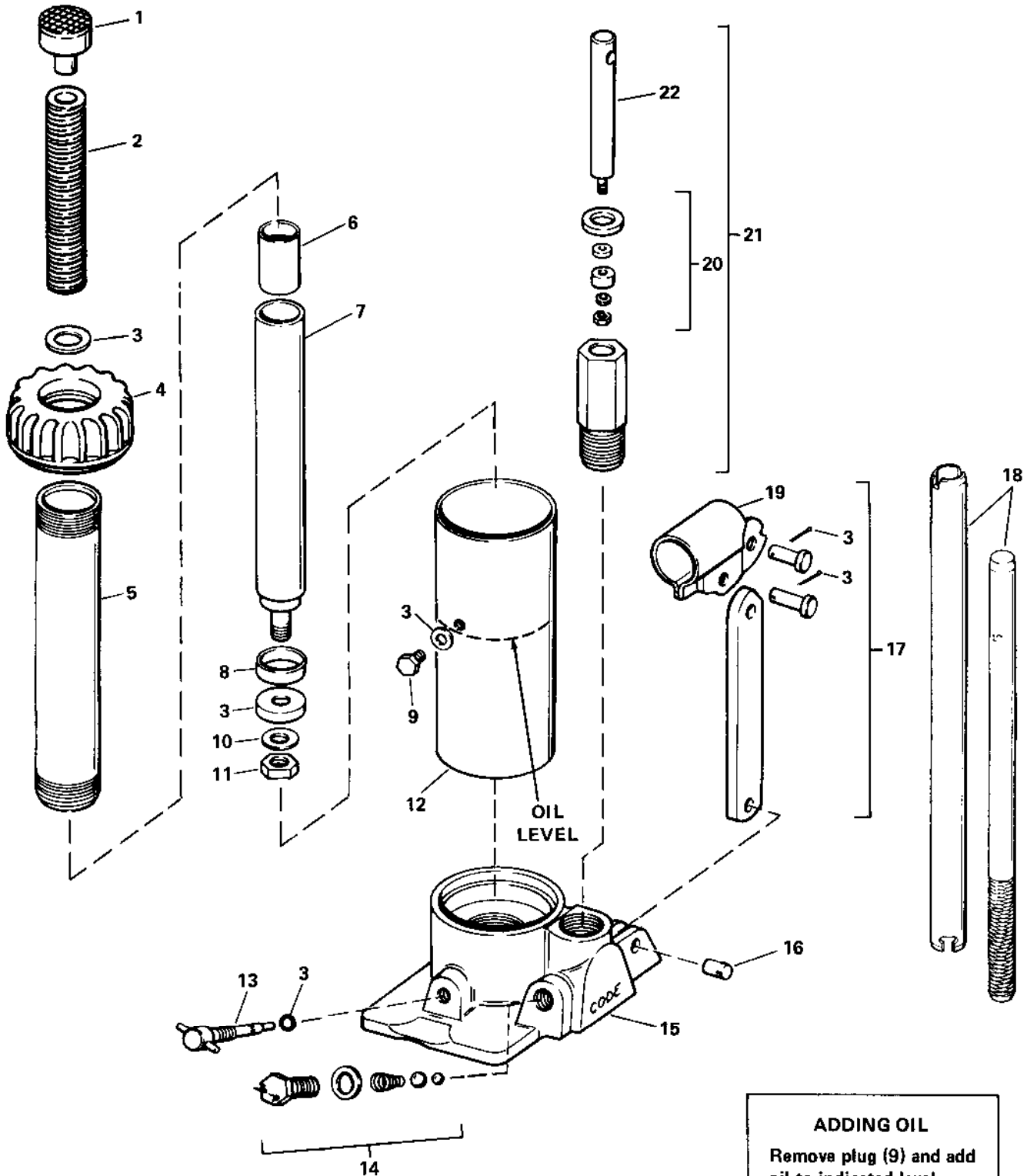
# Lifting Equipment

Automotive Product Service Division

MODEL AMERICAN AH-509E  
BLACKHAWK AA-85H

ISSUED AUGUST 9, 1974  
SUPERSEDES SUPERSEDES PS-520/PS-625

HAND JACK  
CAPACITY: 5 TONS



## REPAIR PARTS LIST

Item No.	Part No.	No. Req.	Description
1	EJ100013	1	Saddle
2	EJ100005	1	Adj. Screw
3	AA85X2	1	Repair Kit*
4	K528020	1	Cap (Crown)
	K517020	1	Cap (Hex)
5	HJ100004	1	Cylinder
6	EJ100011	1	Sleeve
7	EJ100021	1	Plunger
8	K512044	1	Ring
9	AJ100060	1	Plug (Filler)
10	EJ100012	1	Washer
11	EJ100014	1	Nut
12	K547025	1	Reservoir
13	AJ10086	1	Release Valve
14	U30X4	1	Valve Kit
15	EJ100051	1	Base
16	K494061	1	Pin (Base)
17	K491900	1	Beam w/Link and Pins
18	H-12	1	Handle
19	AJ100064	1	Beam
20	U30X3	1	Pump Kit
21	K584900	1	Pump (Complete)
22	K585040	1	Piston
†23	LX21		Jack Oil (Jack Oil is Available in Quart, Gallon and 5 Gallon Cans)
24	AA85026X	1	Decal Kit (Pak of 4)
	K758026X	1	Decal Kit (Pak of 5) American
*25	AA85X2	1	Repair Kit
26	820-20028	1	Part Sheet

†Not Shown  
\*Repair Kit Contains Cups, O-Ring and Gaskets

**PANZITTA SALES & SERVICE**  
 72 George Avenue  
 Wilkes-Barre, PA 18705  
 570-822-6720 800-822-6720  
[www.panzittasales.com](http://www.panzittasales.com)