



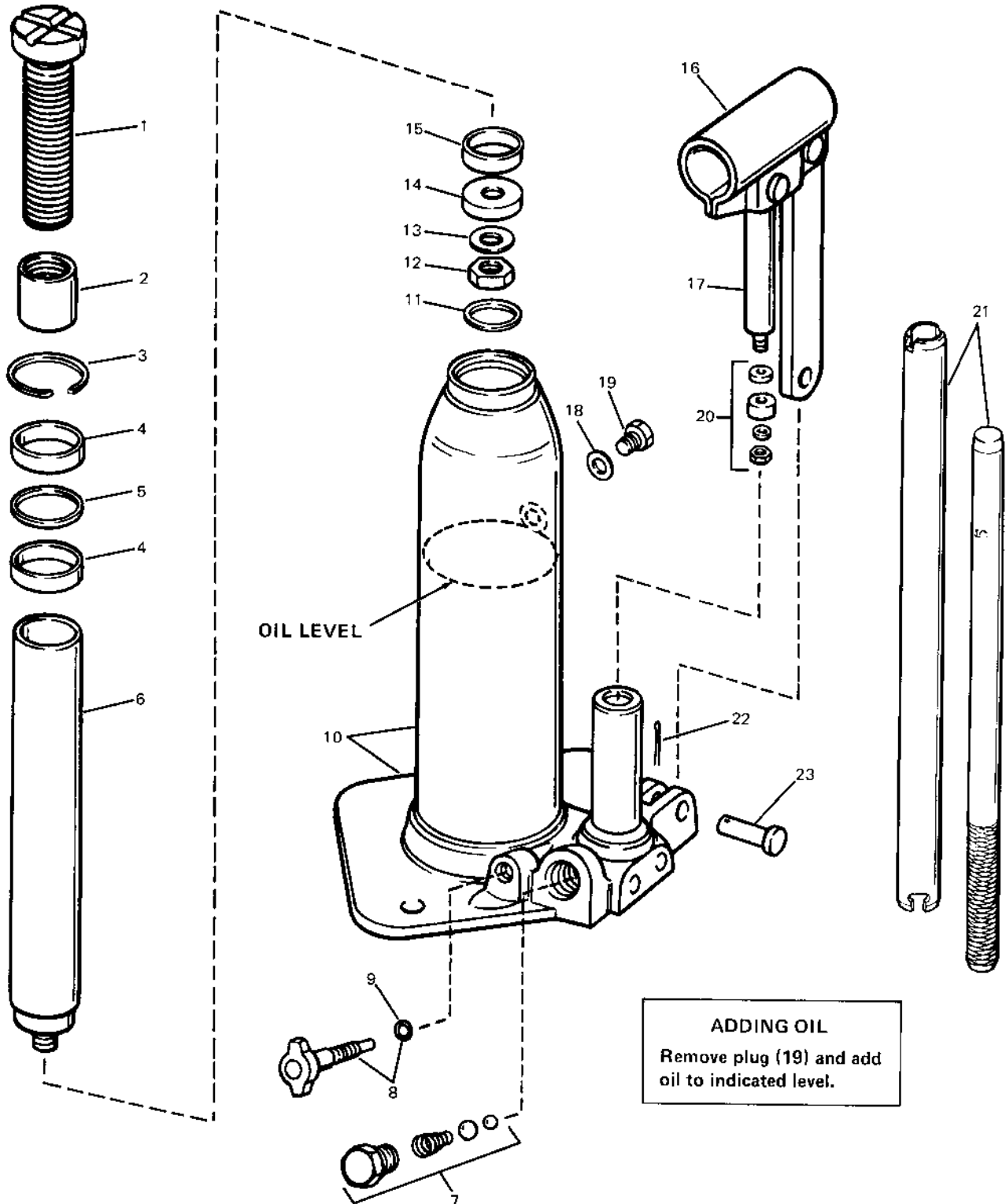
Lifting Equipment

Automotive Product Service Division

MODEL AMERICAN AH-107W, AH-309W,
AH-509W, AH-809W, AH-1209W
BLACKHAWK 67237, 67239,
67240, 67242, 67245

ISSUED MAY 28, 1976
SUPERSEDES NEW

HAND JACKS
CAPACITY: 1-1/2, 3, 5, 8 and 12 TONS



ADDING OIL
Remove plug (19) and add
oil to indicated level.

REPAIR PARTS LIST

Item No.	1-1/2 Ton	3 Ton	5 Ton	8 Ton	12 Ton	No. Req.	Description
1	K42-028	K43-028	K44-028	K45-028	K46-028	1	Extension Screw
2	K2-446	K3-446	K4-446	K5-446	K6-446	1	Sleeve
3	K21-044	K22-044	K25-044	K28-044	K32-044	1	Retaining Ring
4	K20-044	K23-044	K27-044	K29-044	K30-044	2	Gland Ring
5	B1226-503	B1229-503	B1233-503	B1263-503	B1091-503	1	Rectangular Seal*
6	K31-040	K32-040	K33-040	K34-040	K35-040	1	Plunger
7	U30X51	U30X51	U30X51	U30X51	U30X51	1	Valve Kit*
8	K166-900	K166-900	K166-900	K166-900	K166-900	1	Release Valve
9	K15-041	K15-041	K15-041	K15-041	K15-041	1	O-Ring*
10	Not Available as Repair Part					1	Base Weldment
11	K16-041	K20-041	K23-041	K27-041	K29-041	1	Rectangular Seal*
12	AJ100-019	AJ100-019	EJ100-014	EJ100-014	KJ100-015	1	Plunger Nut
13	AJ100-023	W40-108	EJ100-012	EJ100-012	KJ100-011	1	Washer
14	AJ100-437	K22-041	K25-041	EJ100-009	K30-041	1	Plunger Cup*
15	AJ100-050	K24-044	K26-044	K512-044	K31-044	1	Plunger Ring
16	K165-900	K165-900	K165-900	K165-900	K165-900	1	Beam w/Link and Piston
17	K30-040	K30-040	K30-040	K30-040	K30-040	1	Piston
18	AJ100-020	AJ100-020	AJ100-020	AJ100-020	AJ100-020	1	Gasket*
19	A8005-006	A8005-006	AJ100-060	AJ100-060	AJ100-060	1	Filler Plug
20	U30X3	U30X3	U30X3	U30X3	U30X3	1	Pump Kit*
21	K38-070	K38-070	K38-070	K26-070	K26-070	1	Handle
22	1-58	1-58	1-58	1-58	1-58	1	Cotter Pin*
23	K87-061	K87-061	K87-061	K87-061	K87-061	1	Base Pin
†24	Jack Oil is Available in Quart, Gallon and 5 Gallon Cans						LX21
†25	----	----	----	----	AP100-013	1	Gauge Plug
†26	----	----	----	----	FZ-1630	1	Reducer Bushing
†27	----	----	----	----	K16-096	1	Swivel Adapter
†28	----	----	----	----	K4-023	1	Gauge w/Fitting
†29	K895-026	K896-026	K897-026	K898-026	K899-026	1	Model and Caution Decal
30	67-237X	67-239X	67-240X	67-242X	67-245X	1	Repair Kit*
31	820-20171	820-20171	820-20171	820-20171	820-20171		Repair Part Sheet

*Available individually and in Repair Kits.
†Item not shown.

PANZITTA SALES & SERVICE
 72 George Avenue
 Wilkes-Barre, PA 18705
 570-822-6720 800-822-6720
www.panzittasales.com