

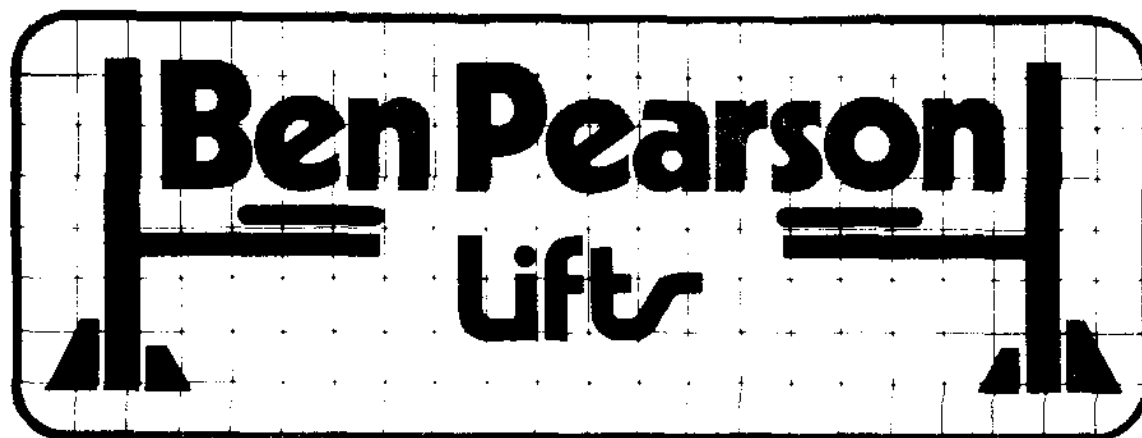
PARTS MANUAL

TWIN POST SURFACE MOUNTED LIFTS

MODEL

NDL

PANZITTA SALES & SERVICE
72 George Avenue
Wilkes-Barre, PA 18705
570-822-6720 800-822-6720
www.panzittasales.com

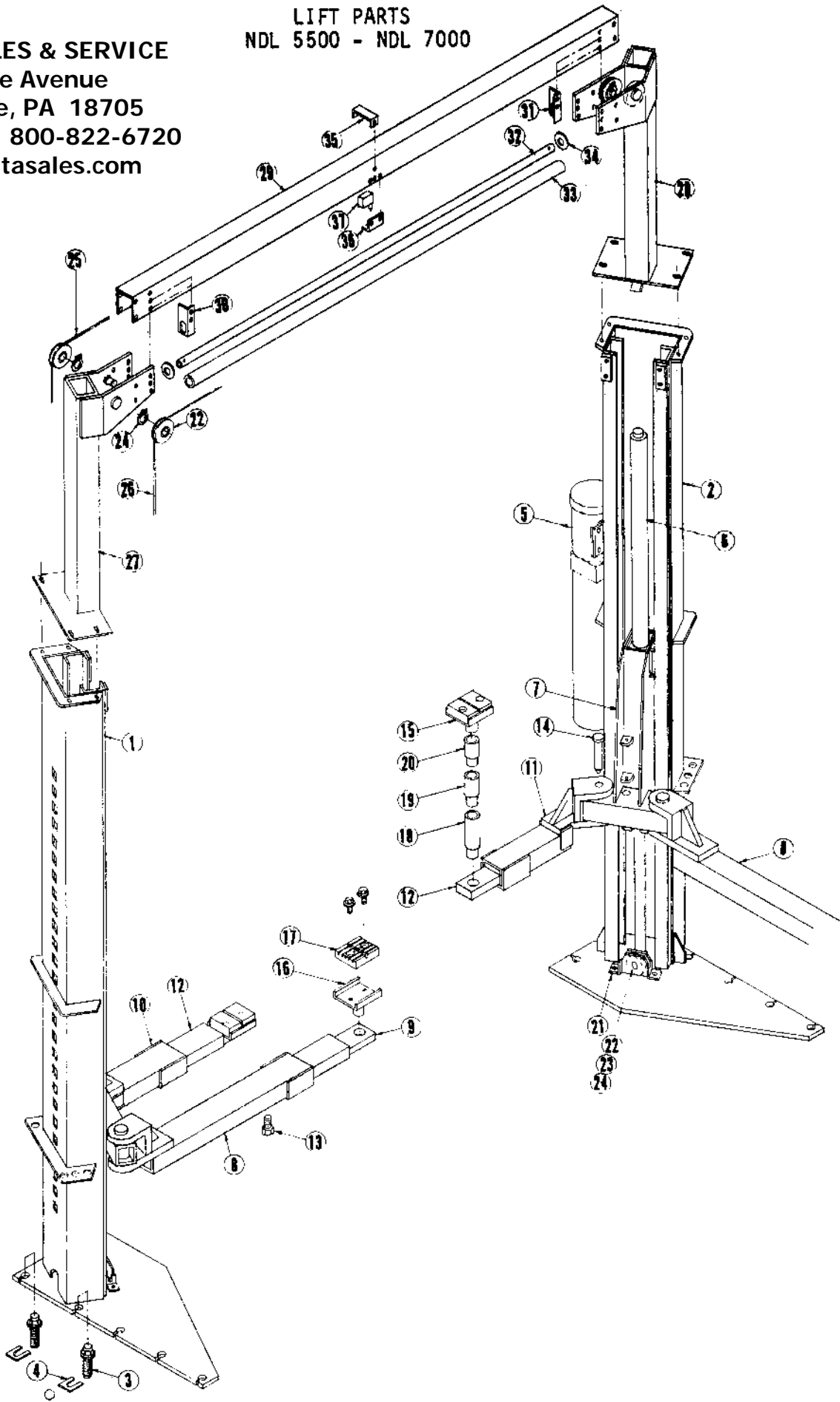


Ben Pearson Tubemaster Corporation
P. O. Box 5668 • Pine Bluff, Arkansas 71611

(501) 534-3064, 1-800-643-1346, Telex: 910-729-2904

PANZITTA SALES & SERVICE
72 George Avenue
Wilkes-Barre, PA 18705
570-822-6720 800-822-6720
www.panzittasales.com

LIFT PARTS
NDL 5500 - NDL 7000



LIFT PARTS
NDL5 & 7

Code	Part Name	QTY.	NDL5	NDL7
1	LH Post Structure	1	82788	82872
2	RH Post Structure	1	82789	82873
3	Anchor Bolt 3/4 x 4	16	80062	80062
4	Shim Kit	1	80589	80589
5	WE Power Unit Ass'y. 10 OR	1	83009	83009
5	MTE Power Unit Ass'y. 10 (See Breakdown)	1	82969	82969
	Hex Screw 5/16-18NC x 7/8	4	100198	100198
	Lock Washer 5/16	4	100159	100159
	Hex Nut 5/16-18NC	4	100102	100102
#	Connecting Body 10 - 3 Wire Ground	1	80136	80136
6	Hydraulic Cylinder	2	83542	83542
	Soc. Hd. Cap Screw 5/16-18NC x 2 1/2	2	80063	80063
	Hex Nylock Nut	2	80064	80064
	Seal Kit (Replacement Only) Pacoma	1	83339	83339
	Seal Kit (Replacement Only) Holmac	1	83657	83657
7	Carriage Assembly (See Breakdown)	2	82804	82882
8	Lift Arm Structure - Long	2	82823	82823
9	Arm Extension Structure Long	2	82834	82834
10	LH Lift Arm Structure - Short	1	82829	82829
11	RH Lift Arm Structure - Short	1	82830	82830
12	Arm Extension Structure - Short	2	82835	82835
13	Hex Screw 1/2-13NC x 1 1/4	4	100010	100010
14	Pin Structure - Arm	4	81885	81885
15	Lift Pad Assembly: Consists Of:	4	82591	82591
16	Channel Pad Structure	1	82361	82361
17	Pad - Bolt On	1	82365	82365
	HFHSL Screw 3/8-16NC x 5/8 Gr. 5	2	100313	100313
18	5" Extension Structure	4	81691	81691
19	3 1/2" Extension Structure (Optional)	4	81692	81692
20	2 5/8" Extension Structure	4	81693	81693
21	Idler Support Structure - Bottom	2	82800	82800
	HFHSL Screw 3/8-16NC x 3/4	4	100240	100240
22	Idler Assembly - Cable Consists Of:	6	81924	81924
	Idler	1	81925	81925
	Bushing	1	80695	80695
23	Pin - Idler	2	81819	81819
24	Retaining Ring 3/4	8	80864	80864
25	Cable Assembly - Short 1/4	1	82858	82858
26	Cable Assembly - Long 1/4	1	82859	82859
	Hex Nut 1/2-20NF	8	100157	100157
27	LH Post Extension Structure	1	82841	82841
28	RH Post Extension Structure	1	82842	82842
	HFHSL Screw 1/2-13NC x 3/4 (Ext. to Post)	4	100243	100243
	HFHSL Screw 1/2-13NC x 1 1/4 (Ext. to Post)	8	100304	100304
	HFHSL Nut 1/2-13NC (Ext. to Post)	8	100039	100039
29	Top Channel Structure (Cross over)	1	82854	82854
	HFHSL Screw 3/8-16NC x 1 Gr. 5 (Ext. to Chan.)	16	100238	100238
	HFHSL Nut 3/8-16NC	16	100239	100239
30	LH Angle - Support	1	81860	81860
31	RH Angle - Support	1	81861	81861
	HFHSL Screw 5/16-18NC x 3/4 Gr. 5	4	100234	100234
	HFHSL Nut 5/16-18NC	4	100237	100237
*	EXTENSIONS ARE FOR LEVELING AND STABILIZING VEHICLE! LOAD MUST BE BALANCED ON ARMS			

PANZITTA SALES & SERVICE
72 George Avenue
Wilkes-Barre, PA 18705
570-822-6720 800-822-6720
www.panzittasales.com

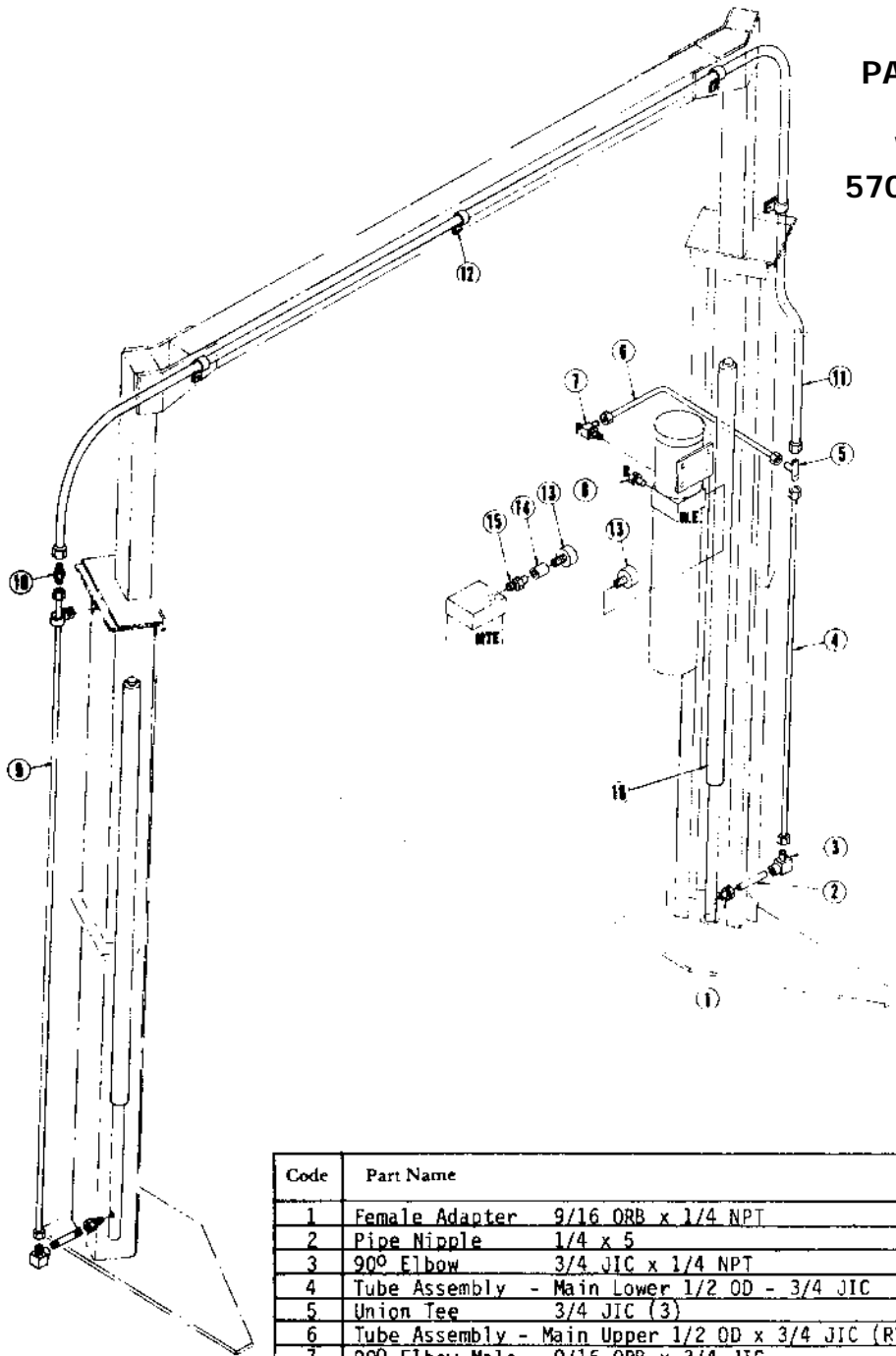
LIFT PARTS
NDL5 & 7

Code	Part Name	QTY.	NDL5	NDL7
32	Pipe - Bumper	1	82856	82856
33	Tubing - Bumper	1	81863	81863
34	Flat Washer 1 5/32 x 1 3/4 x 16 Ga.	2	100224	100224
	Hex Screw 5/16-18NC x 1 1/2 Gr. 5	2	81483	81483
	Lock Washer 5/16	2	100159	100159
	Hex Nut 5/16-18NC	2	100102	100102
35	Strap - Cable Support	1	82857	82857
	HFHSL Screw 5/16-18NC x 3/4 Gr. 5	2	100234	100234
	HFHSL Nut 5/16-18NC	2	100237	100237
36	Angle - Switch Support	1	81864	81864
	HFHSL Screw 5/16-18NC x 3/4 Gr. 5	2	100234	100234
	HFHSL Nut 5/16-18NC	2	100237	100237
37	Micro Switch - Push Button	1	80282	80282
	Cover - Switch	1	81910	81910
#	Decal "BEN PEARSON" - Vertical	2	83086	83086
#	Decal "NDL"	2	82782	82782
#	Decal "5"	2	82783	-
#	Decal "7"	2	-	82353
#	Installation & Operation Manual	1	83494	83494
#	Parts Manual	1	83496	83496
#	ALI Safety Manual	1	82974	82974
#	Blue Spray Paint	1	82780	82780
#	Yellow Spray Paint	1	82781	82781
#	Grease Tub Assembly	1	83324	83324
	OPTIONAL:			
	3 1/2 - Extension Structure	4	81692	81692
	Arm Extension Package - Front	1	83649	83649
	Power Unit & Wiring Assembly 3 Phase (See Brk.dwn.	1		
	Connecting Body - 3 Phase 4 Wire Ground	1	80140	80140
#	NOT SHOWN			

NDL 5 & 7.max

HYDRAULIC LAYOUT
NDL5 - 7

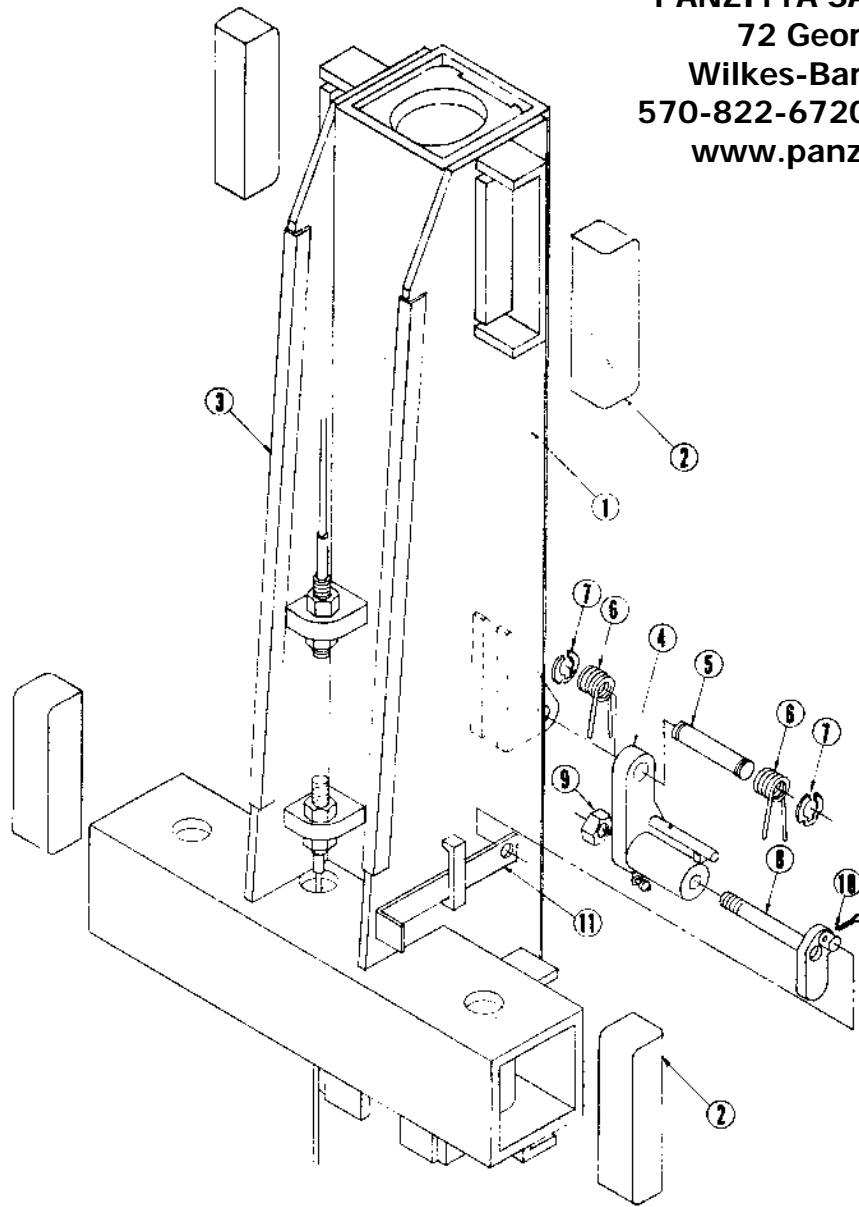
PANZITTA SALES & SERVICE
72 George Avenue
Wilkes-Barre, PA 18705
570-822-6720 800-822-6720
www.panzittasales.com



Code	Part Name	QTY	NDL5	NDL7
1	Female Adapter 9/16 ORB x 1/4 NPT	2	80992	80992
2	Pipe Nipple 1/4 x 5	2	100225	100225
3	90° Elbow 3/4 JIC x 1/4 NPT	2	100227	100227
4	Tube Assembly - Main Lower 1/2 OD - 3/4 JIC	1	82863	82863
5	Union Tee 3/4 JIC (3)	1	100226	100226
6	Tube Assembly - Main Upper 1/2 OD x 3/4 JIC (RH Post)	1	82861	82861
7	90° Elbow Male 9/16 ORB x 3/4 JIC	1	82056	82056
8	Hex Head Plug 9/16 ORB	1	100026	100026
9	Tube Assembly - Offside 1/2 OD x 3/4 JIC	1	82865	82865
10	Union Connector 3/4 JIC	1	100230	100230
11	Hose Assembly 3/8 ID x 3/4 JIC	1	82867	82867
12	Hose Clamp	5	61412	61412
	HFHSL Screw 5/16-18NC x 3/4 Gr. 5	2	100234	100234
	HFHSL Nut 5/16-18NC	2	100237	100237
13	Dry Pressure Gauge 1/4 NPT Connection	1	80124	80124
14	Coupling (MTE Only) 1/4 NPT	1	82066	82066
15	Hex Nipple (MTE Only) 3/8 NPT x 1/4 NPT	1	61496	61496
16	Hydraulic Cylinder 9/16 ORB Port	2	82803	82803
-	Hex Plug (For Shipping) 9/16 ORB	2	100026	100026
	OPTIONAL:			
#	Tube Assembly - Main Upper 1/2 OD x 3/4 JIC (PU Mt. LH Post)	1	83321	83321

CARRIAGE ASSEMBLY
NDL5 - 7

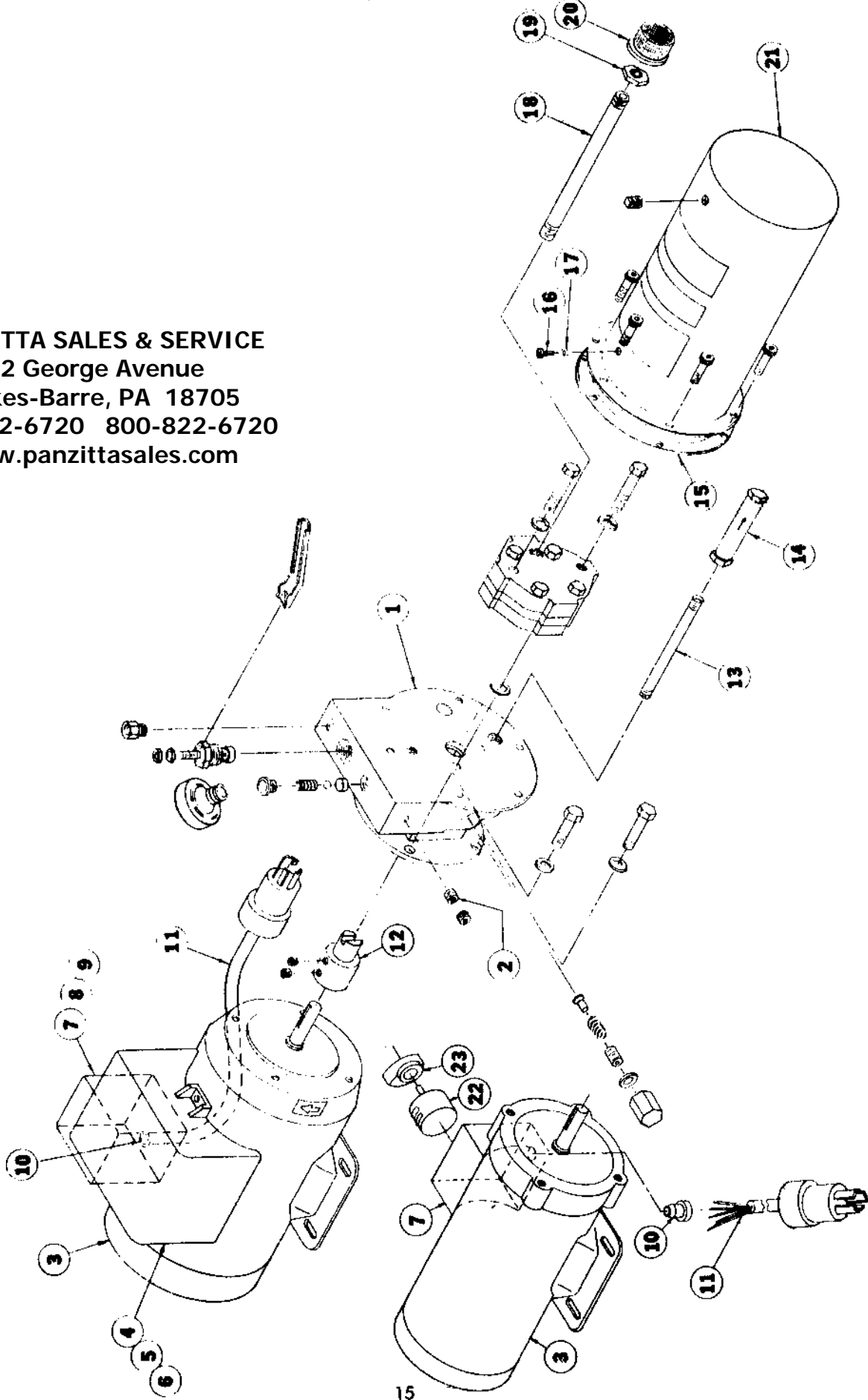
PANZITTA SALES & SERVICE
72 George Avenue
Wilkes-Barre, PA 18705
570-822-6720 800-822-6720
www.panzittasales.com



Code	Part Name	QTY.	NDL5	NDL7
-	Carriage Assembly Includes:	1	82804	82882
1	Carriage Structure	1	82805	82883
2	Bar - Slide	4	82816	82816
3	Bumper Pad	2	82822	82822
4	Latch Assembly	1	82942	82942
-	1-81471 65° Grease Fitting - Drive			
5	Shaft	1	80737	80737
6	Spring - Torsion	2	80739	80739
7	Retaining Ring	2	80738	80738
8	Cam Structure	1	82820	82820
9	Nylock Nut 3/8-16NC	1	81082	81082
10	Cotter Pin 3/32 x 3/4	1	100233	100233
11	Lever - Cam	1	81849	81849

UNIVERSAL POWER UNIT - WEBSTER ELECTRIC
1 PHASE & 3 PHASE BREAKDOWN

PANZITTA SALES & SERVICE
72 George Avenue
Wilkes-Barre, PA 18705
570-822-6720 800-822-6720
www.panzittasales.com



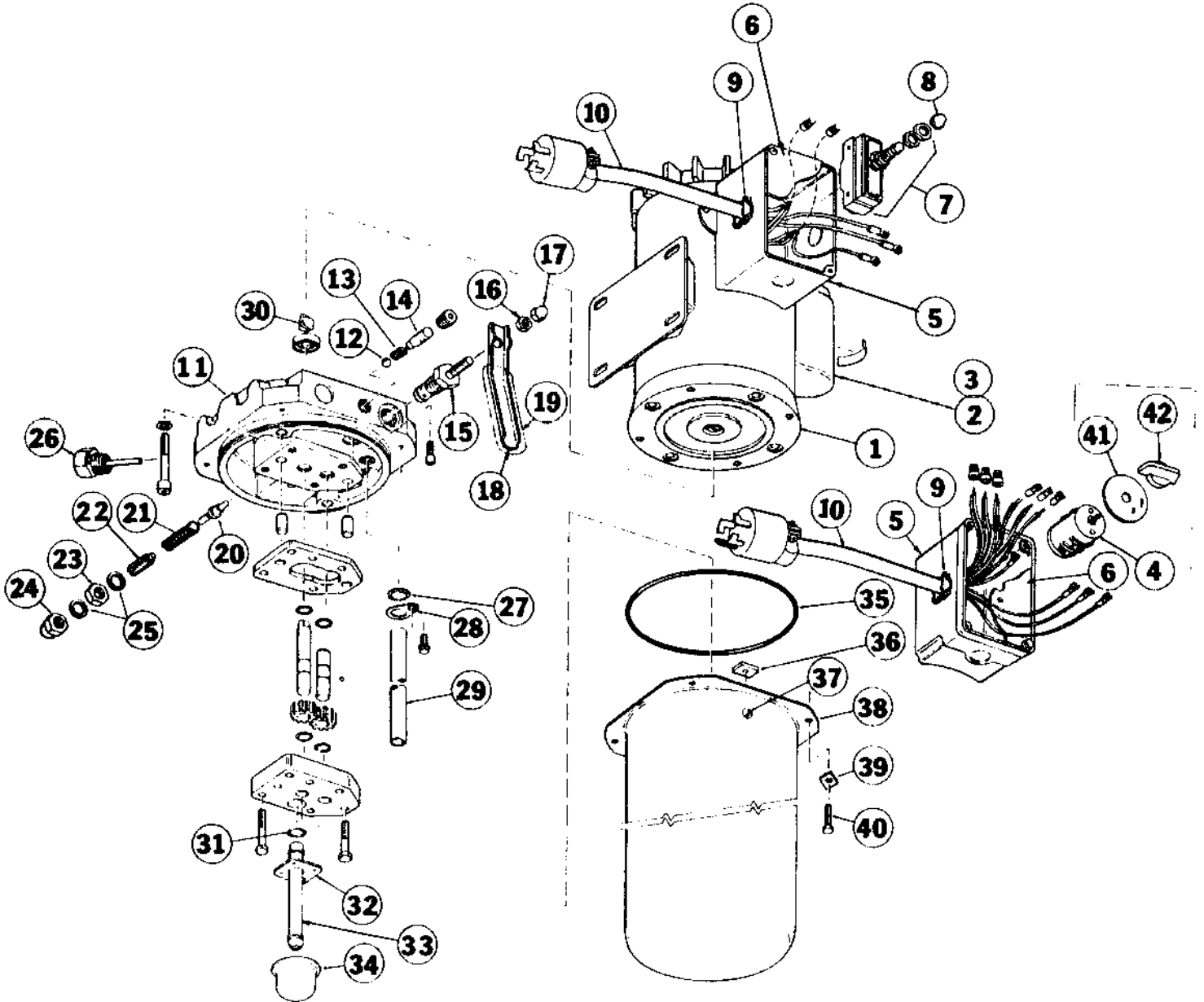
PANZITTA SALES & SERVICE
72 George Avenue
Wilkes-Barre, PA 18705
570-822-6720 800-822-6720
www.panzittasales.com

**1Ø & 3Ø UNIVERSAL POWER UNIT - WEBSTER ELECTRIC
BREAKDOWN**

Code	Part Name	QTY.	1Ø	3Ø
-	Power Unit - Universal, Webster Electric Includes:	1	82957	82958
1	Pump & Mounting Plate Ass'y. (See Breakdown)	1	82497	82497
2	Orifice w/.062 Hole	1	82774	82774
2	Orifice w/.086 Hole	1	82775	82775
2	Orifice w/.093 Hole	1	82776	82776
3	Motor Ass'y. 3450 RPM	1	82071	82496
*4	Motor Capacitor Cover	1	82990	-
*5	Start Capacitor	1	82991	-
*6	Run Capacitor	1	82992	-
*7**	Conduit Box w/Cover	1	82993	82994
*8	Micro Switch, 25 amp	1	80282	-
*9	Switch Boot	1	82072	-
*10**	Strain Relief Bushing	1	80903	82116
*11**	Power Cord Assembly	1	82138	81169
	Plug - Power	1	80467	82521
12	Coupling	1	80900	80900
13	Pipe Nipple 1/4 x 25.5 Long	1	82075	82075
14	Check Valve Assembly	1	82074	82074
15	Gasket	1	80287	80287
16	Pan Head Self-Tap Screw #12	1	80928	80928
17	Gasket	1	80929	80929
18	Pipe Nipple 3/8 x 27 Long	1	82073	82073
19	Nut - Pal Lock 3/8 NPT	1	100083	100083
20	Strainer	1	80285	80285
21	Tank 3.5 Ga.	1	82082	82082
22**	Rotary Switch w/Knob	1	-	82495
23**	Knob - Switch	1	-	82996
*	Parts Included in Motor Assembly 82071 1Ø			
**	Parts Included in Motor Assembly 82496 3Ø			

PANZITTA SALES & SERVICE
72 George Avenue
Wilkes-Barre, PA 18705
570-822-6720 800-822-6720
www.panzittasales.com

UNIVERSAL POWER UNIT - MTE
1 PHASE & 3 PHASE BREAKDOWN



NDL 5 & 7.max

1Ø & 3Ø UNIVERSAL POWER UNIT - MTE
BREAKDOWN - 2 POST

Code	Part Name	QTY.	1Ø	3Ø
-	Power Unit Universal MTE Includes:	1	82963	82964
1	Motor Assembly 3400 RMP	1	82097	82511
*2	Capacitor Cover	1	82997	-
*3	Start Capacitor	1	82998	-
4**	Switch, Rotary	1	-	82518
*5**	Conduit Box	1	83000	83005
*6**	Conduit Box Cover	1	82099	82517
*7	Switch Assembly	1	80282	-
*8	Switch Protector	1	82100	-
*9**	Strain Relief Bushing	1	82111	82519
*10**	Power Cord Assembly	1	83001	83006
	Plug - Power	1	80467	82521
11+	Pump & Mounting Plate Assembly	1	82131	82131
12	Ball	1	82103	82103
13	Spring	1	82104	82104
14	Spring Guide	1	82105	82105
15	Manual Cartridge Valve	1	82088	82088
16	Nut 5/16-18	1	-	-
17	Acorn Nut 5/16-18	1	-	-
18	Lever, Valve	1	82089	82089
19	Grip, Lever	1	83002	83002
20	Valve Poppet	1	82096	82096
21	Spring	1	82109	82109
22	Adjusting Screw	1	82110	82110
23	Hex Jam Nut 1/2-20 NF	1	80759	80759
24	Acorn Nut 1/2-20 NF	1	-	-
25	Washer 1/2	2	-	-
26	Breather	1	81954	81954
27	Star Washer	1	-	-
28	Return Tube Clamp	1	82528	82528
29	Return Tube	1	82530	82530
30	Coupling	1	82098	82098
31	O'Ring	1	82529	82529
32	Clamp, Suction Tube (Purchase w/33 Below)	1	-	-
33	Inlet Tube	1	82531	82531
34	Filter, Strainer	1	82094	82094
35	O'Ring, Reservoir	1	82134	82134
36	Magnet	1	82095	82095
37	Screw, Vent	1	-	-
38	Tank Reservoir 3 1/2 Gal.	1	82092	82092
39	Reservoir Clamp	4	82093	82093
40	Hex Cap Screw	4	-	-
41**	Cover - Switch (Included w/Switch 82518)	1	-	83003
42**	Knob - Switch (Included w/Switch 82518)	1	-	83004
*	Parts Included in Motor Assembly 82097 1Ø			
**	Parts Included in Motor Assembly 82511 3Ø			
+	Codes 12-25 Included in Pump & Mtg. Plate Ass'y. 82131			

PUMP & MOUNTING PLATE ASSEMBLY - WEBSTER ELECTRIC
BREAKDOWN

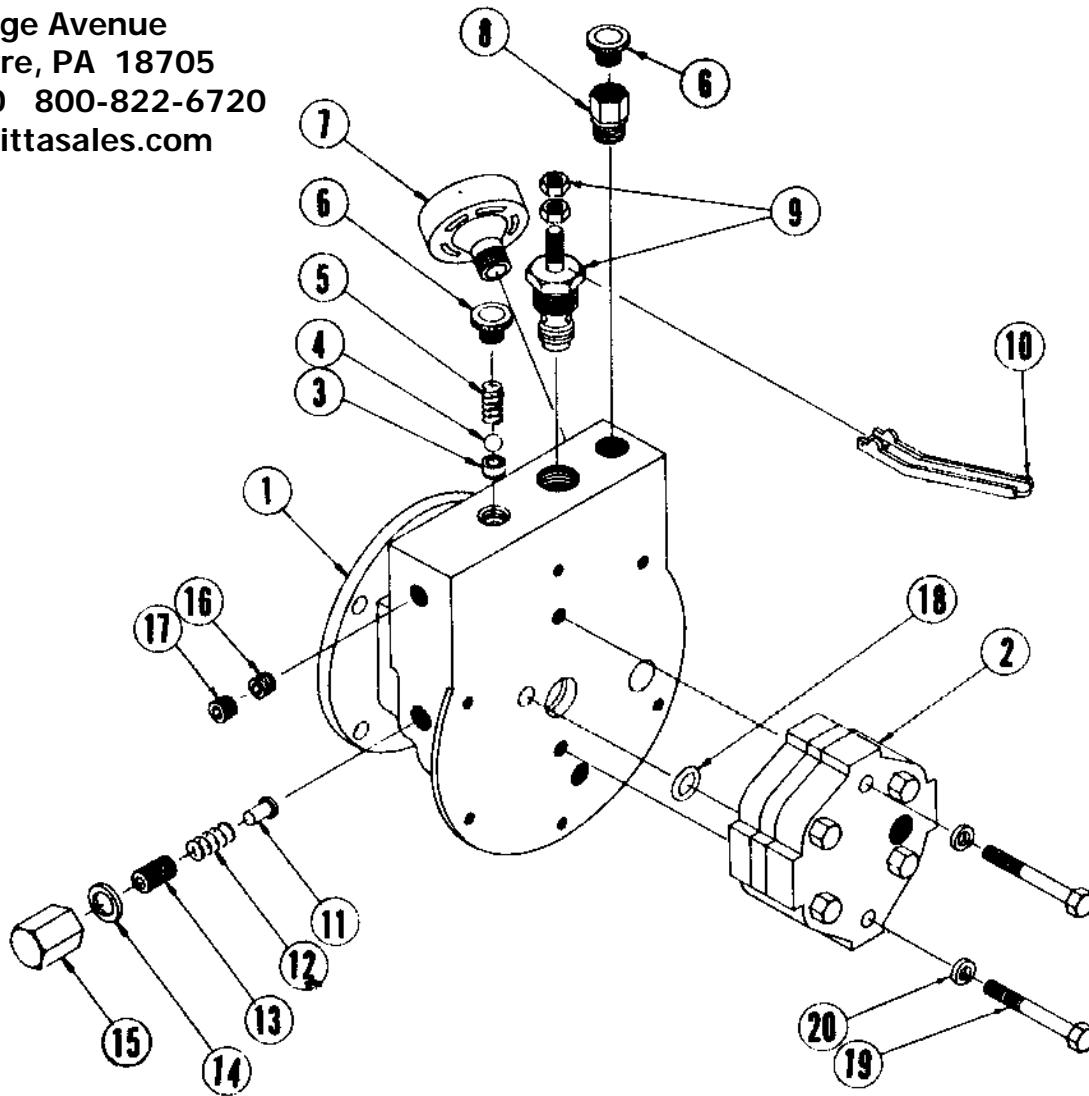
PANZITTA SALES & SERVICE

72 George Avenue

Wilkes-Barre, PA 18705

570-822-6720 800-822-6720

www.panzittasales.com



Code	Part Name	Qty.	Part No.
-	Pump and Mounting Plate Assembly	1	82497
	Consists Of:		
1	Mounting Plate	1	82739
2	Pump	1	81778
3	Check Valve Seat	1	82989
4	Ball 3/8 Dia.	1	82778
5	Spring	1	82777
6	Shipping Plug	2	-
7	Filler Breather	1	80486
8	Adapter w/O'Ring 9/16-18	1	82995
9	Manual Valve Assembly	1	82084
10	Handle	1	82077
11	Poppet Relief Valve	1	80904
12	Spring Relief Valve	1	80905
13	Adjustment Screw Relief Valve	1	80906
14	Gasket Relief Valve	1	80907
15	Cap Relief Valve	1	80908
16	Orifice (See Power Unit Ass'y. Breakdown)	1	-
17	Plug	1	-
18	O'Ring	1	80918
19	Hex Cap Screw	2	-
20	Lock Washer	2	-