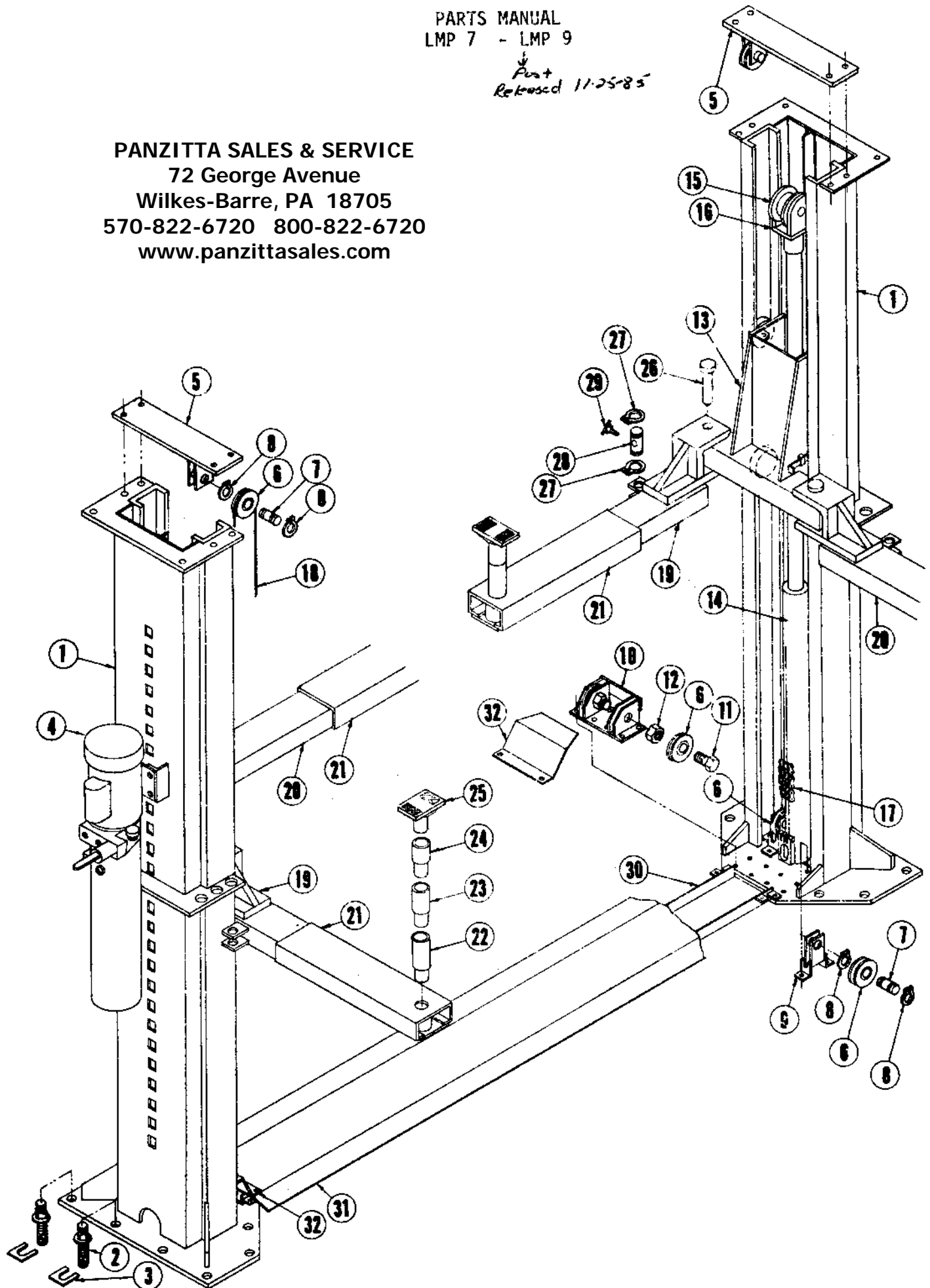


PARTS MANUAL
LMP 7 - LMP 9
Post
Revised 11-25-85

PANZITTA SALES & SERVICE
72 George Avenue
Wilkes-Barre, PA 18705
570-822-6720 800-822-6720
www.panzittasales.com



LIFT PARTS
MODELS LMP 7 - LMP 9

Code	Part Name	QTY.	LMP 7	LMP 9
1	Post Structure	2	81805	81805
2	Anchor Bolt 3/4 x 5	16	80362	80362
3	Shim Kit	1	80589	80589
4	Power Unit (See Breakdown)	1	80474	80474
	Hex Screw 5/16 - 18 NC x 7/8	4	100198	100198
	Lock Washer 5/16	4	100159	100159
	Hex Nut 5/16 - 18 NC	4	100102	100102
#	Connecting Body 1Ø 3 Wire Ground	1	80136	80136
5	Support Str. Top Idler	2	81917	81917
	Hex Screw 1/2 - 13 NCx1 1/2	8	80144	80144
	Lock Washer 1/2	8	100125	100125
	Hex Nut 1/2 - 13 NC	8	100124	100124
6	Idler Assembly - Cable	10	81924	81924
	1-81925 Idler			
	1-80695 Bushing			
7	Pin - Idler	6	81819	81819
8	Retaining Ring - Wide 3/4	12	80864	80864
9	Idler Support Structure - Lower	4	81816	81816
	Hex Screw 1/2 - 13 NC x 3/4	8	100035	100035
	Lock Washer 1/2	8	100125	100125
10	Idler Support Str. Lower - Auxiliary	2	81940	81940
	Hex Flange Hd. Self Lock Screw 3/8-16NC x 3/4 Gr.5	16	100240	100240
11	Hex Screw 3/4-16NF x 1 3/4 Gr.5	4	80457	80457
12	Nylock Nut - Thin 3/4 - 16 NF	4	80034	80034
13	Carriage Assembly (See Breakdown)	2	81824	81824
14	Hydraulic Cylinder	2	81821	81921
	Hex Fl. Hd. Self Lock Screw 3/8-16NC x 3/4 Gr. 5	2	100240	100240
	Seal Kit (For Replacement Only)	1	81913	81922
15	Roller Assembly - Cylinder	2	80721	80721
	1-80577 Roller			
	2-80171 Bearing			
16	Cylinder End Str.	2	80675	80675
	Spacer - Roller	2	80227	80227
	Pin - Cylinder End	2	81822	81822
	Retaining Ring - Wide 3/4	4	80864	80864
17	Chain - Leaf 3 & 4	2	81823	81823
	Sp. Hd. Cap Screw 5/16-18NC x 1 3/4 Special	2	81185	81185
	Sp. Hd. Cap Screw 5/16-18NC x 2 3/4 Special	2	81907	81907
	Hex Nut - Nylock 5/16-18NC	4	80064	80064
18	Cable Assembly	2	81920	81926
	Hex Nut	8	100157	100073
	Flat Washer	8	100141	-
19	LH Arm Structure	2	81867	81867
20	RH Arm Structure	2	81863	81868
21	Arm Extension Structure	4	81876	81876
22	5" Extension Structure	4	81691	81691
23	3 1/2" Extension Structure (Optional)	4	81692	81692
24	2 5/8" Extension Structure	4	81693	81693
25	Pad	4	81690	81690
26	Pie Structure	4	81885	81885

PANZITTA SALES & SERVICE
 72 George Avenue
 Wilkes-Barre, PA 18705
 570-822-6720 800-822-6720
 www.panzittasales.com

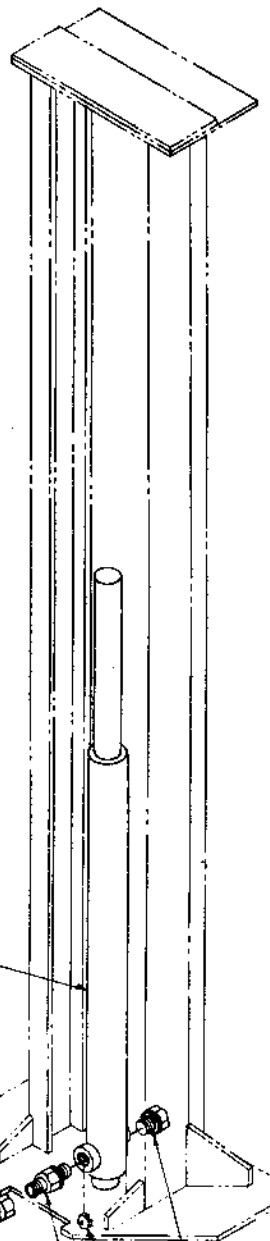
LIFT PARTS
 MODEL LMP 7 - LMP 9

Code	Part Name	QTY.	LMP 7	LMP 9
27	Retaining Ring 1 1/8 Heavy	8	81882	81882
28	Pin - Arm	4	81881	81881
29	T-Screw Structure	4	81883	81883
30	Trough Structure	1	81945	81945
	Hex Screw 3/8 - 16NC x 3/4	4	100179	100179
	Lock Washer 3/8	4	100119	100119
	Flat Washer 16 Ga.	4	100082	100082
31	Cover - Drive Over	1	81947	81947
32	Cover - Bottom Idler	2	81948	81948
	Hex Screw 3/8 - 16NC x 1/2 (Covers)	4	80814	80814
	Lock Washer 3/8 External Tooth	4	100046	100046
	Flat Washer	4	100082	100082

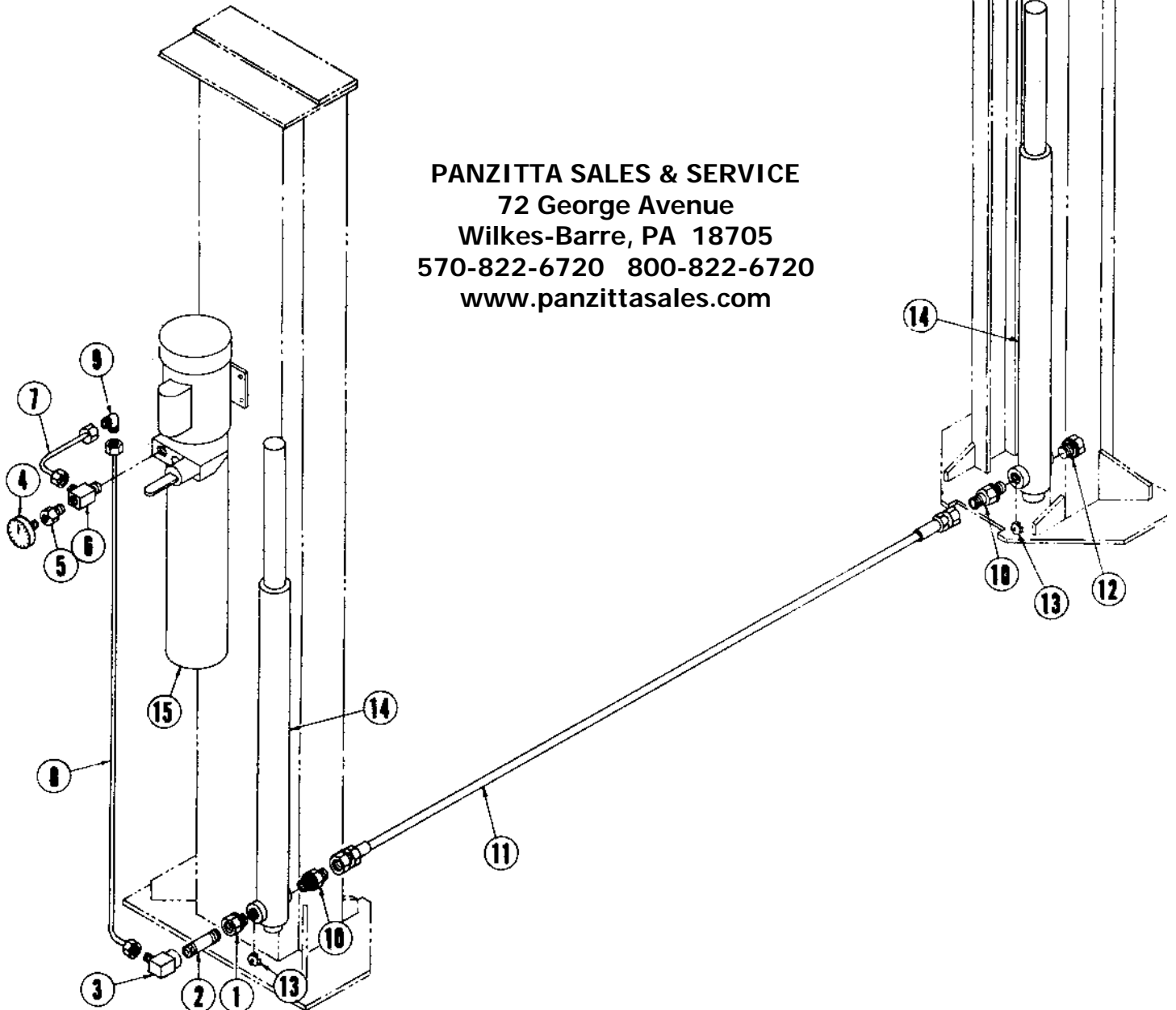
LMP 7-9 AFTER 41833.max

HYDRAULIC LAYOUT LMP 7 - LMP 9

Code	Part Name	QTY.	LMP 7	LMP 9
1	Female Adapter 9/16 ORB x 1/4 NPT (F)	2	80992	80992
2	Pipe Nipple 1/4 x 5	2	100225	100225
3	90° Elbow 3/4 JIC x 1/4 NPT (F)	2	100227	100227
4	Dry Pressure Gauge 1/4 NPT Connection	1	80124	80124
5	Reducer Bushing 3/8 NPT x 1/4 NPT	1	80735	80735
6	Run Tee 3/8 NPT x 3/4 JIC	1	80132	80132
7	Tube Ass'y (Upper) 1/2 OD - 3/4 - 16 JIC	1	81894	81894
8	Tube Ass'y. 1/2 OD - 3/4 - 16 JIC	1	81896	81896
9	90° Elbow 3/4 JIC	1	81929	81929
10	Tube Union 9/16 ORB x 9/16 JIC	2	60544	60544
11	Hose Assembly 3/8 Hose - 9/16 JIC	1	81916	81916
12	Plug 9/16 ORB	1	100026	100026
13	Drifite	2	81959	81959
14	Hydraulic Cylinder 9/16 ORB Ports	2	81821	81921
15	Power Unit 10 - 3 Gal. Reservoir	1	80474	80474

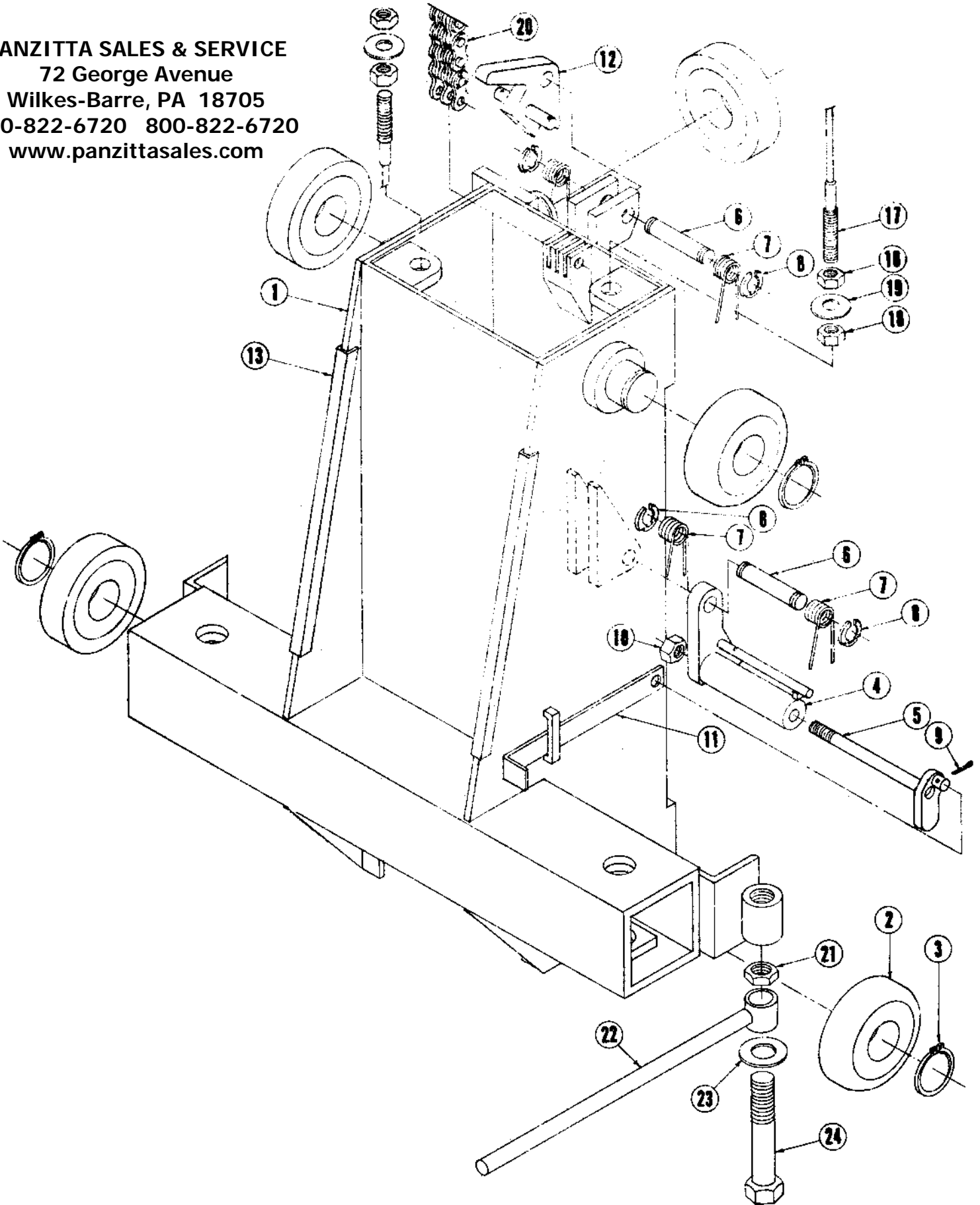


PANZITTA SALES & SERVICE
 72 George Avenue
 Wilkes-Barre, PA 18705
 570-822-6720 800-822-6720
www.panzittasales.com



CARRIAGE ASSEMBLY
MODELS LMO 7 & 9 - LMP 7 & 9

PANZITTA SALES & SERVICE
72 George Avenue
Wilkes-Barre, PA 18705
570-822-6720 800-822-6720
www.panzittasales.com



PANZITTA SALES & SERVICE
 72 George Avenue
 Wilkes-Barre, PA 18705
 570-822-6720 800-822-6720
 www.panzittasales.com

CARRIAGE ASSEMBLY
 MODEL LMO 7-9 - LMP 7-9

Code	Part Name	QTY.	LMO 7 LMP 7	LMO 9 LMP 9
-	Carriage Assembly - LMO 7-9 LMP 7-9	2	81824	81824
	Consists of Codes 1 Thru 13			
1	Carriage Structure	1	81825	81825
2	Bearing - Mast Guide 3.72 O.D.	6	81446	81446
3	Retaining Ring 1 3/8	6	100089	100089
4	Latch Structure	1	81837	81837
5	Cam Structure	1	81842	81842
6	Shaft - Pivot Latch	2	80737	80737
7	Spring - Torsion	4	80739	80739
8	Retaining Ring 1/2	4	80738	80738
9	Cotter Pin 3/32 x 3/4	1	100233	100233
10	Nylock Nut 3/8-16NC	1	81082	81082
11	Lever - Cam	1	81849	81849
12	Latch Structure - Slack Chain	1	81846	81846
13	Bumper Pad	2	81850	81850
17	Cable Assembly	1	81887	81927
18	Hex Nut	4	100157	100073
19	Flat Washer 17/32 I.D.	2	100141	-
20	Chain 4/3	1	81823	81823
21	Jam Nut Light 3/4-16NF	2	100114	100114
22	Rod Structure - Arm Stop	2	81888	81888
23	Flat Washer 13/16 I.D.	2	80037	80037
24	Hex Screw 3/4-16NF x 5 Gr.5	2	80799	80799

LMP 7-9 AFTER 41833.max

PANZITTA SALES & SERVICE

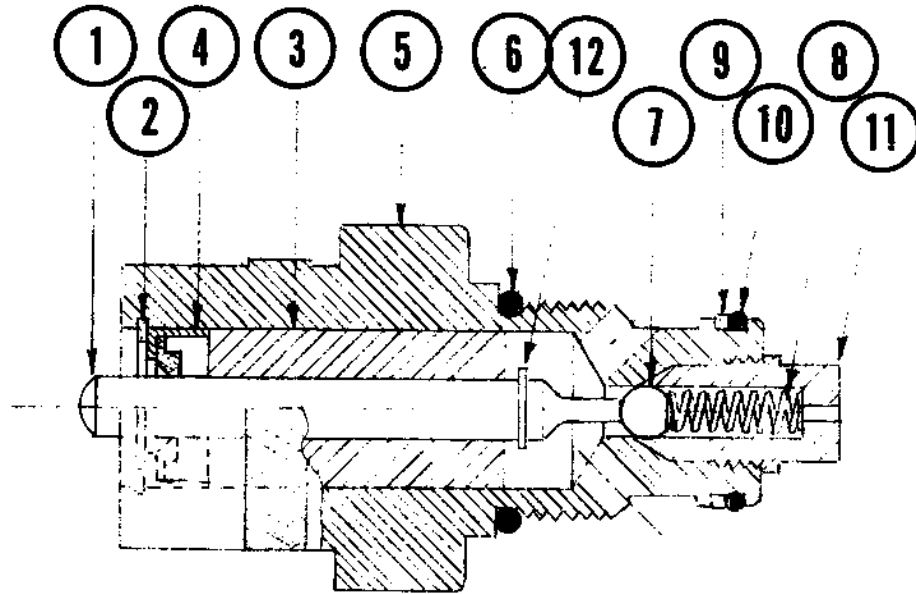
72 George Avenue

Wilkes-Barre, PA 18705

570-822-6720 800-822-6720

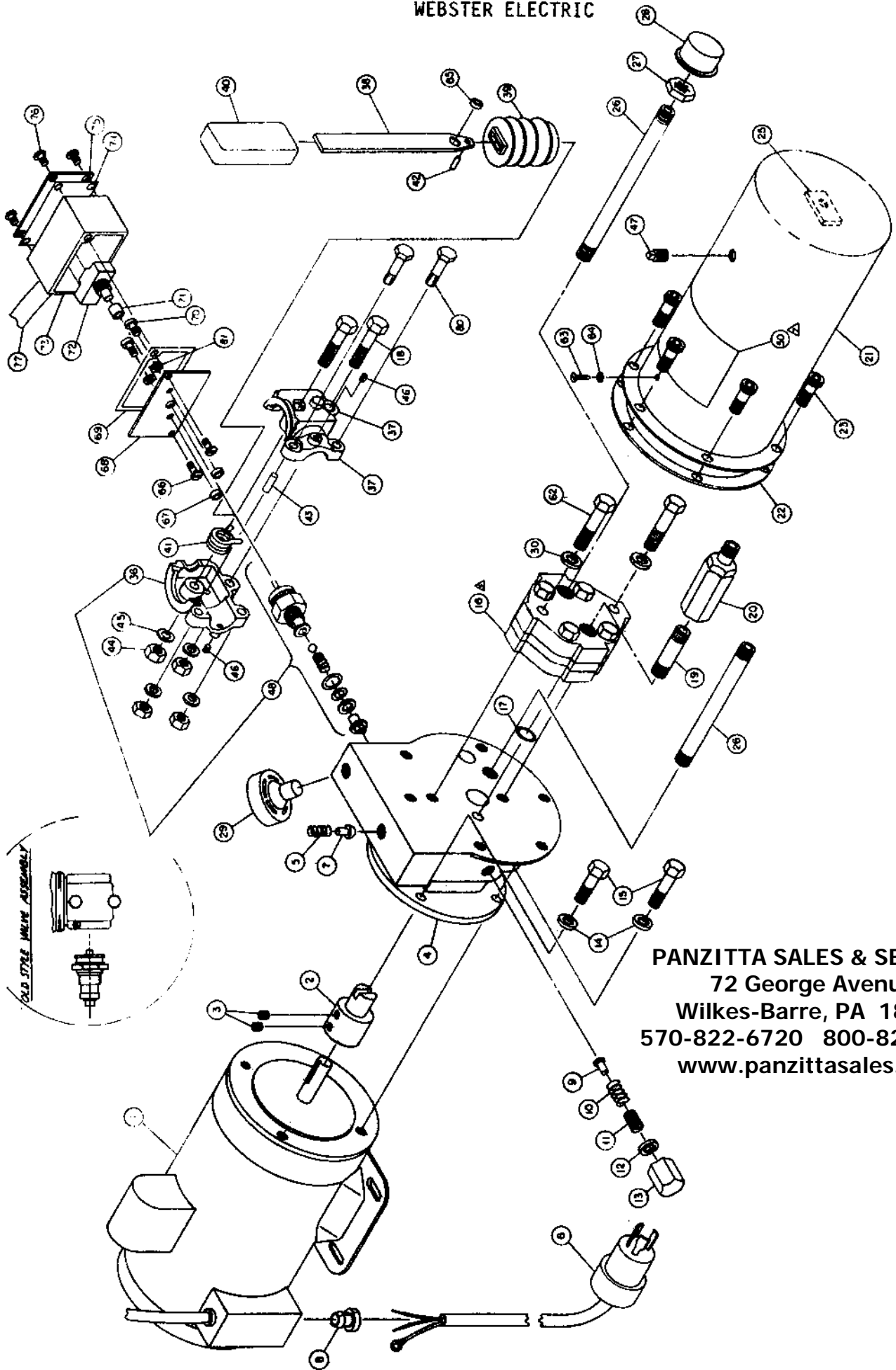
www.panzittasales.com

**MANUAL RELEASE VALVE ASSEMBLY
POWER UNIT**



Code	Part Name	Qty.	Part No.
--	Manual Release Valve Assembly	1	81783
	Consists Of:		
1	1 - Rod		
2	1 - 80293 Retaining Ring		
3	1 - Rod Guide		
4	1 - 80279 Shaft Seal		
5	1 - Valve Body		
6	1 - 80276 O-Ring		
7	1 - 80480 Ball		
8	1 - 80481 Spring		
9	1 - 80278 Back Up Ring		
10	1 - 80277 O-Ring		
11	1 - 80771 Plug (.067)		
12	1 - Retaining Ring		

POWER UNIT BREAKDOWN
WEBSTER ELECTRIC



PANZITTA SALES & SERVICE
72 George Avenue
Wilkes-Barre, PA 18705
570-822-6720 800-822-6720
www.panzittasales.com

PANZITTA SALES & SERVICE
72 George Avenue
Wilkes-Barre, PA 18705
570-822-6720 800-822-6720
www.panzittasales.com

POWER UNIT - WEBSTER ELECTRIC
BREAKDOWN (Continued)

Code	Part Name
47	1-80931 Socket Pipe Plug 3/8 NPT
48	1-81783 Manual Release Valve (See Breakdown)
62	2-81784 Hex Machine Screw 1/4 20 x 3 1/4
63	1-80928 Pan Hd. Self Tap Screw #12 x 3/4
64	1-80929 Vent Screw Gasket
65	1-80776 Bushing - Handle
66	2-80928 Pan Hd. Self Tap Screw #12 x 3/4
67	2-81162 Spacer
68	1-81166 Switch Plate
69	1-81163 Gasket - Plate
70	2-81785 Soc. Hd. Mach Screw
71	1-81164 Spacer - Switch
72	1-80282 Switch
73	1-81165 Wiring Box
74	1-80924 Gasket - Cover
75	1-80925 Box Cover
76	4-80926 Self Tapping Screw #8 x 1/2
77	1- Switch Cord
78	1-81161 Switch/Plate Ass'y. Consists Of: Items 67,68,70,71,72-81
79	1-80922 Switch/Plate Ass'y. Consists Of: Items 66,68,69,71,72,73-77.
80	2-100208 Hex Screw 1/4-20NC x 1 1/4
81	2-100171 Lock Washer #8
#	1-81787 Pump and Mounting Plate Ass'y.
#	1-81789 Manual Release Lever Ass'y. Includes: 18-36-37-38-39-40-41-42-43 44-45-46-65-80
#	Not Shown