

PANZITTA SALES & SERVICE
72 George Avenue
Wilkes-Barre, PA 18705
570-822-6720 800-822-6720
www.panzittasales.com



June 1985

T
U
B
E
M
A
S
T
E
R

PARTS MANUAL

BEN PEARSON TUBEMASTER LIFT

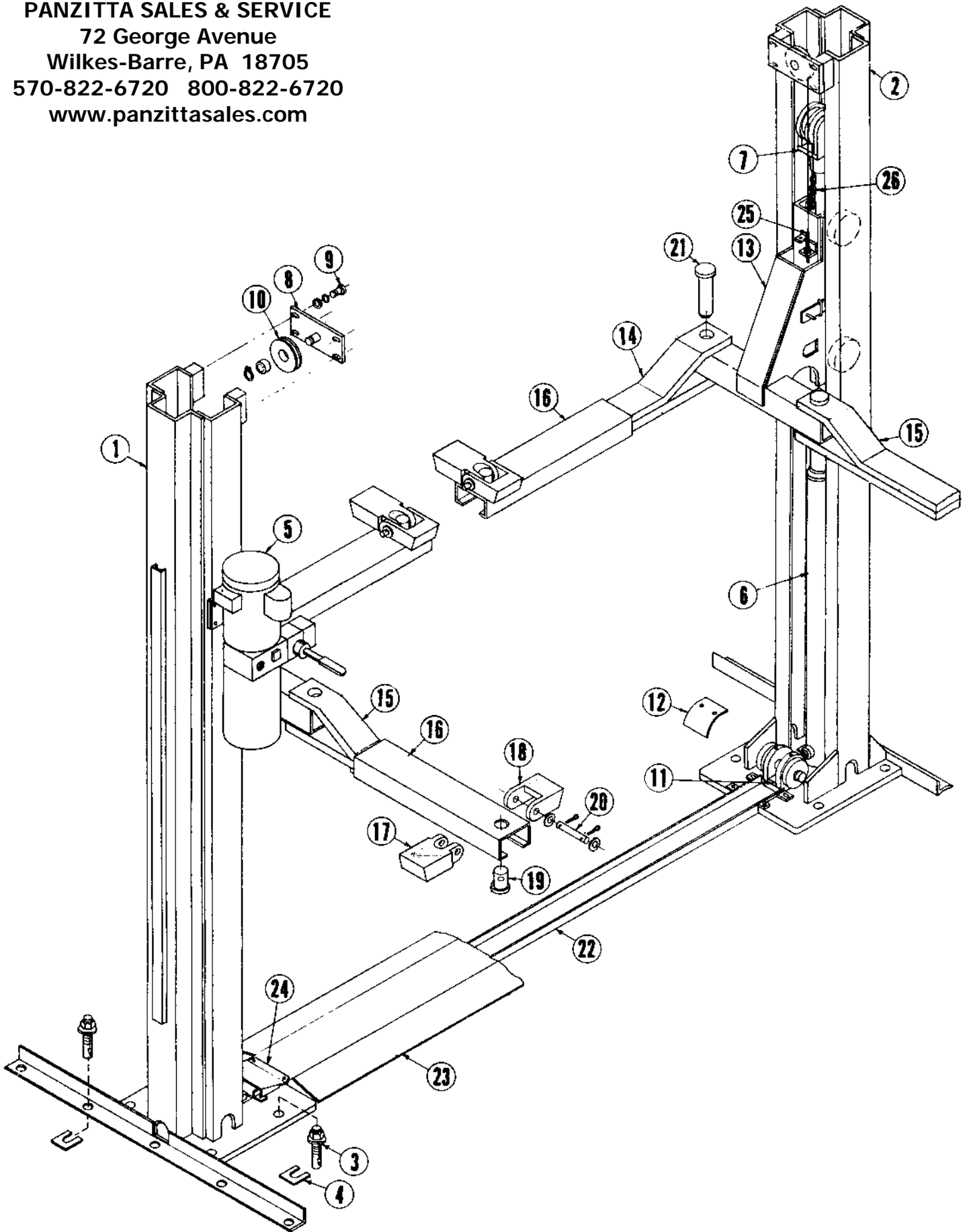
MODEL LMP7

MODEL LSP7

MODEL LMP9 (Starting W/S.N. 40506)

MODEL LMP7 LIFT

PANZITTA SALES & SERVICE
72 George Avenue
Wilkes-Barre, PA 18705
570-822-6720 800-822-6720
www.panzittasales.com



Code	Part Name	Qty.	Part No.
1	Post Structure Main (W/Power Unit Mount)	1	81430
2	Post Structure Off-Side	1	81431
3	Anchor Bolt 3/4-10NC x 5	18	80362
4	Shim Kit (Under Post)	1	80701
5	Power Unit 1-1/2HP-10-3 Gal. Res. (See Breakdown)	1	80474
	Connecting Body 10	1	80136
	Hex Screw (Mount P.U.) 5/16-18NC x 7/8	4	CP-3623
	Flat Washer	4	11295
	Lock Washer 5/16	4	CP-1677
	Hex Nut 5/16-18NC	4	CP-4401
6	Hydraulic Cylinder	2	80674
	Collar	2	80863
	Hex Screw (Mount Cyl.) 3/8-16NC x 1 Gr. 5	4	12970
	Flat Washer (Mt. Cyl.)	4	10643
	Lock Washer (Mt. Cyl.) 3/8	4	CP-573
	Seal Kit (Replacement Only)	1	80748
7	Cylinder End Structure	2	80675
	Roller Assembly	2	80721
	1 - 80677 Roller		
	2 - 80171 Bearing		
	Spacer	2	80227
	Hex Screw 3/4-16NF x 4 Gr. 5	2	80033
	Hex Nut-Nylock 3/4-16NF	2	17253
8	Idler Support Structure	2	80687
9	Hex Screw 1/2-13NC x 1-1/4 Gr. 5	8	13571
	Flat Washer	8	CP-7231
	Lock Washer 1/2	8	CP-66
10	Idler - Cable	2	80694
	Bushing - Idler	2	80695
	Retaining Ring	2	80864
11	Pivot Structure-Idler	2	80691
	Idler - Cable	4	80694
	Bushing - Idler	4	80695
	Retaining Ring	4	80864
	Hex Screw (Mount Pivot) 1/2-13NC x 1 Gr. 8	4	81421
	Lock Washer (Mt. Pivot) 1/2	4	CP-66
12	Cover - Idler	2	80698
	Hex Screw 1/4-20NC x 1/2	4	CP-1997
13	Carriage Assembly (See Breakdown)	2	81448
14	Arm Structure - Front (Short)	2	80710
15	Arm Structure - Rear (Long)	2	80704
16	Arm Extension Structure	4	80713
17	Flip Up Pad - Long	4	80976
18	Flip Up Pad - Short	4	80977
19	Pin Structure - Flip Up Pad	4	80978
20	Pin	4	80260
	Flat Washer	8	CP-7237
	Cotter Pin	8	CP-2563
21	Pin Structure - Arm	4	80684

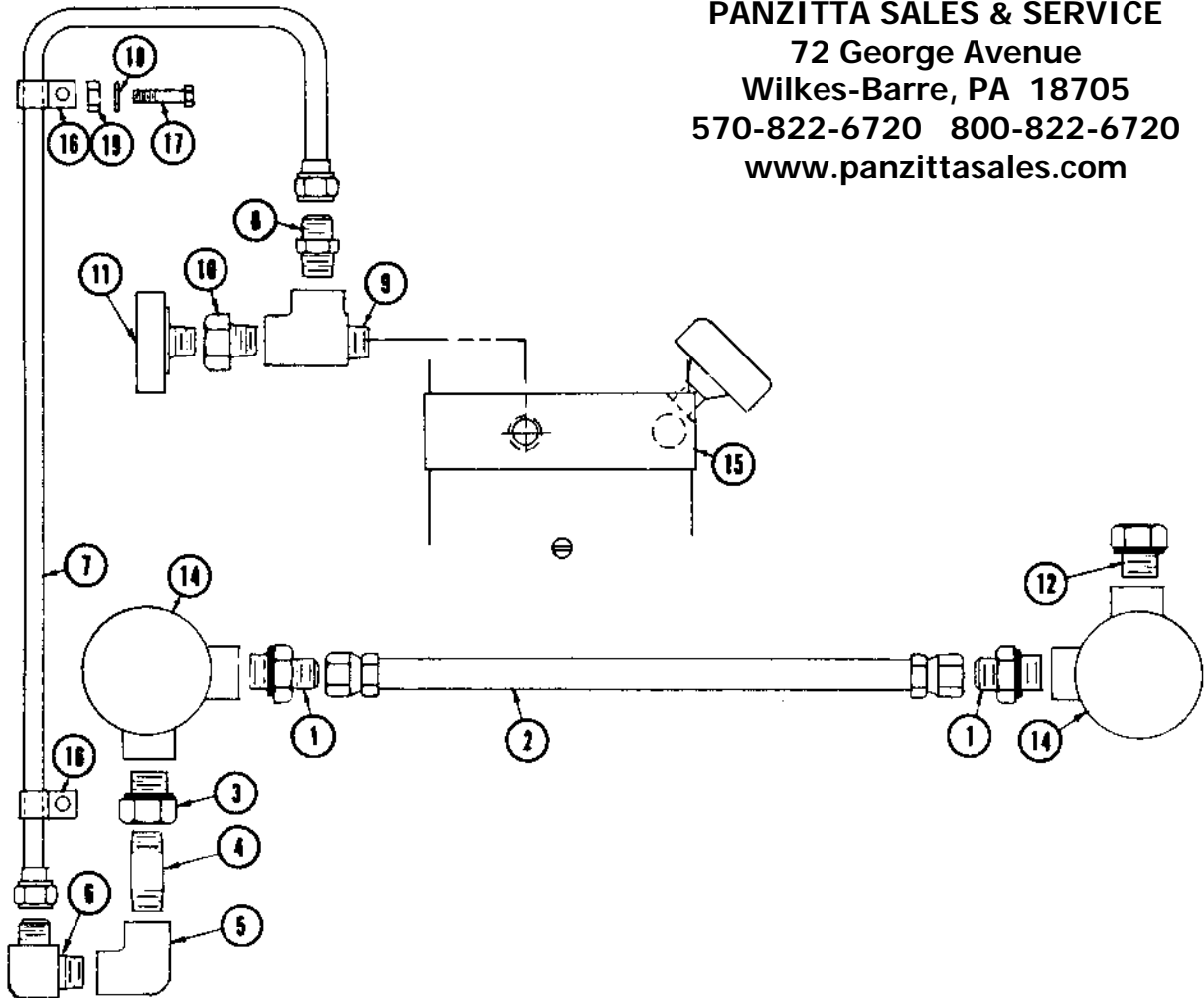
PANZITTA SALES & SERVICE
 72 George Avenue
 Wilkes-Barre, PA 18705
 570-822-6720 800-822-6720
 www.panzittasales.com

LIFT PARTS
MODEL LMP7

Code	Part Name		Qty.	Part No.
22	Trough Structure		1	80670
	Hex Screw	3/8-16NC x 1 Gr. 5	4	12970
	Lock Washer	3/8	4	CP-573
	Flat Washer		4	10643
23	Cover - Drive Over		1	80718
24	End Cover - Hose		2	80820
	Hex Screw	3/8-16NC x 1/2 Gr. 5	4	80814
	Lock Washer	3/8 External Tooth	4	VP-404
25	Cable Assembly		2	80696
	Jam Nut	1/2-20 NF	8	80759
26	Chain		2	80750
	Soc. Hd. Cap Screw	5/16-18NC x 1-1/2(Special)	2	80751
	Hex Nut - Nylock	5/16-18NC	2	80064
OPTIONAL EQUIPMENT				
	1-1/2 HP Power Unit	3Ø-60Hz - 230V	1	80475
	Connecting Body	3Ø - 4 wire ground	1	80140

HYDRAULIC DIAGRAM LMP7 - LSP7
Layout #80730

PANZITTA SALES & SERVICE
72 George Avenue
Wilkes-Barre, PA 18705
570-822-6720 800-822-6720
www.panzittasales.com



Code	Part Name		Qty.	Part No.
1	Connector - Male	3/4-16 ORB x 9/16 JIC	2	61326
2	Hose Ass'y (Cross-over)	3/8ID-9/16 JIC FS	1	80731
3	Adapter Bushing	3/4-16 ORB x 1/2 NPT	1	60413
4	Nipple	1/2 NPT - 3 1/2 Long	1	81002
5	90° Elbow - Female	1/2 NPT	1	80734
6	90° Elbow - Male	1/2 NPT x 9/16 JIC	1	60053
7	Tube Ass'y	3/8OD - 9/16 JIC Nut	1	80732
8	Adapter - Male	9/16 JIC x 3/8 NPT	1	60052
9	Run Tee - Male	3/8 NPT	1	60545
10	Reducer Bushing	3/8 NPT x 1/4 NPT	1	80735
11	Dry Pressure Gauge	1/4 NPT Stem	1	80124
12	Plug	3/4-16 ORB	1	80157
14	Hydraulic Cylinder		2	80674
15	Power Unit		1	80474
16	Hose Clamp		2	80839
17	Hex Screw	3/8-16NC x 1 Gr. 5	2	12970
18	Lock Washer	3/8	2	CP-573
19	Hex Nut	3/8-16NC	2	CP-668

PANZITTA SALES & SERVICE
 72 George Avenue
 Wilkes-Barre, PA 18705
 570-822-6720 800-822-6720
 www.panzittasales.com

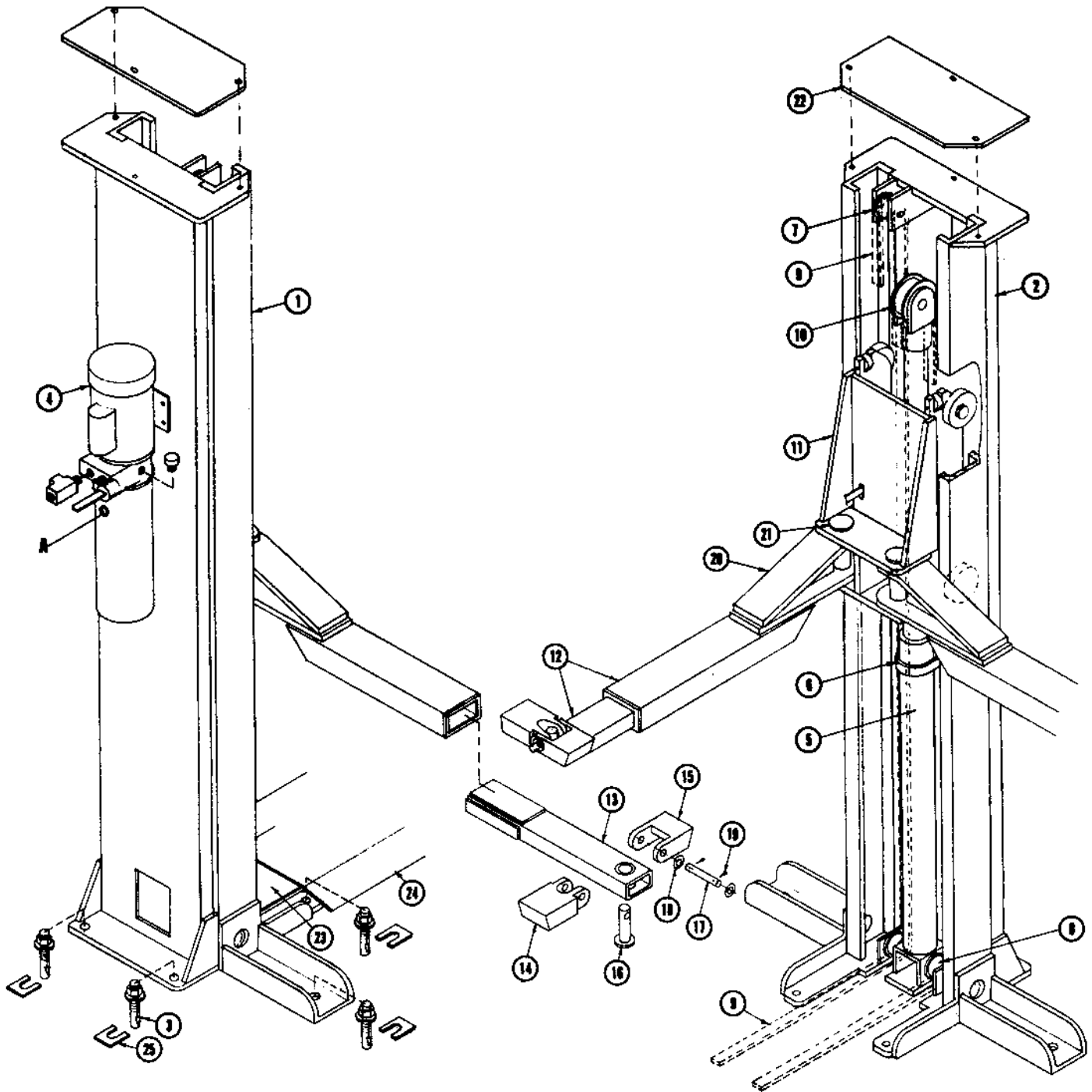
CARRIAGE ASSEMBLY

MODEL LMP7- LSP7

Code	Part Name	Qty.	Part No.
-	Carriage Assembly	2	81448
	Consists of Codes 1 Thru 24		
1	Carriage Structure	1	80659
2	Bearing - Mast Guide - 3.72 Dia.	4	81446
3	Retaining Ring	6	CP-8634
4	Bumper Strip	2	80758
5	Latch Structure	1	80680
6	Shaft - Latch Pivot	1	80737
7	Spring - Torsion	2	80739
8	Retaining Ring 1/2	2	80738
9	Bar - Latch	1	80686
10	Retaining Ring 3/8	1	80683
11	Rod. Structure - Release	1	80723
12	Spring - Compression	2	80700
13	Cotter Pin 1/8 x 3/4	1	CP-2563
14	Rod. Structure - Trip Linkage	1	80782
15	Hex Nut 5/16-18NC	1	CP-4401
16	Trip Nut - (Special) 5/16-18NC	1	80747
17	Pivot Structure - Slack Chain	1	80678
18	Bar - Lifting	1	80755
19	Tensioning Structure	1	80752
20	Hex Nut 3/8-16NC	2	CP-668
21	Bearing - Mast Guide 4.0 Dia.	2	80175
22	Soc. Hd. Cap Screw 5/16-18NC x 2 (Special)	1	80756
23	Hex Screw 5/16-18NC x 1-1/4 Gr. 5	2	15023
24	Hex Nut - Nylock 5/16-18NC	3	80064
27	Chain - Lifting	2	80750
28	Cable Assembly	2	80696
29	Jam Nut 1/2-20NF	8	80759

PANZITTA SALES & SERVICE
72 George Avenue
Wilkes-Barre, PA 18705
570-822-6720 800-822-6720
www.panzittasales.com

MODEL LMP9 LIFT
80168

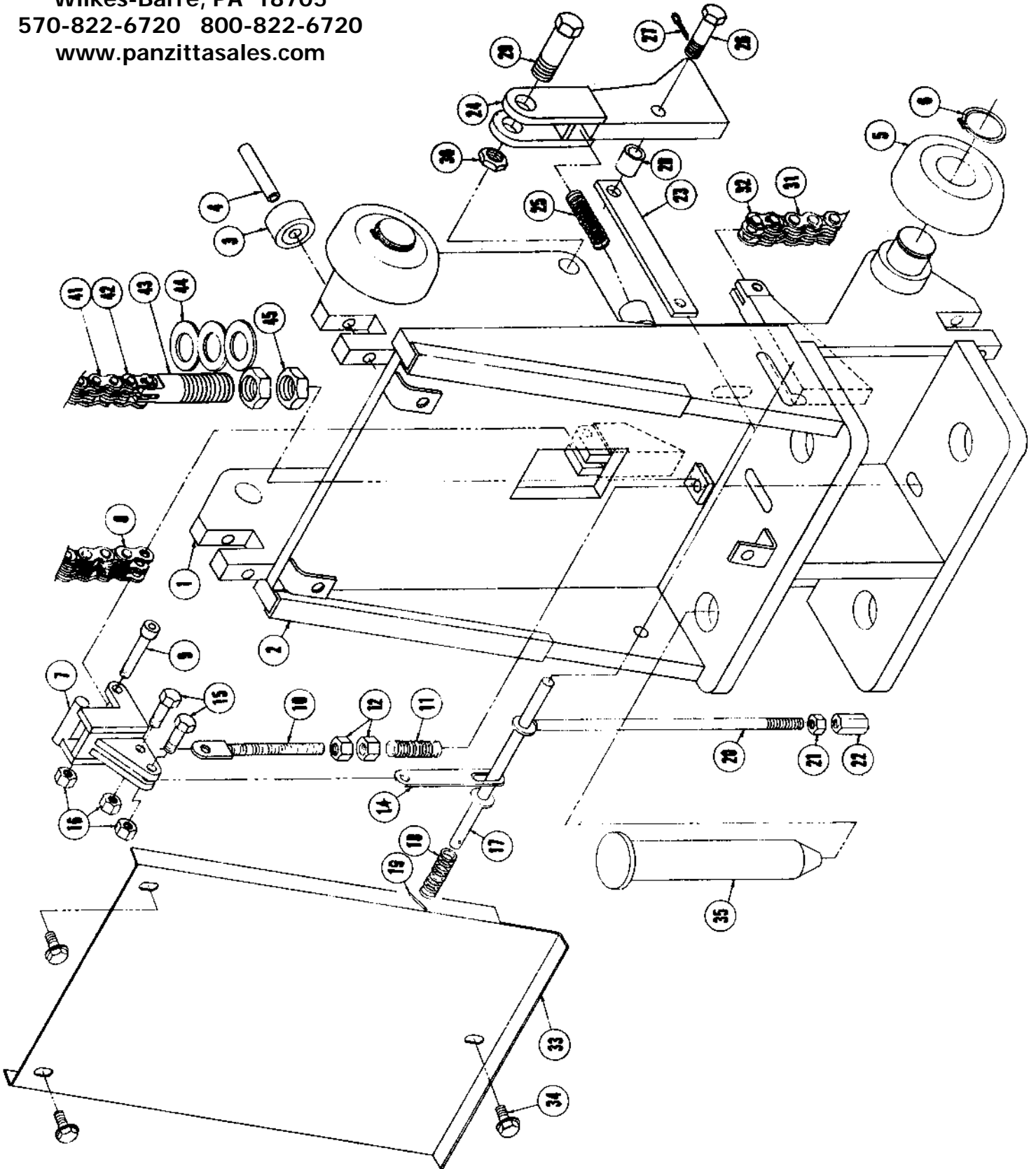


LIFT PARTS
MODEL LMP9

Code	Part Name	Qty.	Part No.
1	LH Post Structure (Main)	1	80202
2	RH Post Structure (Off-Side)	1	80203
3	Anchor Bolt 3/4 x 5	14	80362
4	Power Unit 1 1/2 HP-1Ø (See Breakdown) 3 gal. Res.	1	80474
	Hex Screw(Mt. Power Unit) 5/16-18NC x 7/8	4	CP-3623
	Lock Washer 5/16	4	CP-1677
	Hex Nut 5/16-18 NC	4	CP-4401
	Connecting Body 1Ø-3 Wire Ground	1	80136
5	Hydraulic Cylinder	2	80800
	Seal Kit (Replacement Only)	-	80813
6	Strap-Cylinder	2	80220
	Hex Screw 5/16-18 NC x 1	4	CP-5247
	Lock Washer 5/16	4	CP-1677
	Hex Nut 5/16-18 NC	4	CP-4401
7	Yoke Roller (Upper)	2	80028
	Hex Screw 3/4-16 NF x 3 Gr. 5	2	80032
	Hex Nylock Nut (Thin) 3/4-16 NF	2	80034
8	Yoke Roller (Lower)	4	80028
	Hex Screw 3/4-16 NF x 3 1/2 Gr. 5	4	80039
	Hex Nylock Nut (Thin) 3/4-16 NF	4	80034
9	Equalizer Chain Ass'y. (Long) Consists of:	2	80254
	1 - 80268 Chain 3 & 4		
	1 - 80139 Connecting Link		
	1 - 80023 Bolt		
	Hex Jam Nut 1-14 NS	4	CP-6837
	Flat Washer (Spacer)	6Est.	CP-733
10	Cylinder End and Roller (See Breakdown)	2	-
11	Carriage Assembly (See Breakdown)	2	80201
12	Assembly - Lift Arm W/Extension & Pads	4	80263
13	1 - 80256 Arm Extension Str. <i>160.00</i>		
14	1 - 80976 Flip Up Pad-Long <i>Net.</i>		
15	1 - 80977 Flip Up Pad-Short <i>Net.</i>		
16	1 - 81187 Pin Str. - Pad Retainer <i>Net.</i>		
17	1 - 80260 Pin - Flip-Up Pad <i>Net.</i>		
18	2 - CP-7237 Flat Washer		
19	2 - CP-2563 Cotter Pin 1/8 x 3/4		
20	1 - 80304 Lift Arm Structure <i>310.50</i>		
21	Pin Structure (Included in Carriage Assembly)	4	80312
22	Cover - Top	2	80246
	Hex Screw 1/2-13 NC x 1 1/2	6	80144
	Whiz Lock Nut 1/2-13 NC	6	17142
23	Channel Str. - Chain Trough	1	80249
24	Cover - Chain Trough	1	80252
	Hex Screw (Mount Cover) 3/8-16 NC x 3/4	4	CP-2684
	Flat Washer (Mount Cover)	4	CP-1521
	Lock Washer (Mount Cover) 3/8	4	CP-573
#	Side Cover (Bottom)	2	80253
25	Shim Kit (Under Post)	1	80589
OPTIONAL EQUIPMENT			
	1 1/2 HP Power Unit 3Ø-60 Hz - 230V	1	80475
	Connecting Body 3Ø-4 Wire Ground	1	80140

CARRIAGE ASSEMBLY
MODEL LMP 9
#80201

PANZITTA SALES & SERVICE
72 George Avenue
Wilkes-Barre, PA 18705
570-822-6720 800-822-6720
www.panzittasales.com

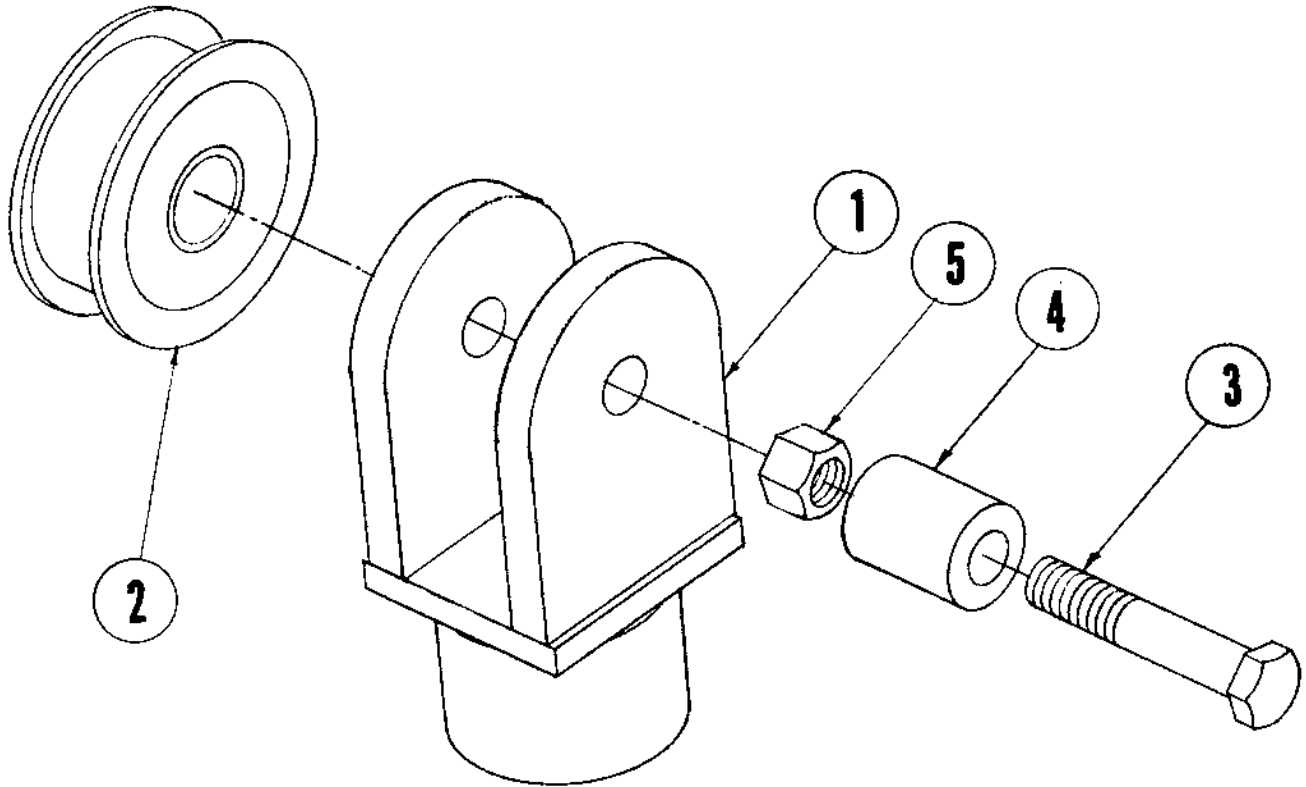


CARRIAGE ASSEMBLY
MODEL LMP9

Code	Part Name	Qty.	Part No.
-	Carriage Assembly	2	80201
	Consists of Codes 1 Thru 35:		
1	Carriage Structure	1	80228
2	Bumper Pad	2	80745
3	Cam Yoke Roller	4	80176
4	Spirol Pin 7/16 x 2 1/2	4	80190
5	Bearing - Mast Guide	4	80175
6	Retaining Ring	4	CP-8634
7	Pivot Str. - Slack Chain	1	81027
8	Chain - Lifting 4 x 6 Leaf	1	81033
#	Connecting Link	1	80255
9	Soc. Hd. Screw - Special 5/16-18 NC x 2 1/2	1	80063
10	Tensioning Structure	1	80752
11	Spring - Compression	1	80700
12	Hex Nut 3/8-16 NC	2	CP-668
14	Lifting Bar	1	81037
15	Hex Screw 5/16-18 NC x 1 1/4 Gr.5	2	15023
16	Hex Nut - Nylock 5/16-18 NC	3	80064
17	Release Rod Structure	1	81031
18	Spring - Compression	1	80700
19	Cotter Pin 1/8 x 3/4	1	CP-2563
20	Rod Structure	1	81038
21	Hex Nut 5/16-18 NC	1	CP-4401
22	Trip Nut (Special) 5/16-18 NC	1	80747
23	Latch Release Bar	1	81034
24	Latch Structure	1	80239
25	Spring - Compression - 4" Long	1	80172
26	Retaining Bolt 1/2-13 NC	1	81035
27	Cotter Pin 1/8 x 1	1	CP-3025
28	Spacer	1	81036
29	Hex Screw 3/4-16 NF x 2 1/4 Gr. 5	1	80454
30	Thin Nut - Nylock 3/4-16 NF	1	80034
-	Chain Assembly - Equalizer (Short)	1	80248
31	Chain 3 x 4 Leaf	1	80267
32	Connecting Link	2	80139
33	Cover	1	81026
34	Flange Head Cap Screw 5/16-18 NC x 3/4	3	60912
35	Pin Structure (for arms)	2	80312
-	Chain Assembly - Equalizer (Long)	2	80254
41	Chain - Long 3 x 4 Leaf	1	80268
42	Connecting Link	1	80139
43	Bolt	1	80023
44	Flat Washer (Spacer)	6Est.	CP-733
45	Hex Jam Nut 1-14 NC	4	CP-6837

PANZITTA SALES & SERVICE
 72 George Avenue
 Wilkes-Barre, PA 18705
 570-822-6720 800-822-6720
 www.panzittasales.com

YOKE ROLLER - CYLINDER END
 MODEL LMP9

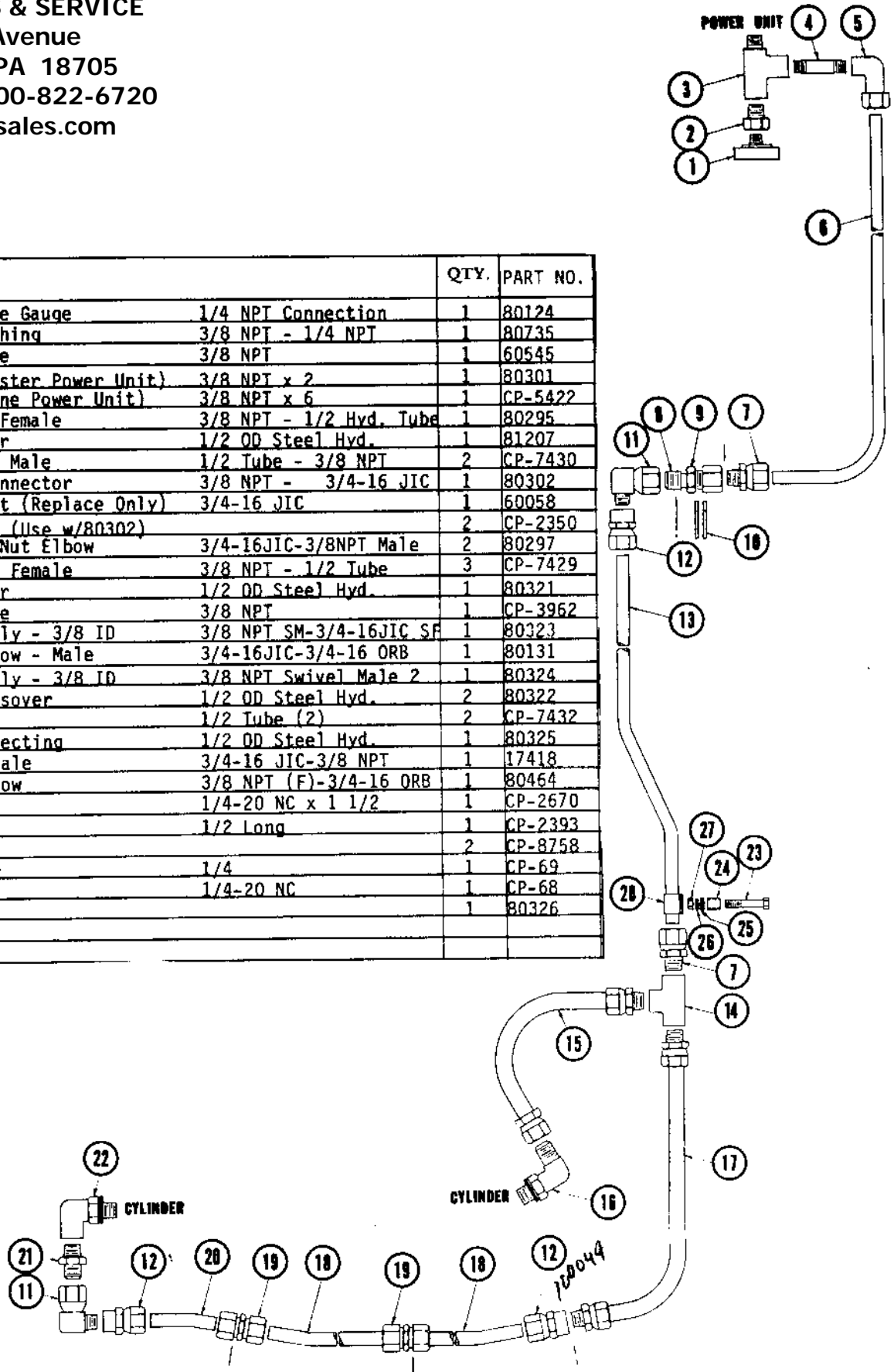


Code	Part Name	Qty.	Part No.	
1	Roller Yoke Structure	2	80221	
2	Roller Assembly	2	80225	
	1 - 80226 Roller			
	2 - 80171 Ball Bearing			
3	Hex Screw	3/4-16 NF x 4 Gr. 5	2	80033
4	Spacer		2	80227
5	Hex Nut - Nylock	3/4-16 NF	2	17253

HYDRAULIC LAYOUT LMP9

PANZITTA SALES & SERVICE
 72 George Avenue
 Wilkes-Barre, PA 18705
 570-822-6720 800-822-6720
 www.panzittasales.com

Code	Part Name		QTY.	PART NO.
1	Dry Pressure Gauge	1/4 NPT Connection	1	80124
2	Reducer Bushing	3/8 NPT - 1/4 NPT	1	80735
3	Male Run Tee	3/8 NPT	1	60545
4	Nipple (Webster Power Unit)	3/8 NPT x 2	1	80301
	Nipple (Stone Power Unit)	3/8 NPT x 6	1	CP-5422
5	90° Elbow - Female	3/8 NPT - 1/2 Hyd. Tube	1	80295
6	Tube - Upper	1/2 OD Steel Hyd.	1	81207
7	Connector - Male	1/2 Tube - 3/8 NPT	2	CP-7430
8	Bulkhead Connector	3/8 NPT - 3/4-16 JIC	1	80302
9	Bulkhead Nut (Replace Only)	3/4-16 JIC	1	60058
10	Flat Washer (Use w/80302)		2	CP-2350
11	90° Swivel Nut Elbow	3/4-16JIC-3/8NPT Male	2	80297
12	Connector - Female	3/8 NPT - 1/2 Tube	3	CP-7429
13	Tube - Lower	1/2 OD Steel Hyd.	1	80321
14	Tee - Female	3/8 NPT	1	CP-3962
15	Hose Assembly - 3/8 ID	3/8 NPT SM-3/4-16JIC SF	1	80323
16	90° ORB Elbow - Male	3/4-16JIC-3/4-16 ORB	1	80131
17	Hose Assembly - 3/8 ID	3/8 NPT Swivel Male 2	1	80324
18	Tube - Crossover	1/2 OD Steel Hyd.	2	80322
19	Union	1/2 Tube (2)	2	CP-7432
20	Tube - Connecting	1/2 OD Steel Hyd.	1	80325
21	Adapter - Male	3/4-16 JIC-3/8 NPT	1	17418
22	90° ORB Elbow	3/8 NPT (F)-3/4-16 ORB	1	80464
23	Hex Screw	1/4-20 NC x 1 1/2	1	CP-2670
24	Spacer	1/2 Long	1	CP-2393
25	Flat Washer		2	CP-8758
26	Lock Washer	1/4	1	CP-69
27	Hex Nut	1/4-20 NC	1	CP-68
28	Clamp		1	80326

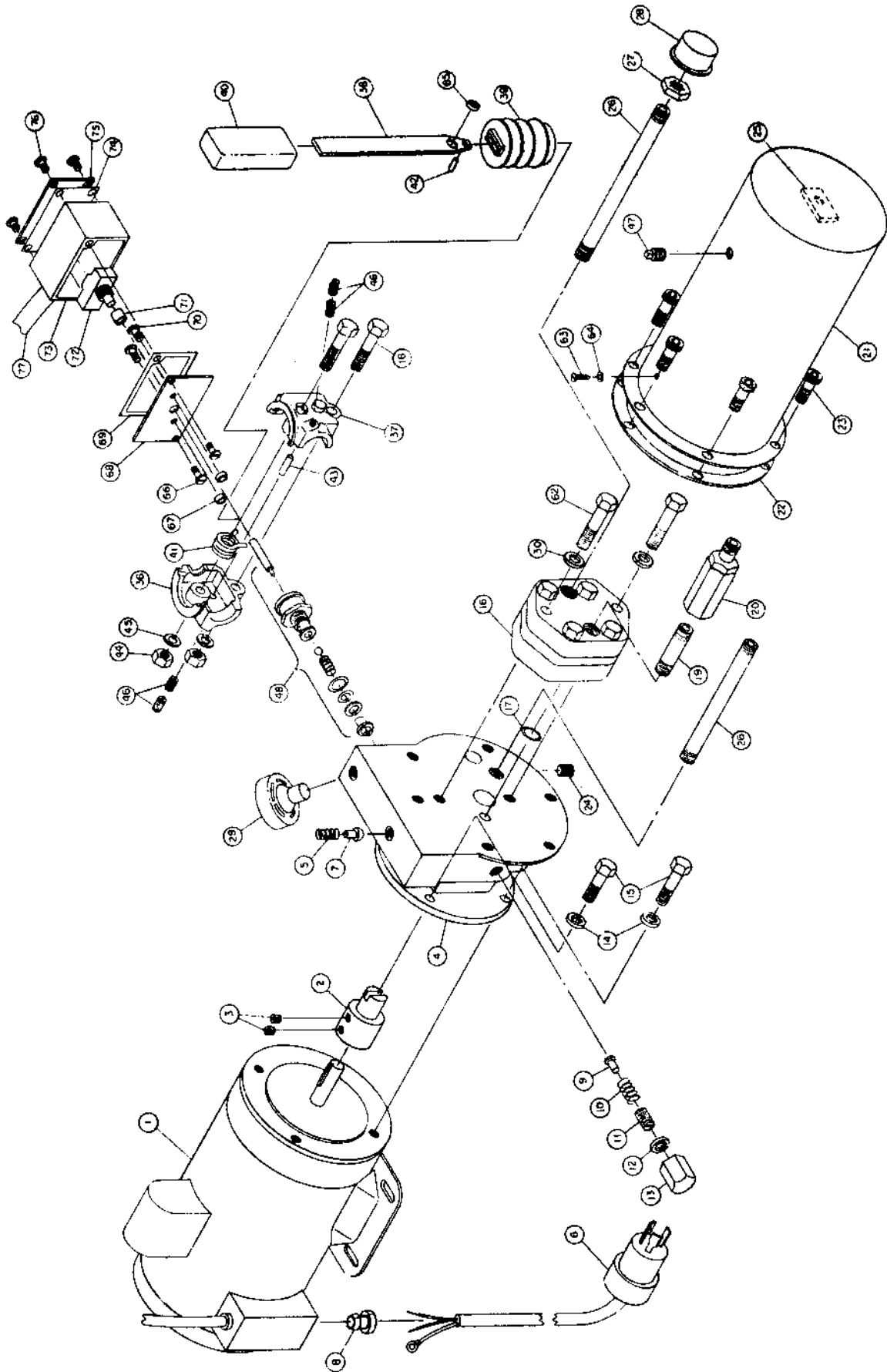


PANZITTA SALES & SERVICE
 72 George Avenue
 Wilkes-Barre, PA 18705
 570-822-6720 800-822-6720
 www.panzittasales.com

PARTS MANUAL
BILL OF MATERIAL - LMP9

e	Part Name	Qty.	Part No.
	LH Post Assembly W/Carriage	1	80200
	RH Post Assembly W/Carriage	1	80266
	Channel Structure - Chain Trough	1	80249
	Cover - Chain Trough	1	80252
	Hydraulic Tube - Cross Over LH	1	80322
	1 - CP-7429 Female Connector	*	
	1 - CP-7432 Nut & Sleeve of Union		
	Hydraulic Tube - Cross Over RH	1	80322
	2 - CP-7432 Nut, Sleeve & Connector of Union	*	
	Assembly - Lift Arms W/Extension & Pads	4	80263
	Operator's Manual	1	80876
	Hydraulic Tube - Upper 1/2 OD	1	81207
	1 - 80295 90° Elbow	*	
	1 - CP-7430 Male Connector		
	Power Unit 1Ø - 3 Gal Res. W/Oil	1	80474
	4 - CP-3698 Plug 3/8 NPT		
	Connecting Body 1Ø	1	80136
	Cover - Post Top	2	80246
	Cover - Bottom End	2	80253
	Equalizer Chain Ass'y (Long W/Bolt)	2	80254
	Dry Pressure Gauge	1	80124
	Reducer Bushing 3/8 x 1/4 NPT	1	80735
	Pipe Nipple 3/8 x 2	1	80301
	Anchor Bolt 3/4-10 NC x 5	14	80362
	Flat Washer (Chain Spacer)	6	CP-733
	Hex Jam Nut 1-14 NS	4	CP-6837
	Hex Screw 5/16-18 NC x 7/8	4	CP-3623
	Lock Washer 5/16	4	CP-1677
	Hex Nut 5/16-18 NC	4	CP-4401
	Hex Screw 1/2-13 NC x 1 1/2	6	80144
	Lock Nut - Whiz 1/2-13 NC	6	17142
	Shim (Kit 80589) 16 Ga.	16	CP-3649
	Hex Screw (Cover) 3/8-16 NC x 3/4	4	CP-2684
	Flat Washer (Cover)	4	CP-1521
	Lock Washer (Cover) 3/8	4	CP-573
	* Assembled on Line		

POWER UNIT - BREAKDOWN
WEBSTER ELECTRIC



PANZITTA SALES & SERVICE

72 George Avenue

Wilkes-Barre, PA 18705

570-822-6720 800-822-6720

www.panzittasales.com

**POWER UNIT - WEBSTER ELECTRIC
BREAKDOWN**

Code	Part Name
-	Power Unit Assembly - Includes:
1	1-80270 Motor 1-1/2 HP-10-60Hz-230V 3450 RPM
2	1-80900 Coupling
3	2-80901 Socket Set Screw 1/4-20 x 1/4
4	1-81168 Mounting Plate
5	1-80272 Spring Ch. Valve
6	1-80761 Power Cord & Plug Ass'y.
-	1-80467 Plug
7	1-80271 Poppet Ch. Valve
8	2-80903 Strain Relief Clamp
9	1-80904 Poppet Relief Valve
10	1-80905 Spring Valve
11	1-80906 Adj. Screw Valve
12	1-80907 Gasket-Copper Valve
13	1-80908 Cap Valve
14	4-CP-573 Lock Washer 3/8
15	4-16026 Hex Mach. Screw 3/8-16 x 7/8
16	1-80471 Pump Assembly
#	2-81050 Woodruff Key (3/32 x 5/16)
	1-81205 Pump Shaft
17	1-80930 O'Ring
18	2-CP-8032 Hex Screw 1/4-20 x 1-3/4
19	1-CP-4949 Close Nipple 1/4 NPT
20	1-80909 Velocity Fuse Ass'y.
21	1-80291 Tank 3 gal.
22	1-80287 Gasket - Tank
23	6-80910 Soc. Hd. C.S. #10-24 x 1/2
24	1-80911 Socket Pipe Plug 1/4 NPT
25	1-80912 Magnet - Tank
26	2-81167 Suction & Return Tube 3/8 Pipe x 23"
27	1-CP-3089 Lock Nut 3/8 NPT
28	1-80285 Suction Strainer
29	1-80486 Breather
30	2-CP-69 Lock Washer 1/4
#	1-80273 Lever Ass'y.-Manual Release
36	1-80780 L H Manual Valve Case
37	1-80779 R H Manual Valve Case
38	1-80775 Hand Lever-Straight
39	1-80482 Boot
40	1-80483 Hand Lever Grip
41	1-80484 Torque Spring
42	1-CP-5876 Roll Pin 1/8 x 1
43	1-80919 Roll Pin 3/16 x 3/4
44	2-CP-68 Nut 1/4-20
45	2-CP-69 Lock Washer 1/4
46	4-80920 Set Screw #10-24 x 1/4
18	2-CP-8032 Hex Screw (Listed Above)
65	1-80776 Bushing - Handle (Listed Below)
	80988 220V 50 MOTOR

PANZITTA SALES & SERVICE
 72 George Avenue
 Wilkes-Barre, PA 18705
 570-822-6720 800-822-6720
 www.panzittasales.com

POWER UNIT - WEBSTER ELECTRIC
 BREAKDOWN (Continued)

Code	Part Name	Qty.
47	1-80931 Socket Pipe Plug 3/8 NPT	
48	1-80768 Manual Release Valve (Assembly)	
62	CP-9828 Hex Mach. Screw 1/4-20 x 2-3/4	
63	1-80928 Pan Hd. Self Tap Sc. #12 x 3/4	
64	1-80929 Vent Screw Gasket	
65	1-80776 Bushing - Handle	
66	2-80928 Pan Hd. Self Tap Sc. #12 x 3/4	
67	2-81162 Spacer	
68	1-81166 Switch Plate	
69	1-81163 Gasket - Plate	
70	2-80923 Rd. Hd. Mach Screw #8 x 32	
71	1-81164 Spacer - Switch	
72	1- Switch	
73	1-81165 Wiring Box	
74	1-80924 Gasket - Cover	
75	1-80925 Box Cover	
76	4-80926 Self Tapping Screw #8 x 1/2	
77	1- Switch Cord	
78	1-81161 Switch/Plate Ass'y. Consists Of; Items 67,68,70,71, 72	
79	1-80922 Cable and Wiring Box Ass'y. Consists of Items 66,69,73, 74, 76,77,78	
#	1-80495 Pump and Mounting Plate Ass'y. Includes Codes 4,5,7,9,10,11,12,13,16,17,19,20, 24,26,27,28,30,48,62	
#	Not Shown	