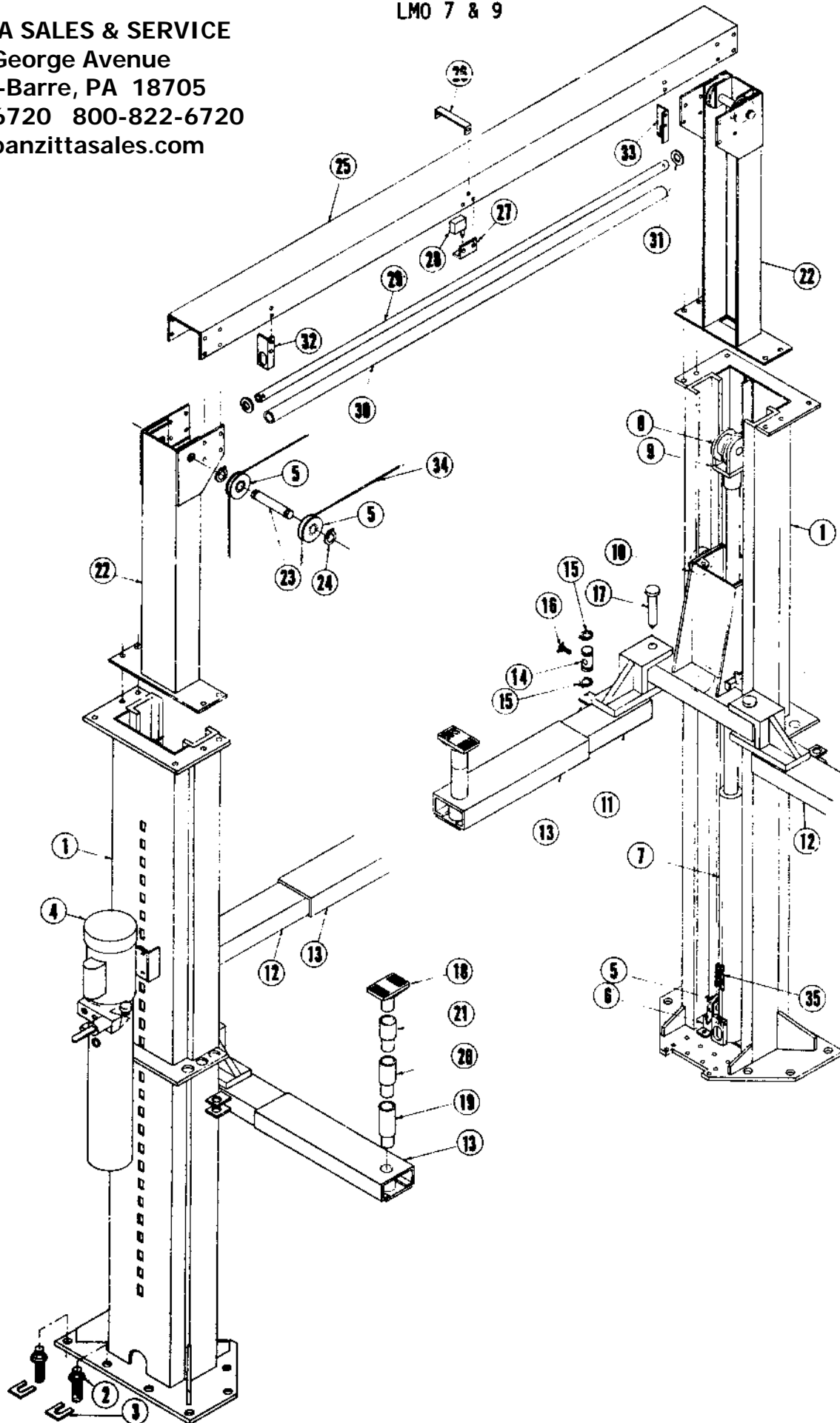


PARTS MANUAL
LMO 7 & 9

PANZITTA SALES & SERVICE
72 George Avenue
Wilkes-Barre, PA 18705
570-822-6720 800-822-6720
www.panzittasales.com



LIFT PARTS
LMO 7 & 9

Code	Part Name	QTY.	LMO 7	LMO 9
1	Post Structure	2	81805	81805
2	Anchor Bolt 3/4 x 5	16	80362	80362
3	Shim Kit (Under Posts)	1	80589	80589
4	Power Unit - Reworked (See Breakdown PU 80474)	1	81891	81891
	Hex Screw 5/16-18NC x 7/8	4	100198	100198
	Lock Washer 5/16	4	100159	100159
	Hex Nut 5/16-18NC	4	100102	100102
#	Connecting Body - 1Ø 3 Wire Ground	1	80136	80136
5	Idler Ass'y. - Cable	6	81924	81924
	1-81925 Idler			
	1-80695 Bushing			
6	Idler Support Structure	2	81816	81816
	Pin - Idler	2	81819	81819
	Retaining Ring 3/4 (wide)	4	80864	80864
	Hex Screw 1/2-13NC x 3/4(Support)	4	100035	100035
	Lock Washer 1/2	4	100125	100125
7	Hydraulic Cylinder	2	81821	81921
	Hex Fl. Hd Self Locking 3/8-16NC x 3/4 Gr.5	4	100240	100240
	Seal Kit - Prince Cyl. (Replacement only)		81913	81922
8	Roller Assembly - Cylinder	2	80721	80721
	1-80677 Roller			
	2-80171 Bearing			
9	Cylinder End Structure	2	80675	80675
	Spacer - Roller	2	80227	80227
	Pin - Cylinder End	2	81822	81822
	Retaining Ring - Wide 3/4	4	80864	80864
10	Carriage Assembly (See Breakdown)	2	81824	81824
11	LH Arm Structure	2	81867	81867
12	RH Arm Structure	2	81868	81868
13	Arm Extension Structure	4	81876	81376
14	Pin - Arm	4	81881	81881
15	Retaining Ring - Heavy 1 1/8	8	81882	81882
16	T-Screw Structure	4	81883	81883
17	Pin Structure 1 Dia.	4	81885	81885
18	Pad	4	81690	81690
19	5" Extension Structure	4	81691	81691
20	3 1/2" Extension Structure (Optional)	4	81692	81692
21	2 5/8" Extension Structure	4	81693	81693
22	Channel Structure - Post Extension	2	81852	81852
	Hex Screw (Channel to Post) 1/2-13NC x 1 1/4 Gr. 5	8	100010	100010
	Lock Washer (Channel to Post) 1/2	8	100125	100125
	Hex Nut (Channel to Post) 1/2-13NC	8	100124	100124
23	Pin - Top Idler	2	81911	81911
24	Retaining Ring - Wide 3/4	4	80864	80864
25	Channel - Cross Over	1	81859	81859
	Hex Screw 3/8-16NC x 7/8 Gr. 5	16	100011	100011
	Lock Washer 3/8	16	100119	100119
	Hex Nut 3/8-16NC	16	100127	100127
#	Not Shown			
	RETRO KIT FOR LMP?		81443	

PANZITTA SALES & SERVICE
72 George Avenue
Wilkes-Barre, PA 18705
570-822-6720 800-822-6720
www.panzittasales.com

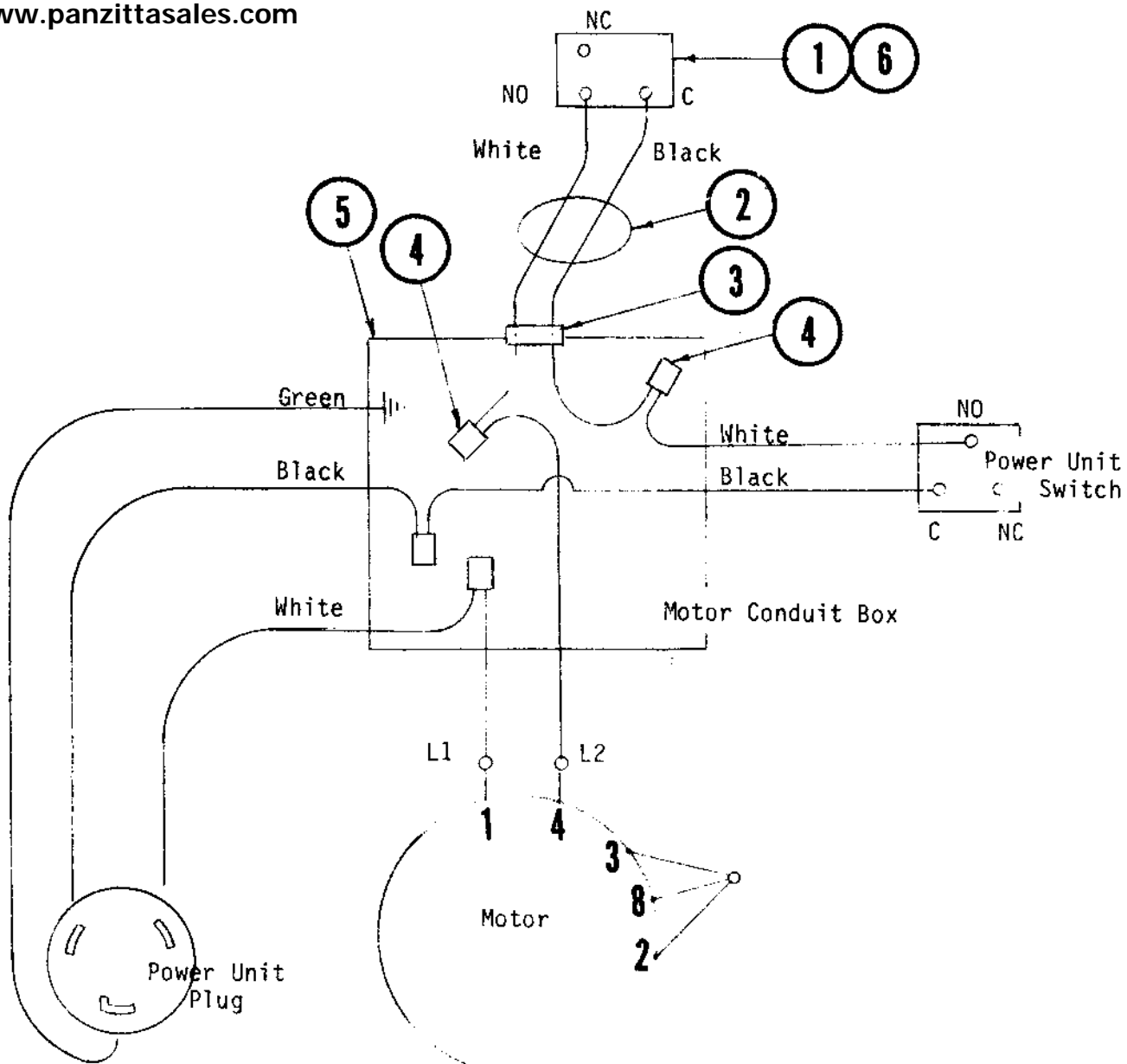
LIFT PARTS
LMO 7 & 9

Code	Part Name	QTY.	LMO 7	LMO 9
26	Strap - Cable Support	1	81906	81906
	Hex Screw 5/16-18NC x 3/4 Gr. 5	2	100002	100002
	Lock Washer 5/16	2	100159	100159
	Hex Nut 5/16-18NC	2	100102	100102
27	Angle - Switch Support	1	81864	81864
	Hex Screw 5/16-18NC x 3/4	2	100002	100002
	Lock Washer 5/16	2	100159	100159
	Hex Nut 5/16-18NC	2	100102	100102
28	Micro Switch - Push Button	1	80282	80282
	Cover - Switch	1	81910	81910
29	Pipe - Bumper	1	81862	81862
30	Tubing - Bumper	1	81863	81863
31	Flat Washer 1 5/32 I.D.	2	100224	100224
	Hex Screw 5/16-18NC x 1 1/2 Gr. 5	2	81483	81483
	Lock Washer 5/16	2	100159	100159
	Hex Nut 5/16-18NC	2	100102	100102
32	LH Angle Support	1	81860	81860
33	RH Angle Support	1	81861	81861
	Hex Screw 5/16-18NC x 3/4 Gr. 5	4	100002	100002
	Lock Washer 5/16	4	100159	100159
	Hex Nut 5/16-18NC	4	100102	100102
34	Cable Assembly	2	81887	81927
	Hex Nut	8	100157	100073
	Flat Washer 17/32 I.D.	4	100141	-
35	Chain	2	81823	81823
	Soc. Hd. Cap Screw (Sp.) 5/16-18NC x 1 3/4	2	81185	81185
	Soc. Hd. Cap Screw (Sp.) 5/16-18NC x 2 3/4	2	81907	81907
	Hex Nut - Nylock 5/16-18NC	4	80064	80064

LMO 7-9.max

PANZITTA SALES & SERVICE
 72 George Avenue
 Wilkes-Barre, PA 18705
 570-822-6720 800-822-6720
 www.panzittasales.com

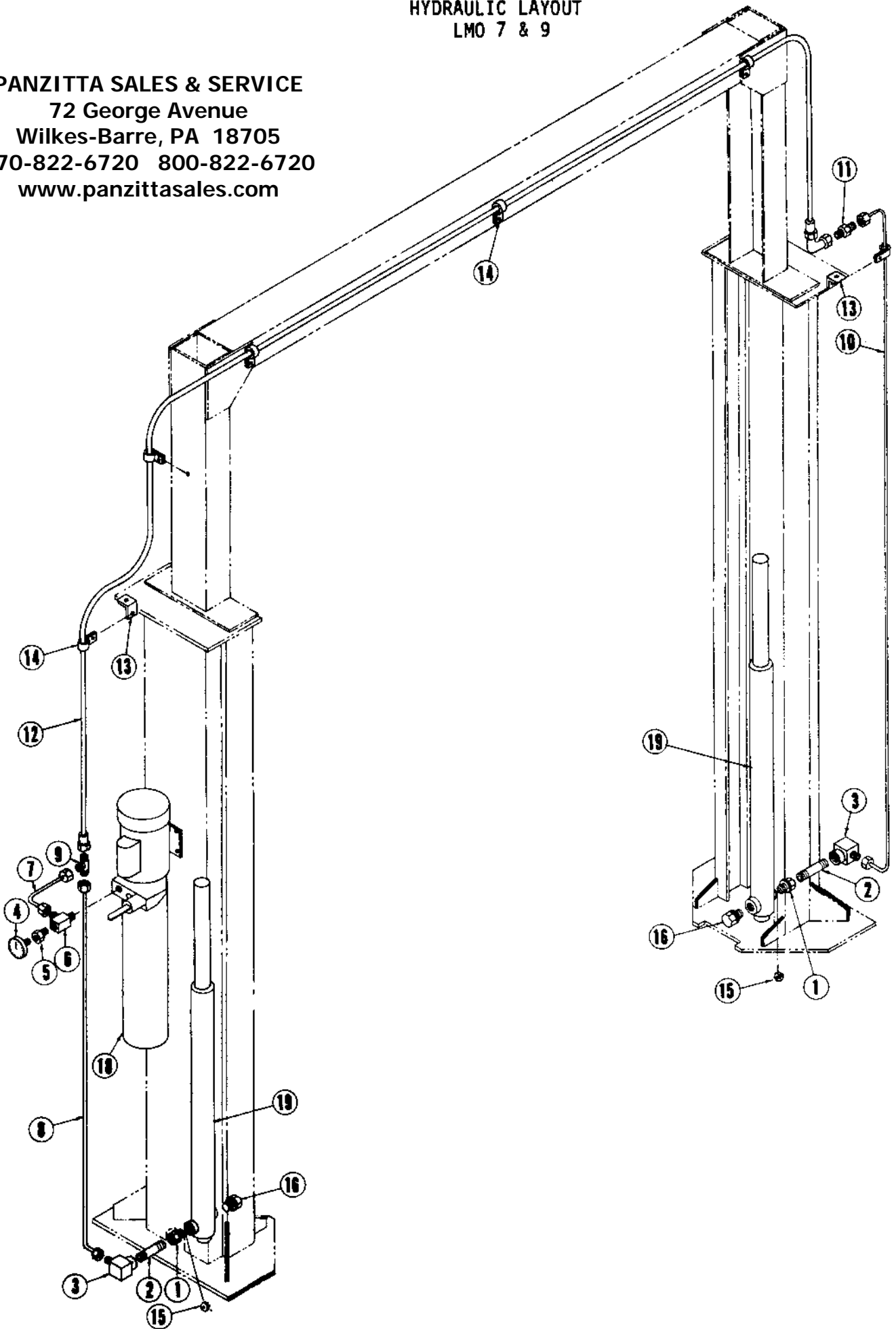
WIRING DIAGRAM
 LMO 7 & 9



Code	Part Name	QTY.	LMO 7&9
1	Micro Switch	1	80282
2	16/2 Cord Assembly	1	81892
3	Strain Relief Bushing	1	61924
4	Wire Connector	2	61089
5	P.U. Motor Conduit Box	1	81891
6	Cover - Micro Switch	1	81910

HYDRAULIC LAYOUT
LMO 7 & 9

PANZITTA SALES & SERVICE
72 George Avenue
Wilkes-Barre, PA 18705
570-822-6720 800-822-6720
www.panzittasales.com



PANZITTA SALES & SERVICE
72 George Avenue
Wilkes-Barre, PA 18705
570-822-6720 800-822-6720
www.panzittasales.com

HYDRAULIC LAYOUT
MODELS LMO 7 & 9

Code	Part Name	QTY.	LMO 7	LMO 9
1	Female Adapter 9/16 ORB x 1/4 NPT (F)	2	80992	80992
2	Pipe Nipple 1/4 x 5	2	100225	100225
3	90° Elbow 3/4 JIC x 1/4 NPT (F)	2	100227	100227
4	Dry Pressure Gauge 1/4 NPT Connection	1	80124	80124
5	Reducer Bushing 3/8 NPT x 1/4 NPT	1	80735	80735
6	Run Tee 3/8 NPT x 3/4 JIC	1	80132	80132
7	Tube Ass'y. (Short) 1/2 OD - 3/4-16 JIC	1	81894	81894
8	Tube Ass'y. (Lower) 1/2 OD - 3/4-16 JIC	1	81896	81896
9	Union Tee 3/4-16 JIC (3)	1	100226	100226
10	Tube Ass'y. (Offside) 1/2 OD - 3/4-16 JIC	1	81898	81898
11	Union Connector 3/4-16 JIC (2)	1	100230	100230
12	Hose Ass'y. 3/8 ID - 3/4-16 JIC	1	81900	81900
13	Bracket - Hose Clamp	2	81901	81901
	Hex Screw 1/2-13 NC x 1 1/4 Gr. 5	2	100010	100010
	Lock Washer 1/2	2	100125	100125
	Hex Nut 1/2-13 NC	2	100124	100124
14	Hose Clamp	6	61412	61412
	Hex Screw 5/16-18 NC x 3/4 Gr. 5	6	100002	100002
	Lock Washer 5/16	6	100159	100159
	Hex Nut 5/16-18 NC	6	100102	100102
15	Orifice (Cylinder) 9/16 ORB	2	81959	81959
16	Hex Head Plug (Cyl.) 9/16 ORB	2	100026	100026
18	Power Unit Assembly	1	81905	81905
19	Hydraulic Cylinder 9/16 ORB Ports	2	81821	81921

LMO 7-9.max

PANZITTA SALES & SERVICE

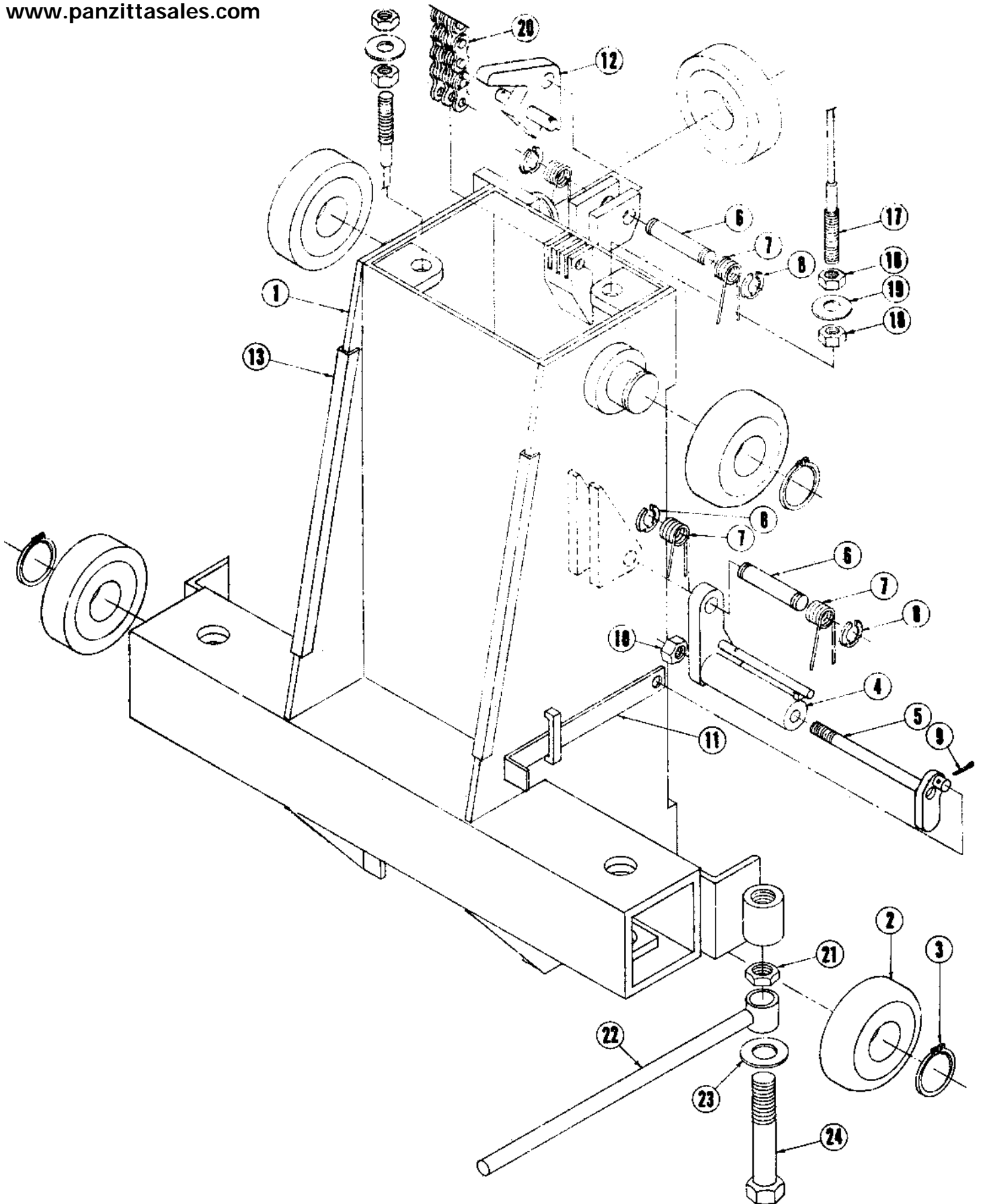
72 George Avenue

Wilkes-Barre, PA 18705

570-822-6720 800-822-6720

www.panzittasales.com

CARRIAGE ASSEMBLY
MODELS LMO 7 & 9 - LMP 7 & 9



PANZITTA SALES & SERVICE
72 George Avenue
Wilkes-Barre, PA 18705
570-822-6720 800-822-6720
www.panzittasales.com

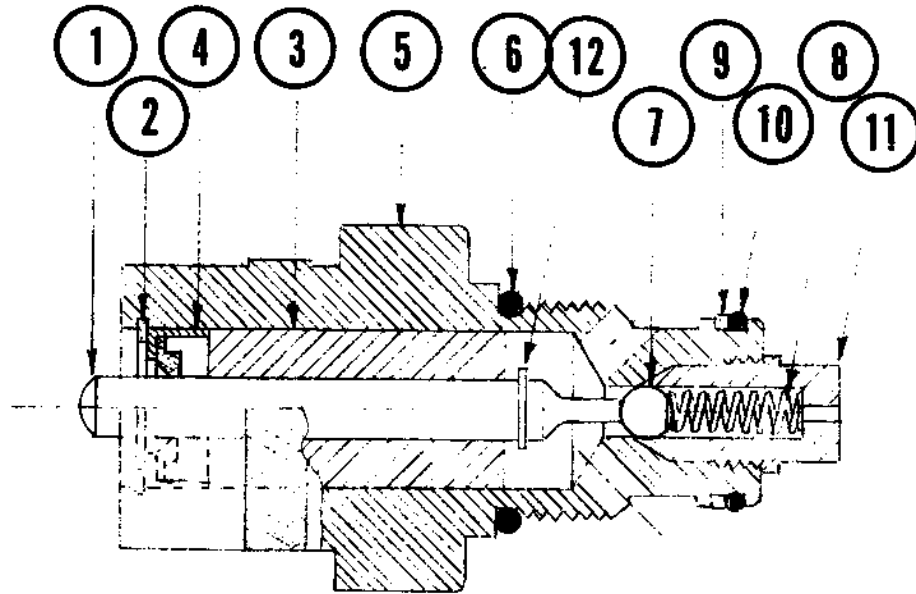
CARRIAGE ASSEMBLY
MODEL LMO 7-9 - LMP 7-9

Code	Part Name	QTY.	LMO 7 LMP 7	LMO 9 LMP 9
-	Carriage Assembly - LMO 7-9 LMP 7-9	2	81824	81824
	Consists of Codes 1 Thru 13			
1	Carriage Structure	1	81825	81825
2	Bearing - Mast Guide 3.72 O.D.	6	81446	81446
3	Retaining Ring 1 3/8	6	100089	100089
4	Latch Structure	1	81837	81837
5	Cam Structure	1	81842	81842
6	Shaft - Pivot Latch	2	80737	80737
7	Spring - Torsion	4	80739	80739
8	Retaining Ring 1/2	4	80738	80738
9	Cotter Pin 3/32 x 3/4	1	100233	100233
10	Nylock Nut 3/8-16NC	1	81082	81082
11	Lever - Cam	1	81849	81849
12	Latch Structure - Slack Chain	1	81846	81846
13	Bumper Pad	2	81850	81850
17	Cable Assembly	1	81887	81927
18	Hex Nut	4	100157	100073
19	Flat Washer 17/32 I.D.	2	100141	-
20	Chain 4/3	1	81823	81823
21	Jam Nut Light 3/4-16NF	2	100114	100114
22	Rod Structure - Arm Stop	2	81888	81888
23	Flat Washer 13/16 I.D.	2	80037	80037
24	Hex Screw 3/4-16NF x 5 Gr.5	2	80799	80799

LMO 7-9.max

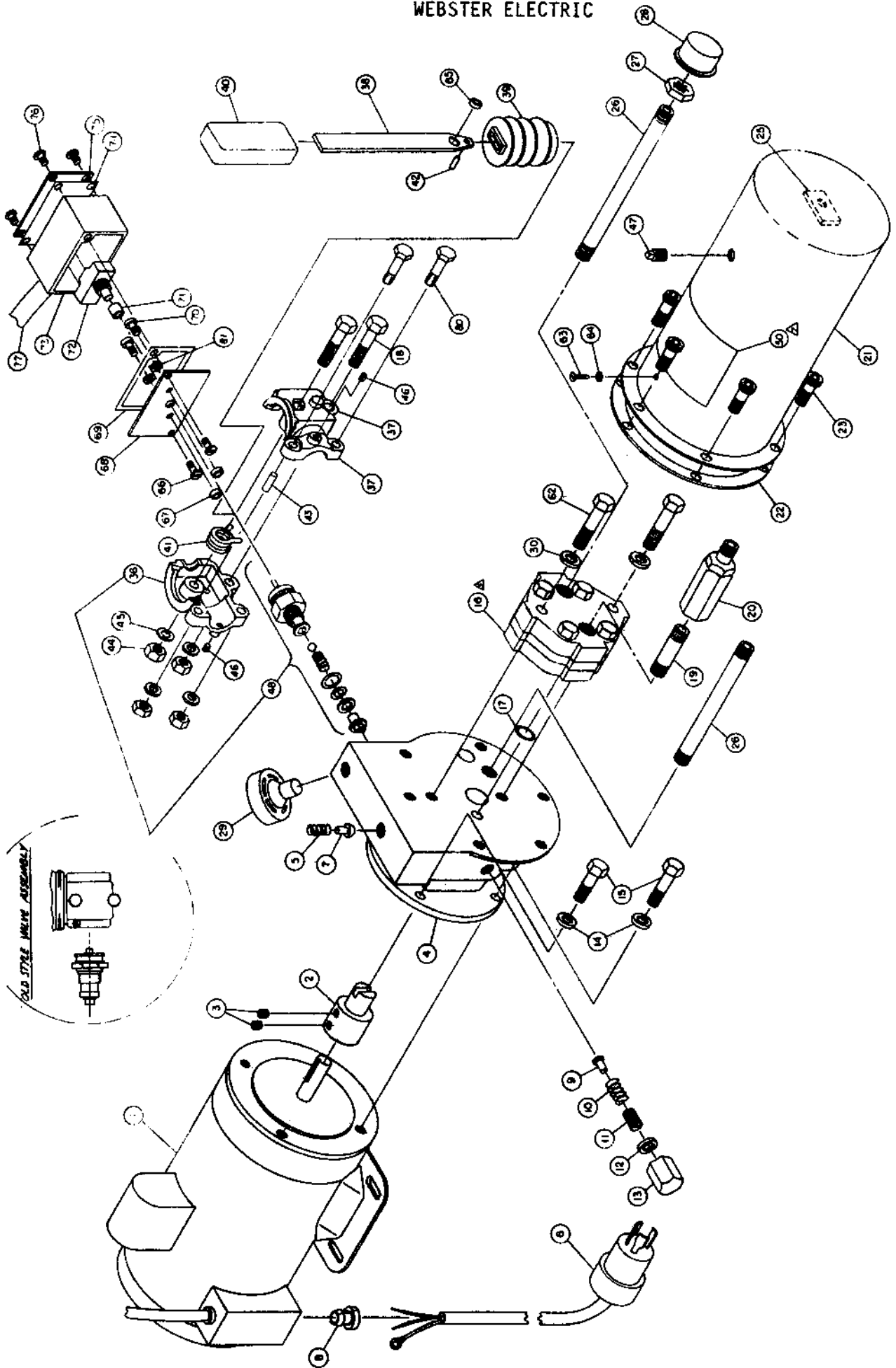
PANZITTA SALES & SERVICE
 72 George Avenue
 Wilkes-Barre, PA 18705
 570-822-6720 800-822-6720
 www.panzittasales.com

MANUAL RELEASE VALVE ASSEMBLY
 POWER UNIT



Code	Part Name	Qty.	Part No.
--	Manual Release Valve Assembly	1	81783
	Consists Of:		
1	1 - Rod		
2	1 - 80293 Retaining Ring		
3	1 - Rod Guide		
4	1 - 80279 Shaft Seal		
5	1 - Valve Body		
6	1 - 80276 O-Ring		
7	1 - 80480 Ball		
8	1 - 80481 Spring		
9	1 - 80278 Back Up Ring		
10	1 - 80277 O-Ring		
11	1 - 80771 Plug (.067)		
12	1 - Retaining Ring		

POWER UNIT BREAKDOWN
WEBSTER ELECTRIC



PANZITTA SALES & SERVICE
 72 George Avenue
 Wilkes-Barre, PA 18705
 570-822-6720 800-822-6720
 www.panzittasales.com

POWER UNIT - WEBSTER ELECTRIC
 BREAKDOWN (Continued)

Code	Part Name
47	1-80931 Socket Pipe Plug 3/8 NPT
48	1-81783 Manual Release Valve (See Breakdown)
62	2-81784 Hex Machine Screw 1/4 20 x 3 1/4
63	1-80928 Pan Hd. Self Tap Screw #12 x 3/4
64	1-80929 Vent Screw Gasket
65	1-80776 Bushing - Handle
66	2-80928 Pan Hd. Self Tap Screw #12 x 3/4
67	2-81162 Spacer
68	1-81166 Switch Plate
69	1-81163 Gasket - Plate
70	2-81785 Soc. Hd. Mach Screw
71	1-81164 Spacer - Switch
72	1-80282 Switch
73	1-81165 Wiring Box
74	1-80924 Gasket - Cover
75	1-80925 Box Cover
76	4-80926 Self Tapping Screw #8 x 1/2
77	1- Switch Cord
78	1-81161 Switch/Plate Ass'y. Consists Of: Items 67,68,70,71,72-81
79	1-80922 Switch/Plate Ass'y. Consists Of: Items 66,68,69,71,72,73-77.
80	2-100208 Hex Screw 1/4-20NC x 1 1/4
81	2-100171 Lock Washer #8
#	1-81787 Pump and Mounting Plate Ass'y.
#	1-81789 Manual Release Lever Ass'y. Includes: 18-36-37-38-39-40-41-42-43 44-45-46-65-80
#	Not Shown