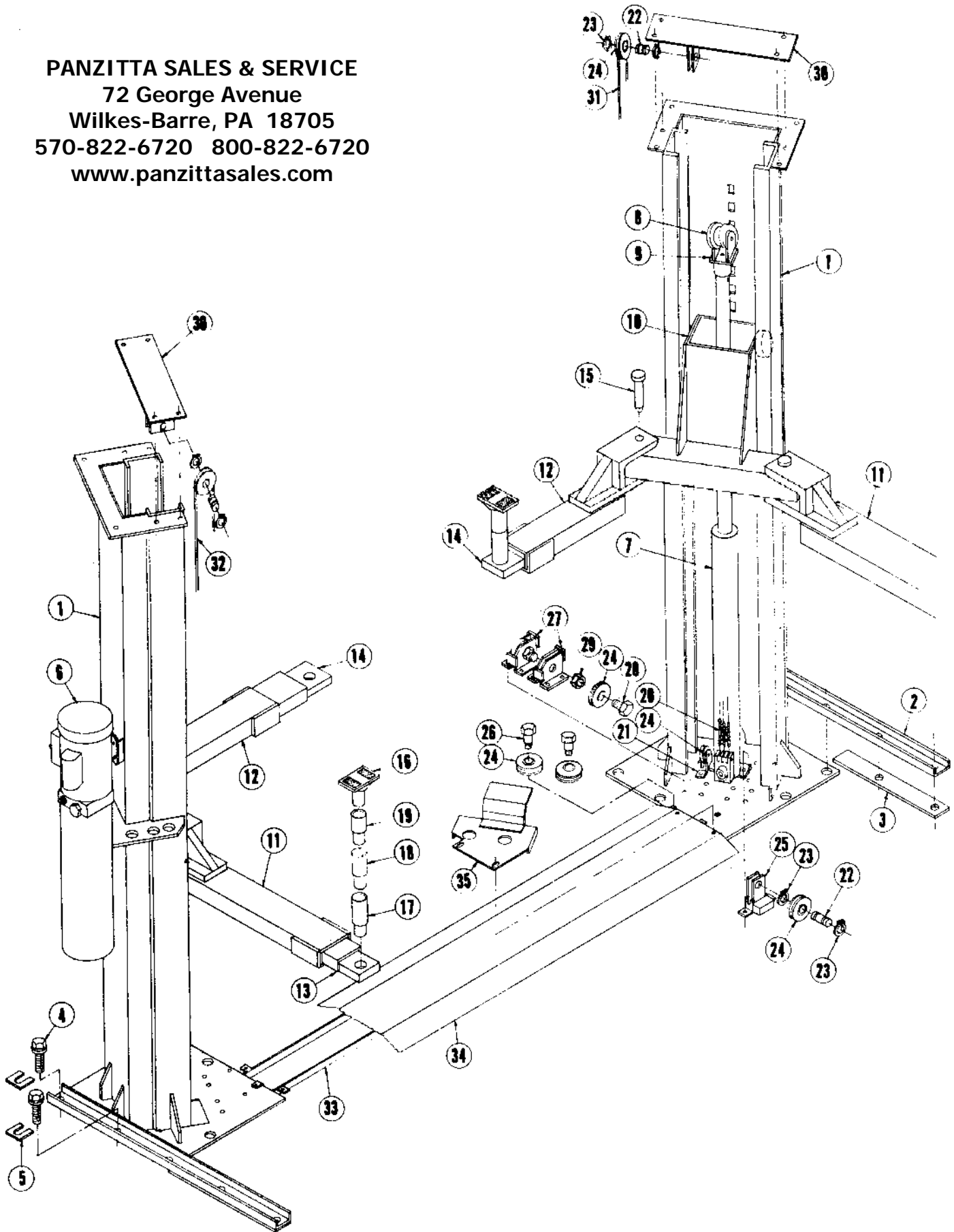


LIFT PARTS  
LAS7 & 9

PANZITTA SALES & SERVICE  
72 George Avenue  
Wilkes-Barre, PA 18705  
570-822-6720 800-822-6720  
www.panzittasales.com



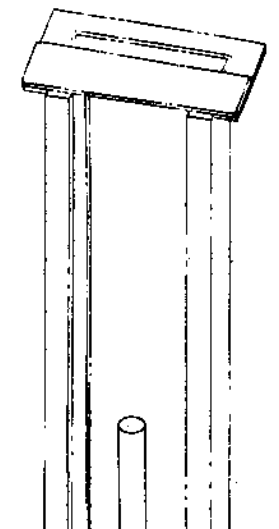
LIFT PARTS  
LAS7 & 9

Code	Part Name	QTY.	LAS7	LAS9
1	Post Structure	2	82713	82713
2	Channel - Stiffener	2	82312	82312
3	Bar - Spacer	2	82313	82313
4	Anchor Bolt 3/4 x 5	18	80362	80362
5	Shim	36	81709	81709
6	Power Unit	1	82955	82963
	Hex Screw 5/16-18NC x 7/8	4	100198	100198
	Lock Washer 5/16	4	100159	100159
	Hex Nut 5/16-18NC	4	100102	100102
#	Connecting Body 1Ø - 3 Wire Ground	1	80136	80136
7	Hydraulic Cylinder 2" Rod - 9/16 ORB Ports	2	81821	81921
	HFHSL Screw 3/8-16NC x 3/4 Gr. 5	4	100240	100240
	Seal Kit - Prince Cyl. (Replacement Only)	-	81913	81922
	Seal Kit - Cross Cyl. (Replacement Only)	-	82218	82219
8	Roller Ass'y. - Cylinder Consists Of:	2	82714	82714
	1 - 82715 Roller			
	2 - 80171 Bearing			
9	Cylinder End Str.	2	80675	80675
	Spacer - Roller	2	80227	80227
	Pin - Cylinder End	2	81822	81822
	Retaining Ring - Wide 3/4	4	80864	80864
	HFHSL Screw (End to Cyl.) 3/8-16NC x 1 Gr. 5	2	100238	100238
10	Carriage Assembly (See Breakdown)	2	81824	81824
11	Lift Arm Structure - Long	2	82277	82277
12	Lift Arm Structure - Short	2	82279	82279
13	Arm Extension Structure - Long	2	82283	82283
14	Arm Extension Structure - Short	2	82285	82285
	Hex Screw 1/2-13NC x 1 1/2 Gr. 5 (Stop)	4	80144	80144
15	Pin Structure 1" Dia.	4	81885	81885
16	Pad	4	81690	81690
17*	5" Extension Structure	4	81691	81691
18*	3 1/2" Extension Structure (Optional)	4	81692	81692
19*	2 5/8" Extension Structure	4	81693	81693
20	Chain	2	81823	81823
	Soc. Hd. Cap Screw (Special) 5/16-18NC x 1 3/4	2	81185	81185
	Soc. Hd. Cap Screw (Special) 5/16-18NC x 2 3/4	2	81907	81907
	Hex Nut - Nylock 5/16-18NC	4	80064	80064
21	Idler Support Structure	2	81816	81816
	HFHSL Screw 1/2-13NC x 3/4 (Support)	4	100243	100243
22	Pin - Idler	6	81819	81819
23	Retaining Ring (Wide) 3/4	12	80864	80864
24	Idler Assembly - Cable	14	81924	81924
25	Idler Support Structure - Lower Modified	2	82480	82480
	HFHSL Screw 1/2-13NC x 3/4	4	100243	100243
26	Shoulder Screw 5/8-11NC	4	82276	82276
27	Idler Support Structure - Auxiliary	4	81940	81940
	HFHSL Screw 3/8-16NC x 3/4	16	100240	100240
28	Shoulder Screw 5/8-11NC	4	81976	81976
29	Nylock Nut - Thin 5/8-11NC	4	81977	81977
*	EXTENSIONS ARE FOR LEVELING AND STABILIZING VEHICLE ONLY! LOAD MUST BE BALANCED ON ARMS.			

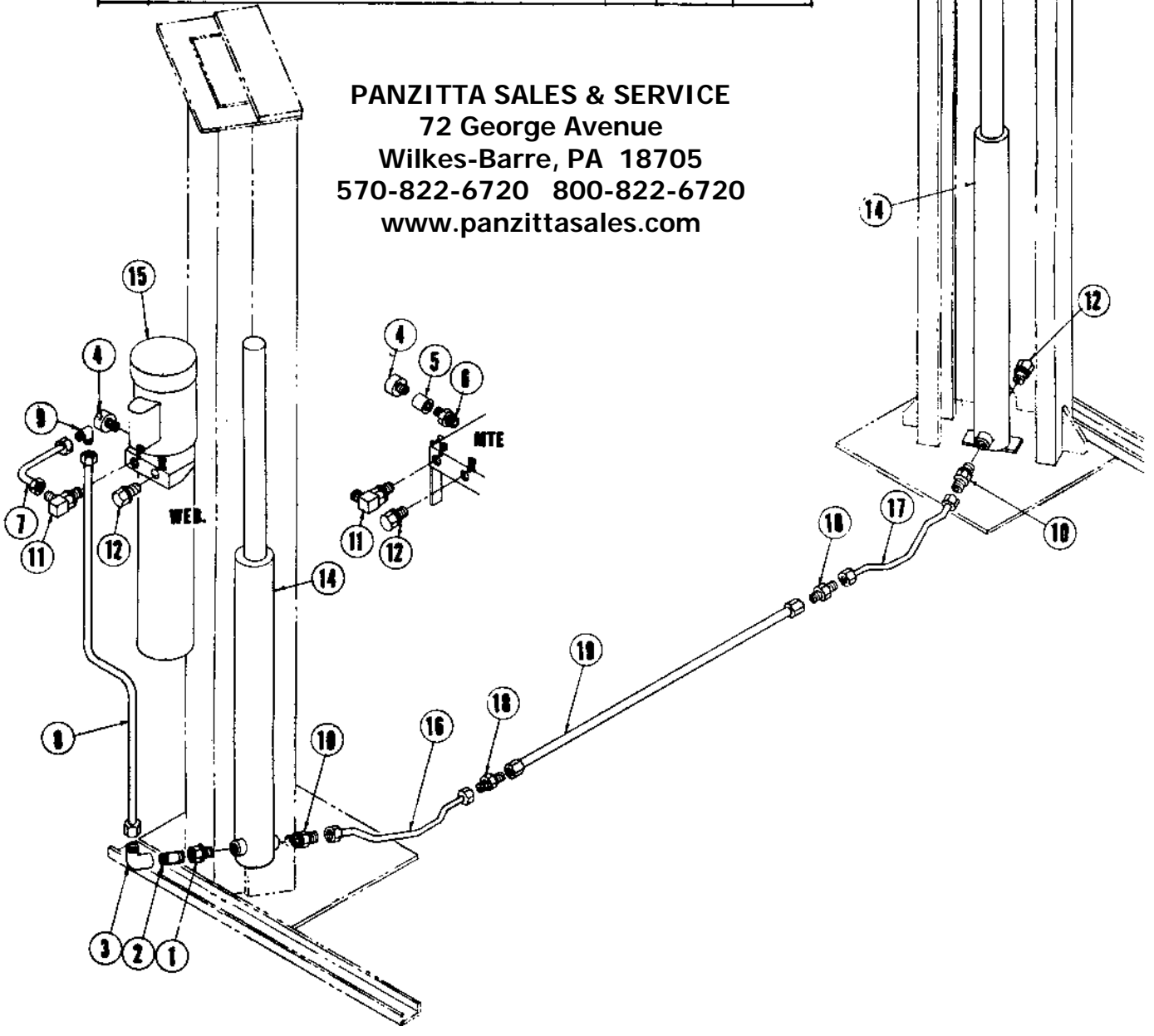


## HYDRAULIC LAYOUT LAS7 & 9

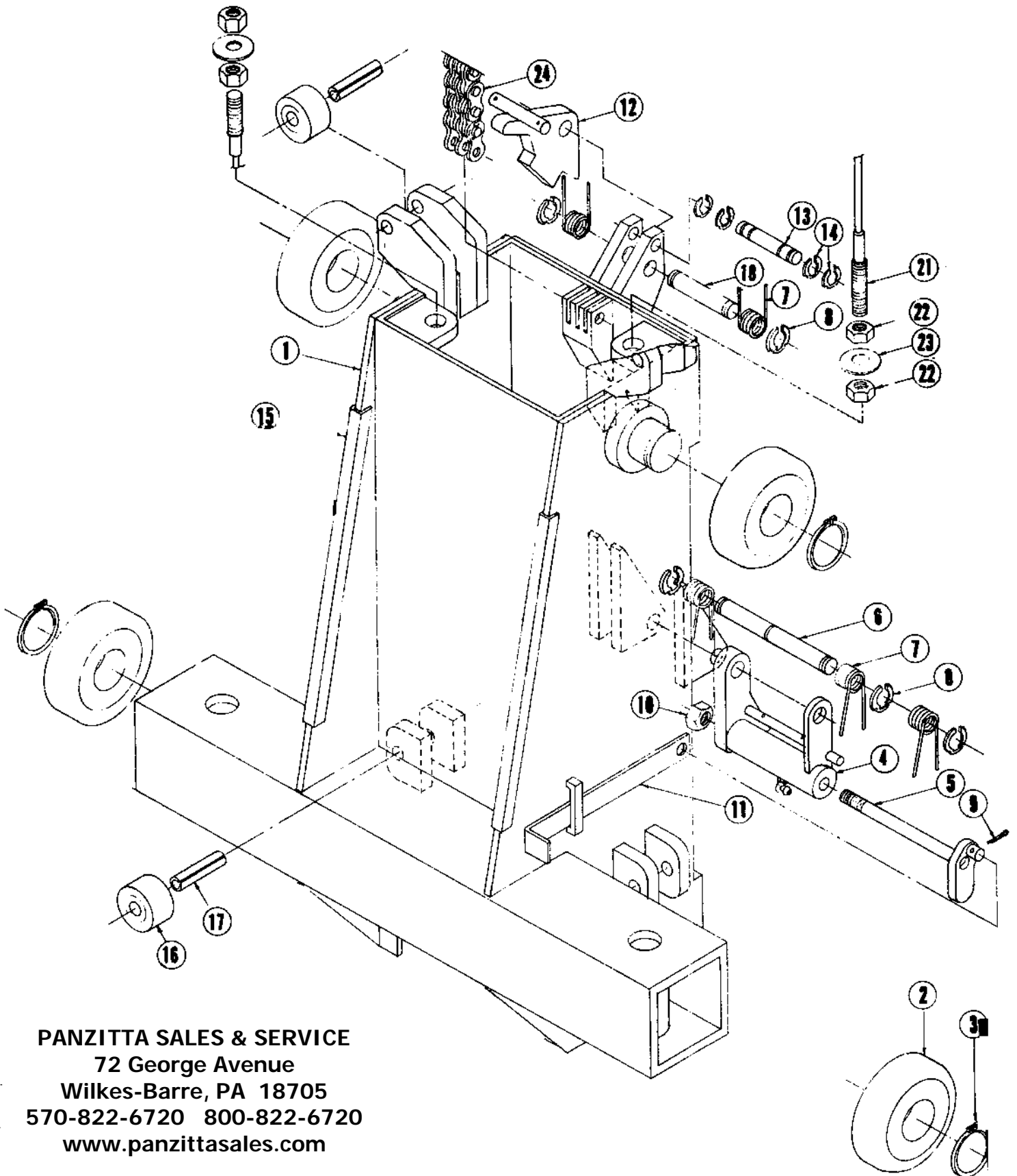
Code	Part Name		QTY.	LAS7	LAS9
1	Female Adapter	9/16 ORB x 1/4 NPTF	1	80992	80992
2	Pipe Nipple	1/4 x 5	1	100225	100225
3	90° Elbow	3/4 JIC x 1/4 NPTF	1	100227	100227
4	Dry Pressure Gauge	1/4 NPT	1	80129	80129
5	Coupling	1/4 NPT (MTE Only)	1	82066	82066
6	Hex Nipple	1/4 x 3/8 (MTE Only)	1	61496	61496
7	Tube Ass'y. Upper	1/2 OD - 3/4-16JIC	1	82198	82198
8	Tube Assembly	1/2 OD - 3/4-16JIC	1	82200	82200
9	90° Elbow	3/4 JIC	1	81929	81929
10	Tube Union	9/16 ORB x 3/4 JIC	2	60544	60544
11	90° Elbow	9/16 ORB x 3/4 JIC	1	82056	82056
12	Plug	9/16 ORB	2	100026	100026
14	Hydraulic Cylinder	9/16 ORB Ports	1	81821	81921
16	LH Tube Ass'y.		1	82338	82338
17	RH Tube Ass'y.		1	82339	82339
18	Tube Union	9/16 JIC	2	81703	81703
19	Hose Ass'y.	3/8 ID - 9/16 JIC	1	82337	82337
#	Hex Plug	1/4 NPT	1	100289	100289
#	Cap	9/16 JIC	2	80831	80831



**PANZITTA SALES & SERVICE**  
 72 George Avenue  
 Wilkes-Barre, PA 18705  
 570-822-6720 800-822-6720  
[www.panzittasales.com](http://www.panzittasales.com)



CARRIAGE ASSEMBLY  
 LMO7 & 9 - LMP7 & 9  
 LAS07 & 9 - LAS7 & 9



PANZITTA SALES & SERVICE  
 72 George Avenue  
 Wilkes-Barre, PA 18705  
 570-822-6720 800-822-6720  
 www.panzittasales.com

CARRIAGE ASSEMBLY  
LM07 & 9 - LMP & 9

Code	Part Name	QTY.	LM07 LMP7	LM09 LMP9
-	Carriage Assembly - LM07 & 9 - LMP7 & 9 Consists Of Codes 1 Thru 18	2	81824	81824
1	Carriage Structure	1	82310	82310
2	Bearing - Mast Guide 3.72 OD	4	81446	81446
3	Retaining Ring 1 3/8	4	100089	100089
4	Latch Assembly 1 - 81471 Grease Fitting-Drive	1	82756	82756
5	Cam Structure	1	81842	81842
6	Shaft - Pivot Latch	1	82760	82760
7	Spring - Torsion	5	80739	80739
8	Retaining Ring 1/2	5	80738	80738
9	Cotter Pin 3/32 x 3/4	1	100233	100233
10	Nylock Nut 3/8-16NC	1	81082	81082
11	Lever - Cam	1	81849	81849
12	Latch Structure - Slack Chain	1	82171	82171
13	Pin - (Latch)	1	82173	82173
14	Retaining Ring 3/8	4	80683	80683
15	Bumper Pad	2	81850	81850
16	Cam Yoke Roller	4	80176	80176
17	Roll Pin 7/16 x 2	4	100302	100302
18	Shaft - Slack Chain	1	80737	80737
(FOR ONE CARRIAGE)				
21	Cable Assembly - LMP Only	1	82743	81926
21	Cable Assembly - LMO Only	1	82742	81927
22	Hex Nut	4	100157	100073
23	Flat Washer 17/32 ID	4	100141	-
24	Chain 4/3	1	81823	81823

CARRIAGE ASSEMBLY  
LAS7 & 9 - LAS07 & 9

Code	Part Name	QTY.	LAS07 LAS7	LAS09 LAS9
-	Carriage Assembly - LAS7 & 9 - LAS07 & 9 Consists of Codes 1 Thru 18:	2	81824	81824
1	Carriage Structure	1	82310	82310
2	Bearing - Mast Guide 3.72 OD	4	81446	81446
3	Retaining Ring 1 3/8	4	100089	100089
4	Latch Assembly 1 - 81471 Grease Fitting Drive	1	82756	82756
5	Cam Structure	1	81842	81842
6	Shaft - Pivot Latch	1	82760	82760
7	Spring - Torsion	5	80739	80739
8	Retaining Ring 1/2	5	80738	80738
9	Cotter Pin 3/32 x 3/4	1	100233	100233
10	Nylock Nut 3/8-16NC	1	81082	81082
11	Lever - Cam	1	81849	81849
12	Latch Structure - Slack Chain	1	82171	82171
13	Pin (Latch)	1	82173	82173
14	Retaining Ring	4	80683	80683
15	Bumper Pad	2	81850	81850
16	Cam Yoke Roller	4	80176	80176
17	Roll Pin 7/16 x 2	4	100302	100302
18	Shaft - Slack Chain	1	80737	80737
(FOR TWO CARRIAGES)				
21	Cable Assembly, Short (LAS0)	1	82744	82270
21	Cable Assembly, Long (LAS0)	1	82745	82271
21	Cable Assembly, Short (LAS)	1	82746	82274
21	Cable Assembly, Long (LAS)	1	82747	82275
22	Hex Nut	8	100157	100073
23	Flat Washer 17/32 ID	8	100141	-
24	Chain 4/3	2	81823	81823