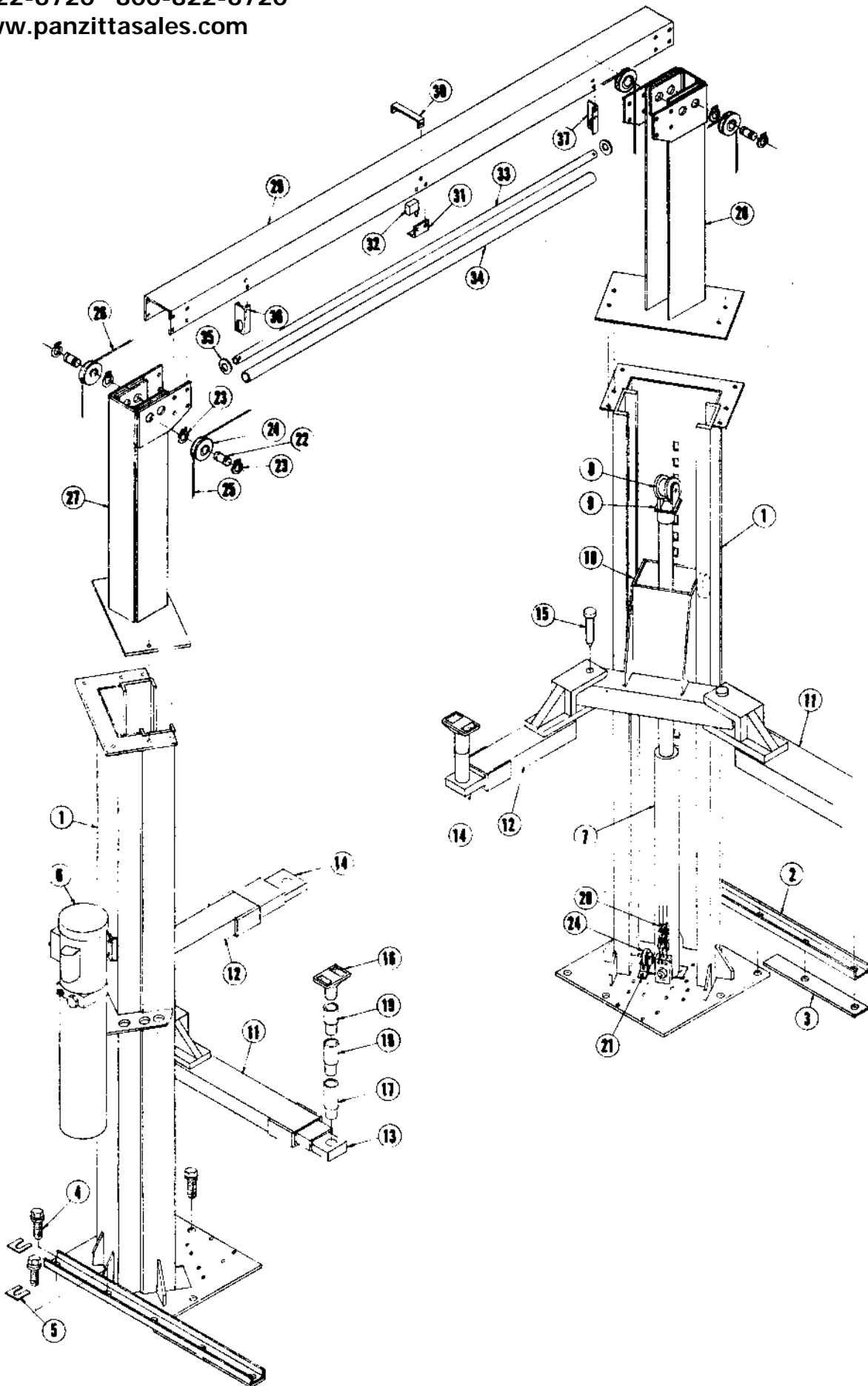


PANZITTA SALES & SERVICE
72 George Avenue
Wilkes-Barre, PA 18705
570-822-6720 800-822-6720
www.panzittasales.com

LIFT PARTS
LAS07 & 9

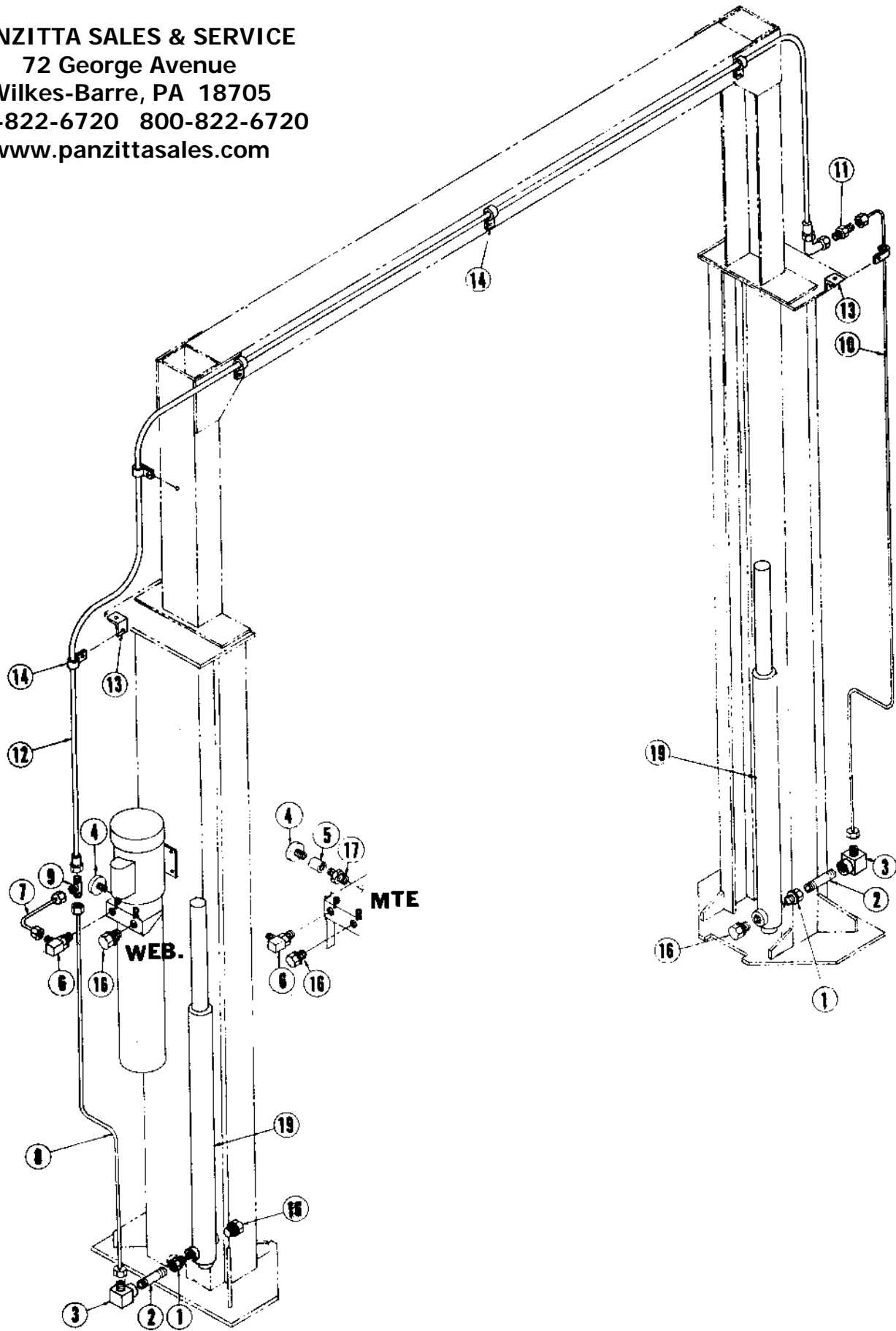


LIFT PARTS
LAS07 & 9

Code	Part Name	QTY.	LAS07	LAS09
1	Post Structure	2	82713	82713
2	Channel - Stiffener	2	82312	82312
3	Bar - Spacer	2	82313	82313
4	Anchor Bolt 3/4 x 5	18	80362	80362
5	Shim (Under Posts)	36	81709	81709
6	WE Power Unit & Wiring Ass'y. 10 OR	1	83007	83009
6	MTE Power Unit & Wiring Ass'y. 10 (See Breakdown)	1	82967	82969
	Hex Screw 5/16-18NC x 7/8	4	100198	100198
	Lock Washer 5/16	4	100159	100159
	Hex Nut 5/16-18NC	4	100102	100102
#	Connecting Body 10 - 3 Wire Ground	1	80136	80136
7	Hydraulic Cylinder 2" Rod - 9/16 ORB Ports	2	81821	81921
	HFHSL Screw 3/8-16NC x 3/4 Gr. 5	4	100240	100240
	Seal Kit - Prince Cylinder (Replacement Only)	-	81913	81922
	Seal Kit - Cross-Cylinder (Replacement Only)	-	82218	82219
8	Roller Ass'y. - Cylinder Consists Of:	2	82714	82714
	1 - 82715 Roller			
	2 - 80171 Bearing			
9	Cylinder End Structure	2	80675	80675
	Spacer - Roller	2	80227	80227
	Pin - Cylinder End	2	81822	81822
	Retaining Ring - Wide 3/4	4	80864	80864
	HFHSL Screw (End to Cyl.) 3/8-16NC x 1 Gr. 5	2	100238	100238
10	Carriage Ass'y. (See Breakdown)	2	81824	81824
11	Lift Arm Structure - Long	2	82277	82277
12	Lift Arm Structure - Short	2	82279	82279
13	Arm Extension Structure - Long	2	82283	82283
14	Arm Extension Structure - Short	2	82285	82285
	Hex Screw 1/2-13NC x 1 1/2 Gr. 5 Stop	4	80144	80144
15	Pin Structure 1" Dia.	4	81885	81885
16	Pad	4	81690	81690
17	5" Extension Structure	4	81691	81691
18	3 1/2" Extension Structure (Optional)	4	81692	81692
19	2 5/8" Extension Structure	4	81693	81693
20	Chain	2	81823	81823
	Soc. Hd. Cap Screw (Sp.) 5/16-18NC x 1 3/4	2	81185	81185
	Soc. Hd. Cap Screw (Sp.) 5/16-18NC x 2 3/4	2	81907	81907
	Hex Nut - Nylock 5/16-18NC	4	80064	80064
21	Idler Support Structure	2	81816	81816
	HFHSL Screw 1/2-13NC x 3/4 Support	4	100243	100243
22	Pin - Idler	6	81819	81819
23	Retaining Ring (Wide) 3/4	12	80864	80864
24	Idler Ass'y. - Cable	6	81924	81924
*	EXTENSIONS ARE FOR LEVELING AND STABILIZING VEHICLE ONLY! LOAD MUST BE BALANCED ON ARMS.			

HYDRAULIC LAYOUT
LAS07 & 9

PANZITTA SALES & SERVICE
72 George Avenue
Wilkes-Barre, PA 18705
570-822-6720 800-822-6720
www.panzittasales.com



PANZITTA SALES & SERVICE
72 George Avenue
Wilkes-Barre, PA 18705
570-822-6720 800-822-6720
www.panzittasales.com

HYDRAULIC LATOUI
LAS07 & 9

Code	Part Name		QTY.	LAS07	LAS09
1	Female Adapter	9/16 ORB x 1/4 NPT (F)	2	80992	80992
2	Pipe Nipple	1/4 x 5	2	100225	100225
3	90° Elbow	3/4 JIC x 1/4 NPT (F)	2	100227	100227
4	Dry Pressure Gauge	1/4 NPT Connection	1	80124	80124
5	Coupling (MTE)	1/4 NPT	1	82066	82066
6	90° Male Elbow	9/16 ORB x 3/4 JIC	1	82056	82056
7	Tube Ass'y. (Short)	1/2 OD x 3/4-16 JIC	1	82198	82198
8	Tube Ass'y. (Lower)	1/2 OD x 3/4-16 JIC	1	82200	82200
9	Union Tee	3/4-16 JIC (3)	1	100226	100226
10	Tube Ass'y. (Offside)	1/2 OD x 3/4-16 JIC	1	81898	81898
11	Union Connector	3/4-16 JIC (2)	1	100230	100230
12	Hose Ass'y.	3/8 ID x 3/4-16 JIC	1	81900	81900
13	Bracket - Hose Clamp		2	81901	81901
	Hex Screw	1/2-13NC x 1 1/4 Gr. 5	2	100010	100010
	Lock Washer	1/2	2	100125	100125
	Hex Nut	1/2-13NC	2	100124	100124
14	Hose Clamp		6	61412	61412
	Hex Screw	5/16-18NC x 3/4 Gr. 5	6	100002	100002
	Lock Washer	5/16	6	100159	100159
	Hex Nut	5/16-18NC	6	100102	100102
16	Hex Head Plug	9/16 ORB	3	100026	100026
17	Hex Nipple (MTE)	3/8 NPT x 1/4 NPT	1	61496	61496
19	Hydraulic Cylinder	9/16 ORB Ports	2	81821	81921
#	Plastic Tie		8	100004	100004
	Hex Pipe Plug		2	100289	100289