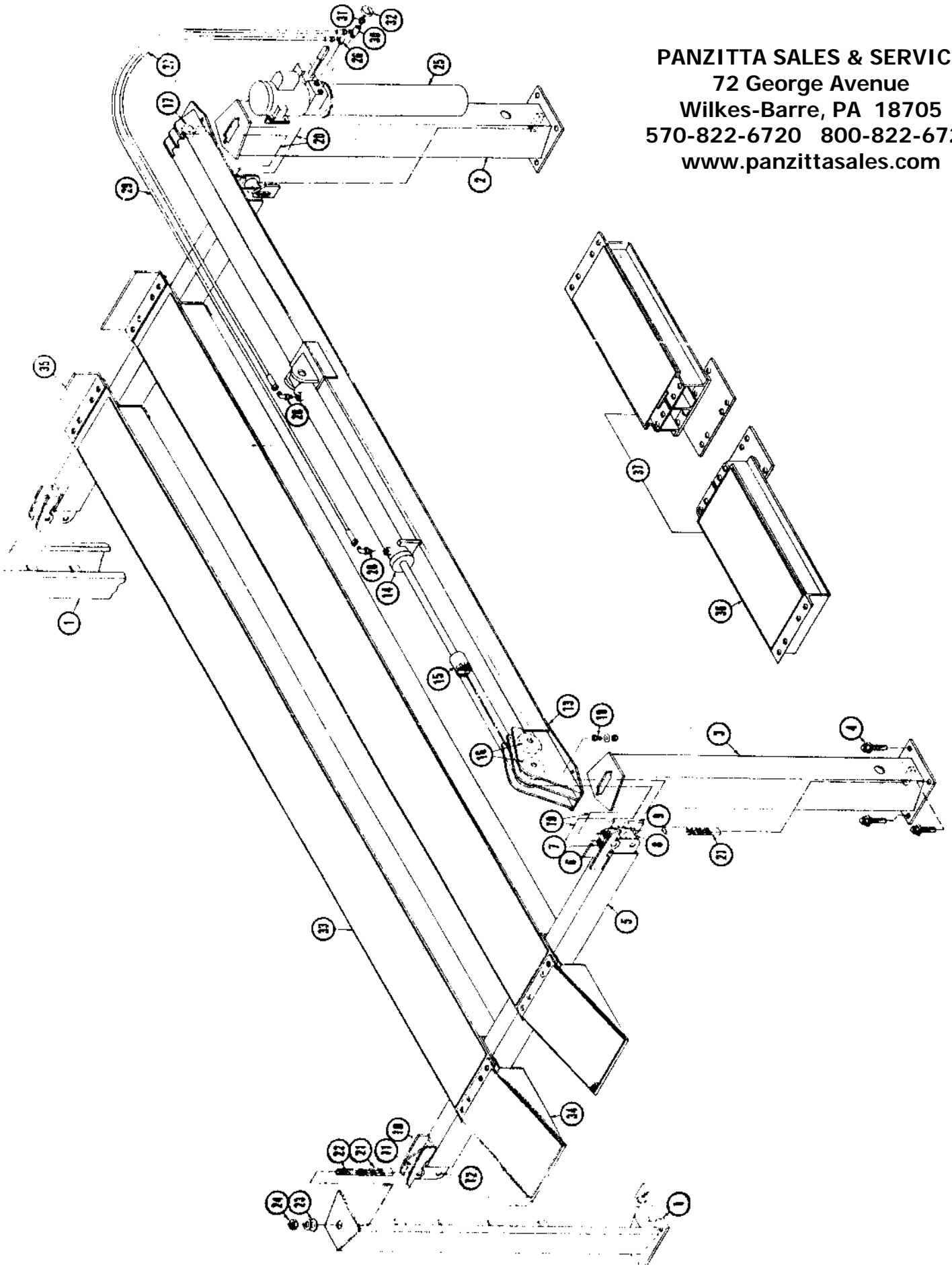


PARTS MANUAL LMT 22

PANZITTA SALES & SERVICE  
72 George Avenue  
Wilkes-Barre, PA 18705  
570-822-6720 800-822-6720  
[www.panzittasales.com](http://www.panzittasales.com)



LIFT PARTS  
LMT 22

Code	Part Name	Qty.	Part No.
1	Post Structure - Offside	2	80366
2	Post Structure - Main With Power Unit Mount	1	80367
3	Post Structure - Main	1	80368
4	Anchor Bolt 3/4 - 10 NC x 4	16	80062
-	Cross Member Assembly (Each Cross Member Consists of Codes 5-12)	2	80377
5	Cross Member Structure	1	80378
6	Catch Structure	1	80832
7	Chain Anchor	1	80388
	Bushing .594 Thick	2	80389
	Flat Washer	3est.	CP-2350
	Hex Screw 3/4 - 16 NF x 4-1/2 Gr 5	1	CP-894
	Hex Nut-Nylock 3/4 - 16 NF Thin	1	80034
8	Yoke Roller	1	80028
9	Trip	1	80391
	Bushing .56 Thick	1	80393
	Flat Washer	1	CP-2350
	Hex Screw 3/4 - 16 NF x 4 Gr 5	1	80033
	Hex Nut-Nylock 3/4 - 16 NF Thin	1	80034
10	Catch Structure	1	80832
11	Yoke Roller	1	80028
	Bushing .594 Thick	2	80389
	Flat Washer	1	CP-2350
	Hex Screw 3/4 - 16 NF x 4-1/2 Gr 5	1	CP-894
	Hex Nut-Nylock 3/4 - 16 NF Thin	1	80034
12	Trip	1	80391
	Bushing .56 Thick	1	80393
	Flat Washer	1	CP-2350
	Hex Screw 3/4 - 16 NF x 1-3/4 Gr 5	1	80457
	Hex Nut-Nylock 3/4 - 16 NF Thin	1	80034
13	Upper Horizontal Tube Structure With Decals	1	80465
14	Hydraulic Cylinder	1	80410
	Pin - Cylinder	1	80411
	Roll Pin - Cylinder 3/8 x 2	2	10545
	Seal Kit (Replacement Only)	1	80455
15	Chain Connector	1	80412
16	Roller Assembly	4	80225
	Bushing	4	80227
	Hex Screw 3/4 - 16 NF x 5-1/2 Gr 5	2	80413
	Hex Nut-Nylock 3/4 - 16 NF Thin	2	80034
17	Yoke Roller	2	80028
	Hex Screw 3/4 - 16 NF x 5-1/2 Gr 5	1	80413
	Hex Nut-Nylock 3/4 - 16 NF Thin	1	80034
18	Hex Screw (Hor. Tube to Posts) 1/2-13NC x 1-3/4 Gr 5	4	80453
	Flat Washer	4	CP-1522
	Whiz Nut 1/2 - 13 NC	4	17142
19	Chain - Leaf (Short) 119 Links	2	80432
	Sec Hd Cap Screw 5/16 - 18 NC x 4-1/2 Gr 8	2	80458

**PANZITTA SALES & SERVICE**  
**72 George Avenue**  
**Wilkes-Barre, PA 18705**  
**570-822-6720 800-822-6720**  
**www.panzittasales.com**

LIFT PARTS  
LMT 22

Code	Part Name	Qty.	Part No.
22	Stud-Chain Retainer 1-1/4 - 12 NF	2	80430
23	Flat Washer	8 est	80431
24	Hex Nut-Nylock 1-1/4 - 12 NF	2	80192
25	Power Unit-1-1/2 HP-1Ø-60 Hz-230V (See Breakdown)	1	80472
	Hex Screw (Mount Power Unit) 5/16 - 18 NC x 7/8	4	CP-3623
	Lock Washer (Mount Power Unit) 5/16	4	CP-1677
	Hex Nut (Mount Power Unit) 5/16 - 18 NC	4	CP-4401
	Connecting Body 1 Ø - 3 Wire Ground	1	80136
26	90° Male Elbow 3/8 NPT - 3/4 16 JIC	1	80133
27	Hose Ass'y, 120" Long 1/2 ID Hose	1	80364
28	90° Male Elbow 3/4-16 ORB-3/4 16 JIC	2	80131
29	Hose Ass'y, 180" Long 1/2 ID Hose	1	80365
30	Male Branch Tee	1	80132
31	Reducer Bushing 3/8 NPTM - 1/4 NPTF	1	CP-2878
32	Dry Pressure Gauge	1	80124
	Plastic Tie (Hose)	2	13340
33	Track Structure 24" Wide	2	80414
34	Ramp Structure	2	80422
35	Stop-Track	2	80421
	Hex Screw (Ramp & Stop to Track) 3/4x2-1/4 Gr 5	16	80439
	Hex Nut-Nylock 3/4 - 10 NC	16	80427
#	Chock Structure	1	80435
OPTIONAL EQUIPMENT			
35	3' Track Extension Kit (2 Sections)	1	80811
37	6' Track Extension Kit (4 Sections)	1	80440
25#	AC Power Unit-1-1/2 HP-3Ø-60 Hz-230V	1	80473
	Connecting Body 3 Ø - 4 Wire Ground	1	80140
#	Not Shown		