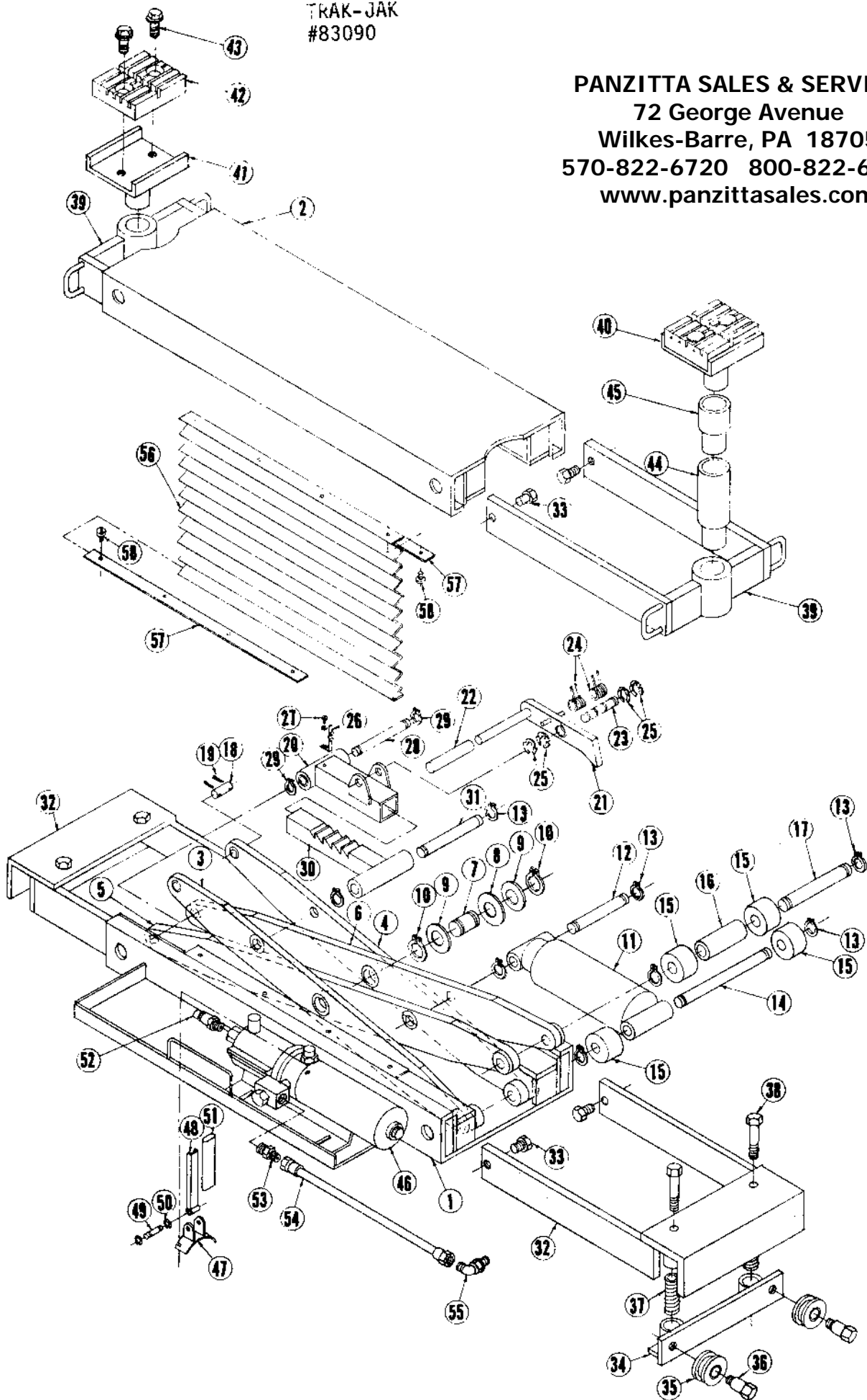


TRAK-JAK
#83090

PANZITTA SALES & SERVICE
72 George Avenue
Wilkes-Barre, PA 18705
570-822-6720 800-822-6720
www.panzittasales.com



TRAK-JAK ASSEMBLY
#83090

Code	Part Name	Qty.	Part No.
-	Trak Jak Assembly - Consists Of Following:	1	83090
1	Jak Platform Structure - Bottom	1	83091
2	Channel Structure - Top	1	83099
3	Arm Assembly - LH Outer	1	83101
4	Arm Assembly - RH Outer	1	83102
5	Arm Assembly - LH Inner	1	83103
6	Arm Assembly - RH Inner	1	83104
-	Bronze Bushing 1.0035 ID (1 Inc. Each Arm)	-	83113
-	Bronze Bushing .439 ID (1 Inc. Each Arm)	-	83114
7	Arm Pin - Center	2	83115
8	Bearing - Thrust - Bronze	2	83116
9	Flat Washer 2 OD - 1 ID x 10 Ga.	4	100143
10	Retaining Ring - Heavy Duty 1"	4	100316
11	Hydraulic Cylinder	1	83117
12	Pin - Cylinder - Upper (Inner Arm)	1	83119
13	Retaining Ring 5/8	8	100317
14	Pin - Cylinder - Lower (Outer Arms)	1	83120
15	Roller	4	83121
16	Tube Spacer - Upper	1	83122
17	Pin - Roller - Upper	1	83123
18	Pin - Arm - (Upper Outer)	2	83124
19	Cotter Pin 3/32 x 1	4	100189
20	Pivot Assembly - Latch	1	83125
-	Bronze Bushing .439 ID	2	83114
21	Latch Assembly	1	83131
-	Bronze Bushing .439 ID	1	83114
22	Vinyl Cover - Handle	1	83135
23	Pin - Latch Pivot	1	83136
24	Torsion Spring	2	80739
25	Retaining Ring 7/16 Dia.	4	100320
26	Latch - Catch	1	83138
27	Pan Head Machine Screw 1/4-20NC x 1/4	1	100319
-	Steel Washer 1 1/4 OD x 9/32 ID x 16 Ga.	1	100331
28	Pin - Pivot Str. - Lower (Inner Arm)	1	83137
29	Retaining Ring 7/16	2	100301
30	Rack Structure	1	100139
31	Pin - Rack - Upper (Outer Arm)	1	83142
32	Extension Structure - Bottom	2	83143
33	Hex Screw (Stop Bolt) 3/8-16NC x 1/2	8	80814
34	Wheel Support Structure	2	83147
35	Roller Assembly - Guide Consists Of:	4	83151
	1 - 83152 Roller		
	1 - 83153 Bronze Bushing 1/2 ID		
36	Shoulder Screw	4	100321
37	Die Spring	4	100322
38	Hex Screw 3/8-16NC x 3	4	100323
39	Extension Structure - Top	2	83154
40	Lift Pad Assembly Consists Of:	2	82591
41	1 - 82361 Pad Structure		
42	1 - 82365 Pad		
43	2 - 100313 HFHSL Screw 3/8-16NC x 5/8		
44	5" Extension Structure	2	81691
45	2 5/8" Extension Structure	2	81693

