

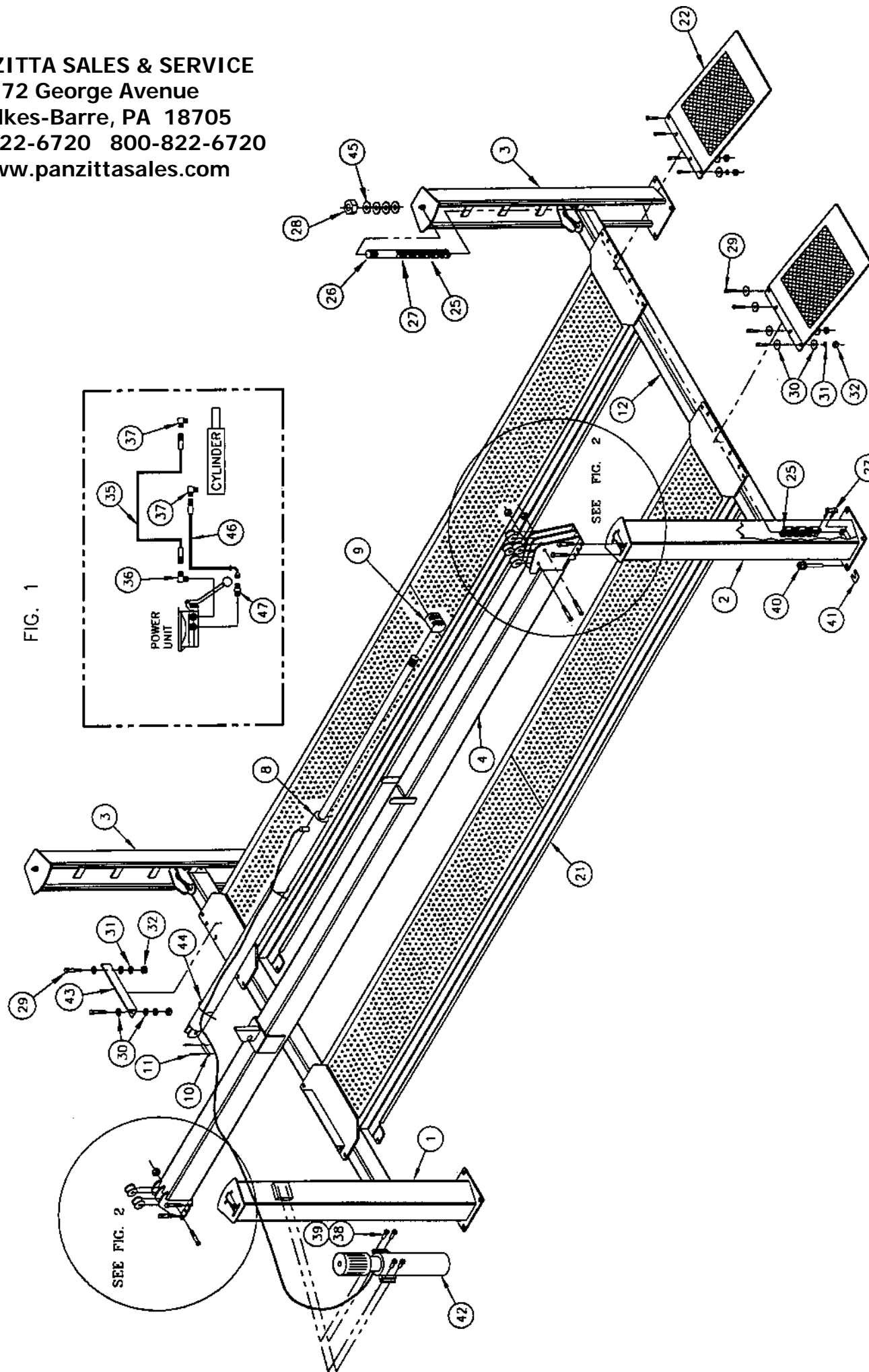
**PANZITTA SALES & SERVICE**  
72 George Avenue  
Wilkes-Barre, PA 18705  
570-822-6720 800-822-6720  
[www.panzittasales.com](http://www.panzittasales.com)

# **BEN PEARSON BAYMASTER**

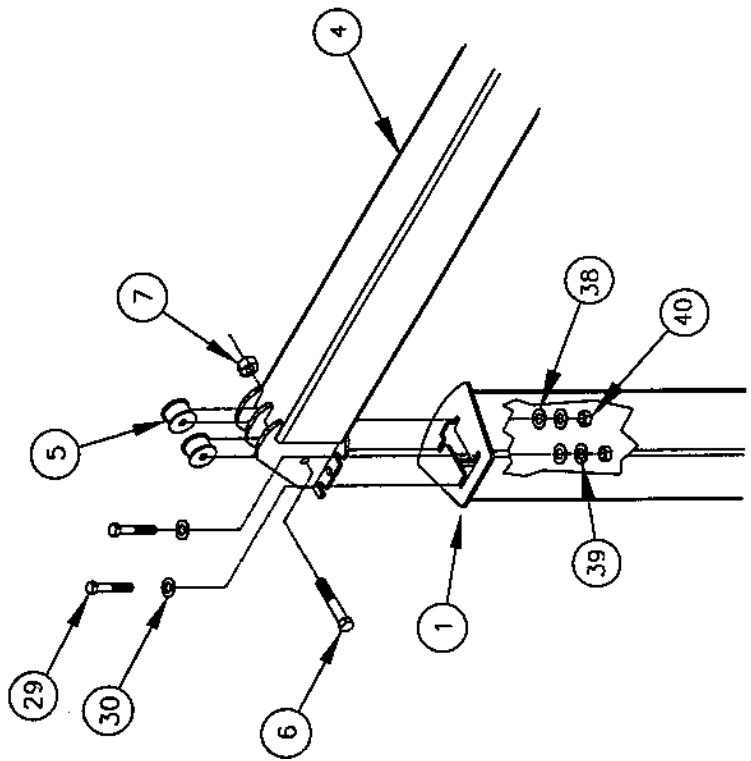
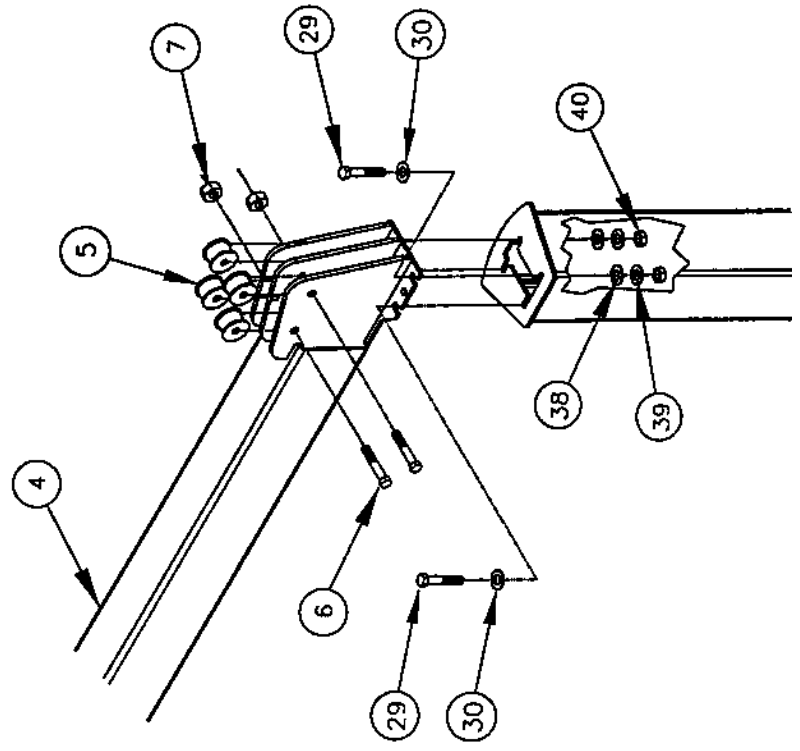
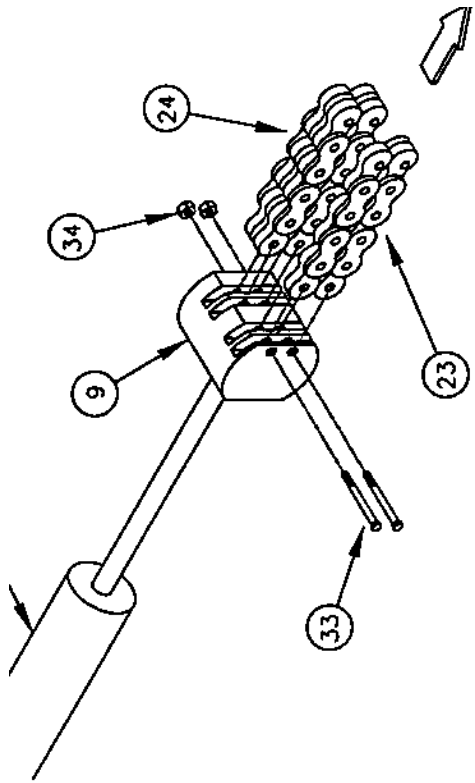
## **PARTS MANUAL - 25000 & 30000 4 POST LIFT**

25000 30000 BAYMASTER.max

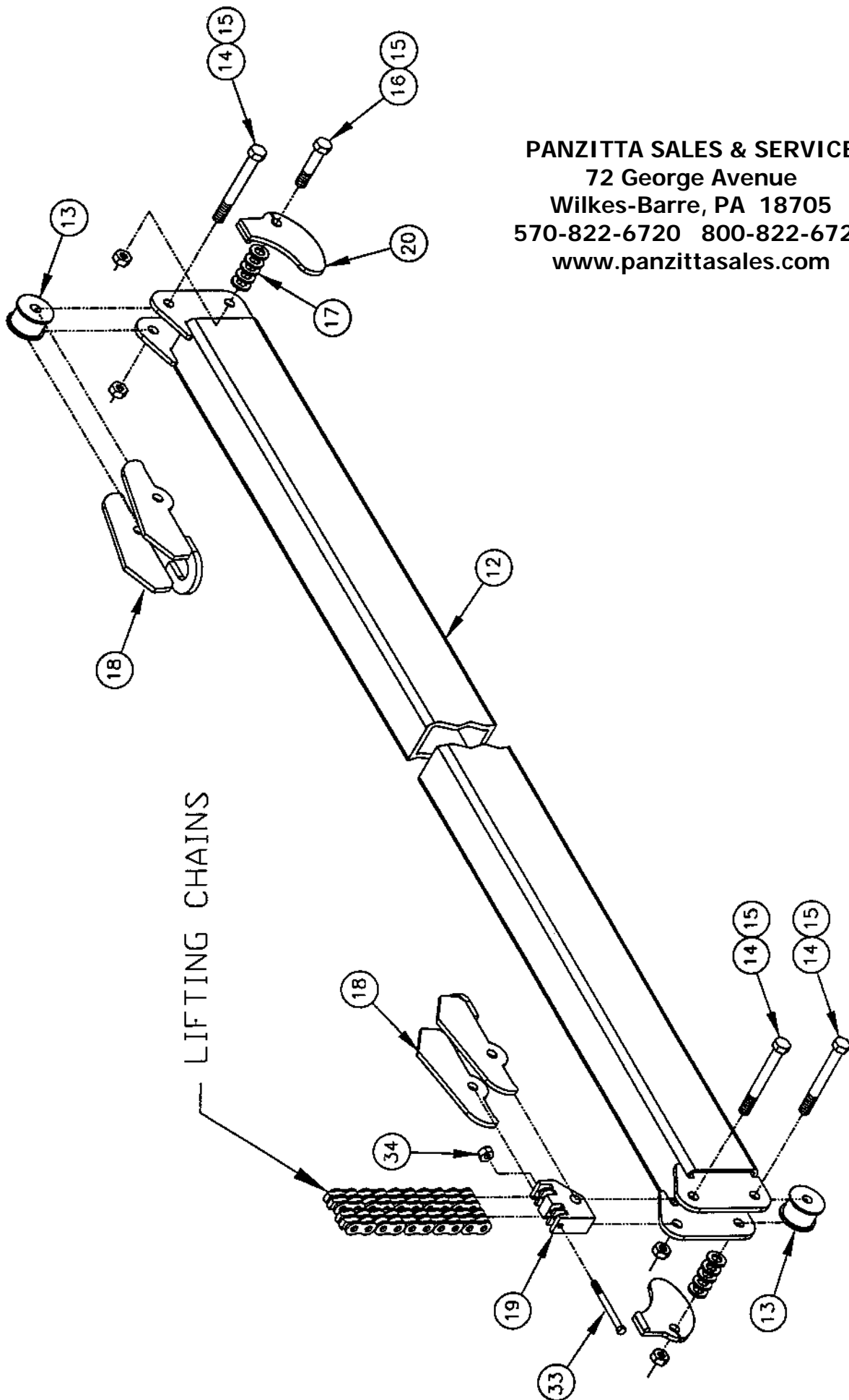
**PANZITTA SALES & SERVICE**  
 72 George Avenue  
 Wilkes-Barre, PA 18705  
 570-822-6720 800-822-6720  
 www.panzittasales.com



PANZITTA SALES & SERVICE  
72 George Avenue  
Wilkes-Barre, PA 18705  
570-822-6720 800-822-6720  
www.panzittasales.com



PANZITTA SALES & SERVICE  
72 George Avenue  
Wilkes-Barre, PA 18705  
570-822-6720 800-822-6720  
www.panzittasales.com



09/30/98

LIFT MODEL		25000-4		25000-4W		30000-4		30000-4W	
LIFT PART NUMBER		90019	QT	90037	QT	90024	QT	90038	QT
1	POST STRUCTURE - MAIN PUJ	91175	1	91175	1	91175	1	91175	1
2	POST STRUCTURE - MAIN REAR	91183	1	91183	1	91183	1	91183	1
	POST STRUCTURE - OFFSIDE	91184	2	91184	2	91184	2	91184	2
#	HORIZONTAL BEAM with BEARINGS	91187	1	91187	1	91356	1	91356	1
4	HORIZONTAL BEAM STRUCTURE	91188	1	91188	1	91357	1	91357	1
5	BEARING ASSEMBLY	91195	6	91195	6	91195	6	91195	6
6	HHS	101010	3	101010	3	101010	3	101010	3
7	NYLON NUT	101001	3	101001	3	101001	3	101001	3
	8 CYLINDER	91197	1	91197	1	91197	1	91197	1
	9 CYLINDER ADAPTER	91198	1	91198	1	91198	1	91198	1
	10 CYLINDER PIN - 4 POST	91199	1	91199	1	91199	1	91199	1
	11 ROLL PIN	103003	2	103003	2	103003	2	103003	2
#	CROSS TUBE ASSEMBLY	91200	2	91433	2	91359	2	91433	2
12	CROSS TUBE STRUCTURE	91201	1	91434	1	91360	1	91434	1
13	BEARING ASSEMBLY	91195	2	91195	2	91195	2	91195	2
14	HHS	101011	3	101011	3	101011	3	101011	3
15	NYLON JAM NUT	101002	4	101002	4	101002	4	101002	4
16	HEX SCREW	101000	1	101000	1	101000	1	101000	1
17	FLAT WASHER	100512	10	100512	10	100512	10	100512	10
18	SAFETY STRUCTURE	91205	2	91205	2	91205	2	91205	2
19	CHAIN ANCHOR - CROSS TUBE	91208	1	91208	1	91208	1	91208	1
20	RESET STRUCTURE - SAFETY	91295	2	91295	2	91295	2	91295	2
21	TRACK STRUCTURE	91380	2	91380	2	91380	2	91380	2
22	RAMP STRUCTURE	91385	2	91385	2	91385	2	91385	2
23	LIFT CHAIN - LONG	91222	2	91222	2	91222	2	91222	2
24	LIFT CHAIN - SHORT	91223	2	91223	2	91223	2	91223	2
#	CROSS CHAIN ASSEMBLY	91224	2	91436	2	91224	2	91436	2
25	CROSS CHAIN	91225	1	91437	1	91225	1	91437	1
26	CHAIN ANCHOR STUD	91226	1	91226	1	91226	1	91226	1
27	MASTER LINK	91227	2	91227	2	91227	2	91227	2
28	NYLON NUT	101007	1	101007	1	101007	1	101007	1
45	FLATWASHER	100143	4	100143	4	100143	4	100143	4
29	HEW SCREW	100016	8	100016	8	100016	8	100016	8
30	FLAT WASHER	100152	16	100152	16	100152	16	100152	16
31	LOCKWASHER	100125	20	100125	20	100125	20	100125	20
32	HEX NUT	100124	20	100124	20	100124	20	100124	20
33	SHOULDER BOLT	101012	4	101012	4	101012	4	101012	4
34	NYLON NUT 5/16"	101013	4	101013	4	101013	4	101013	4
35	HYDRAULIC HOSE	91229	1	91229	1	91229	1	91229	1
36	ELBOW	60368	1	60368	1	60368	1	60368	1
37	ELBOW	105004	2	105004	2	105004	2	105004	2
38	HHFL SCREW	100234	4	100234	4	100234	4	100234	4
39	HH FL NUT	100237	4	100237	4	100237	4	100237	4
46	HYDRAULIC HOSE	91453	1	91453	1	91453	1	91453	1
47	MALE CONNECTOR	60052	1	60052	1	60052	1	60052	1
40	ANCHOR BOLT	95000	16	95000	16	95000	16	95000	16
41	SHIMS	95001	24	95001	24	95001	24	95001	24
42	POWER UNIT 1 PHASE 220V 4 HP	95020	1	95020	1	95020	1	95020	1
43	TIRE STOP	91220	2	91220	2	91220	2	91220	2
44	PLASTIC TIE	103015	2	103015	2	103015	2	103015	2
#	NAMEPLATE	62249	1	62249	1	62249	1	62249	1
#	BEN PEARSON DECAL 5X36 MYLAR	95005	2	95005	2	95005	2	95005	2
#	PB/800 DECAL 2X5 MYLAR	95006	1	95006	1	95006	1	95006	1
#	CAUTION DECAL 25.000LB	95028	1	95028	1	95029	1	95029	1
#	BLUE TOUCH-UP PAINT (12OZ.) SPRAY	103007	1	103007	1	103007	1	103007	1
#	YELLOW TOUCH-UP PAINT (12OZ.) SPRAY	103008	1	103008	1	103008	1	103008	1
	WARRANTY CARD	83423	1	83423	1	83423	1	83423	1
	MANUAL	95054	1	95054	1	95054	1	95054	1