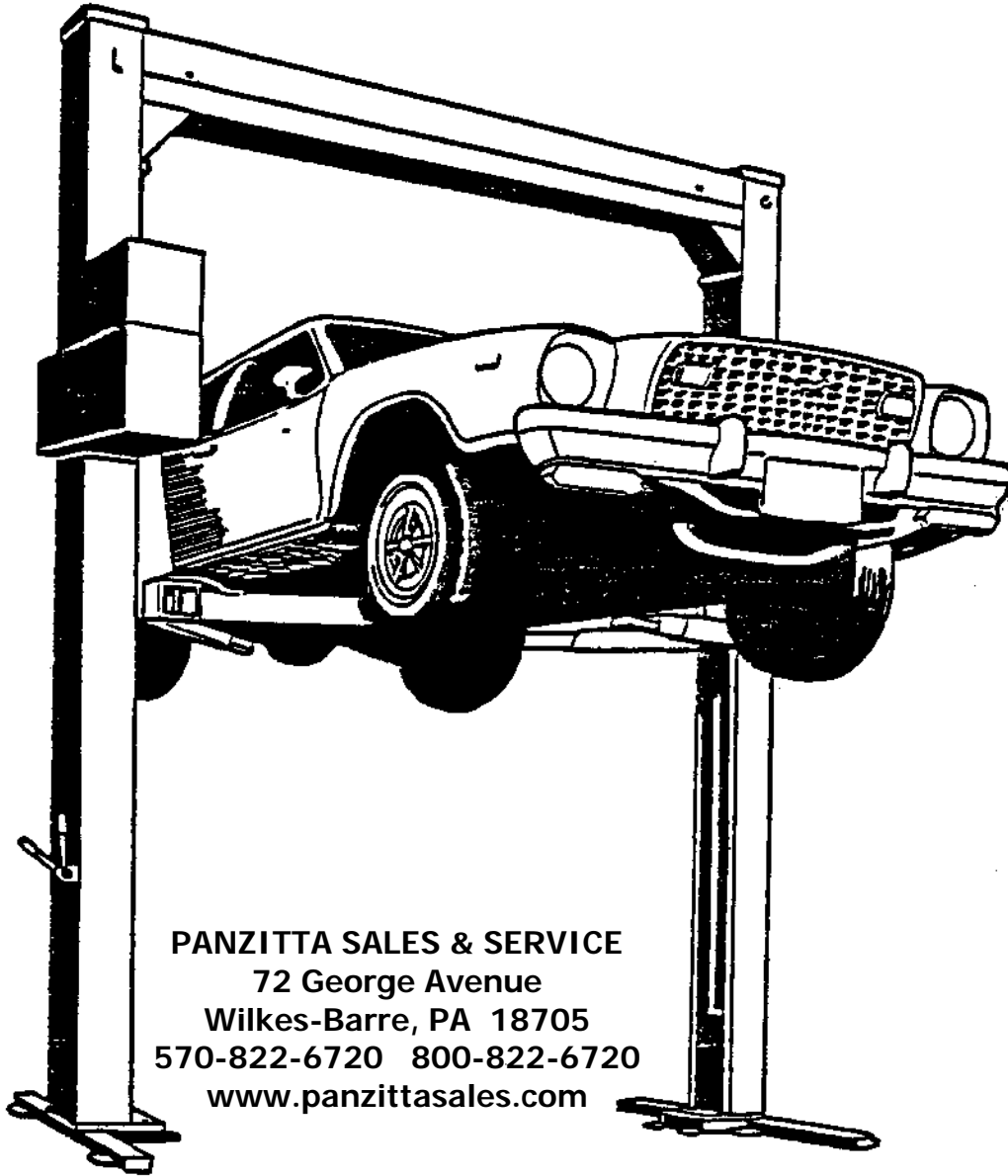


**TPO-55
& TPO-7**

SINGLE PHASE
THREE PHASE



PANZITTA SALES & SERVICE
72 George Avenue
Wilkes-Barre, PA 18705
570-822-6720 800-822-6720
www.panzittasales.com

Benwil

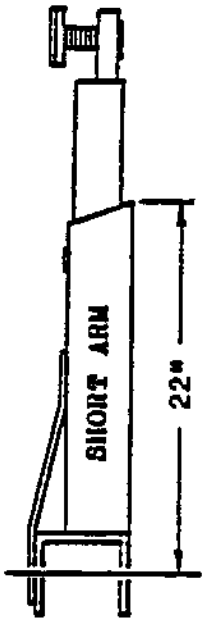
Industries, Inc.



PARTS BREAKDOWNS



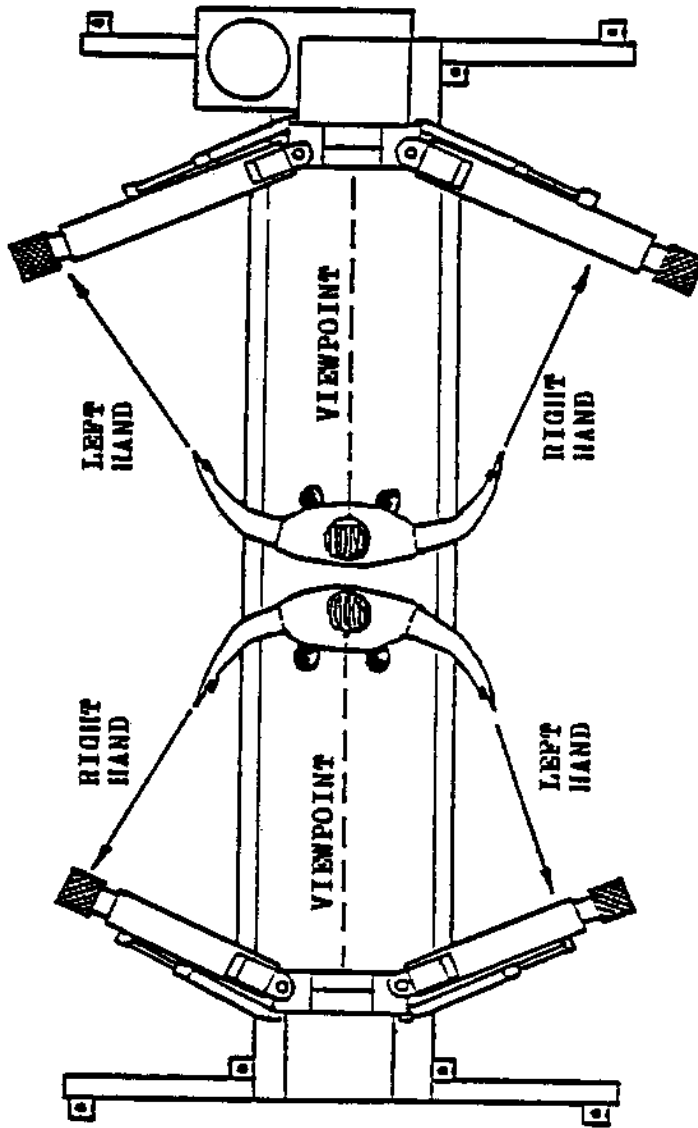
TPO-7 PART No.
 RIGHT HAND 204049



TPO-55 PART No.
 RIGHT HAND 205130
 LEFT HAND 204056



TPO-55 PART No.
 RIGHT HAND 205131
 LEFT HAND 204055



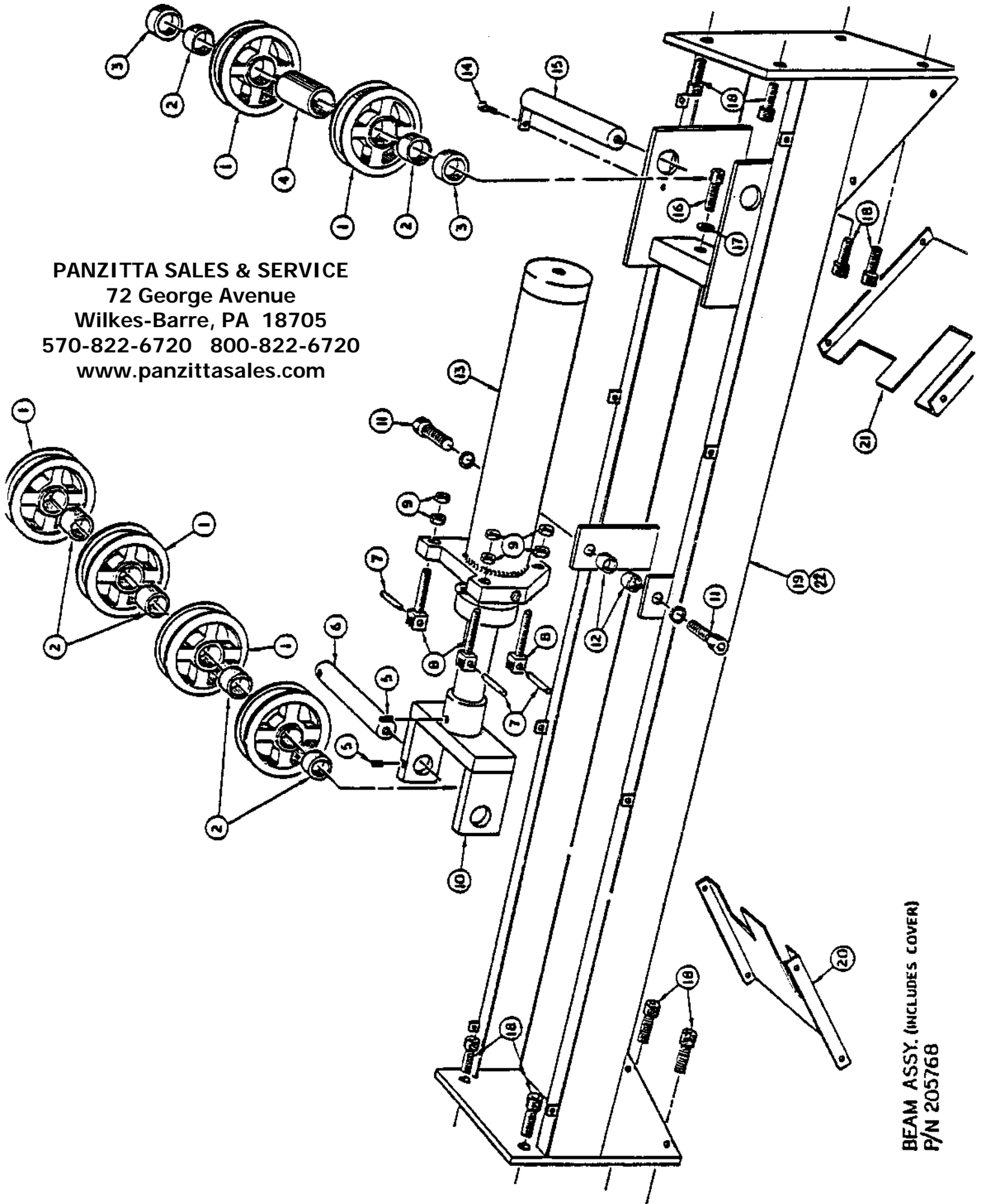
HOW TO VIEW ARMS FOR ORDERING

NOTE: THE TPO-55 HAS SHORT ARMS ON ONE SIDE AND LONG ARMS ON THE OTHER SIDE (SEE ABOVE ILLUSTRATION)



TPO-7 PART No.
 LEFT HAND 205125

PANZITTA SALES & SERVICE
72 George Avenue
Wilkes-Barre, PA 18705
570-822-6720 800-822-6720
www.panzittasales.com



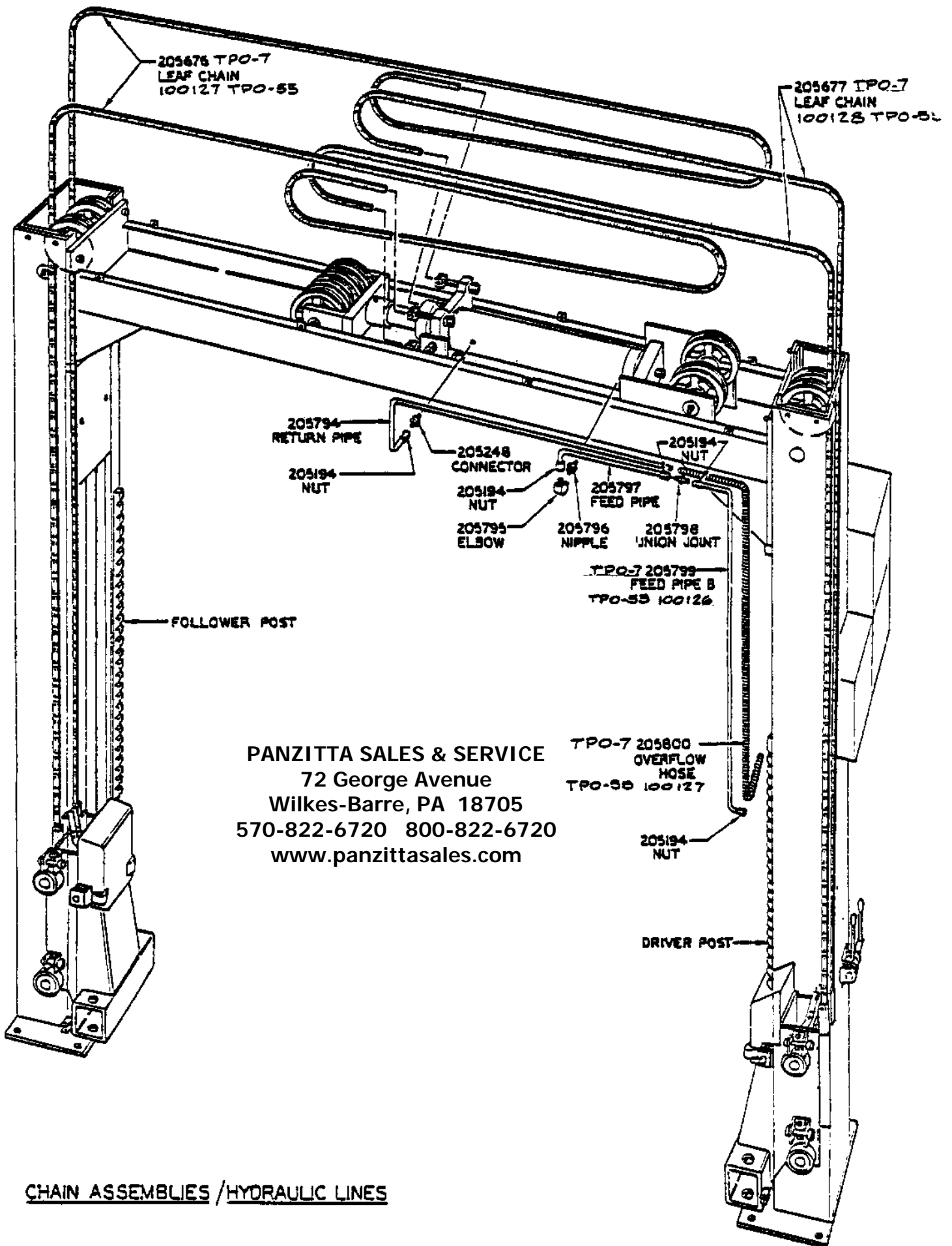
BEAM ASSY. (INCLUDES COVER)
P/N 205768

PANZITTA SALES & SERVICE
 72 George Avenue
 Wilkes-Barre, PA 18705
 570-822-6720 800-822-6720
 www.panzittasales.com

BEAM ASSEMBLY

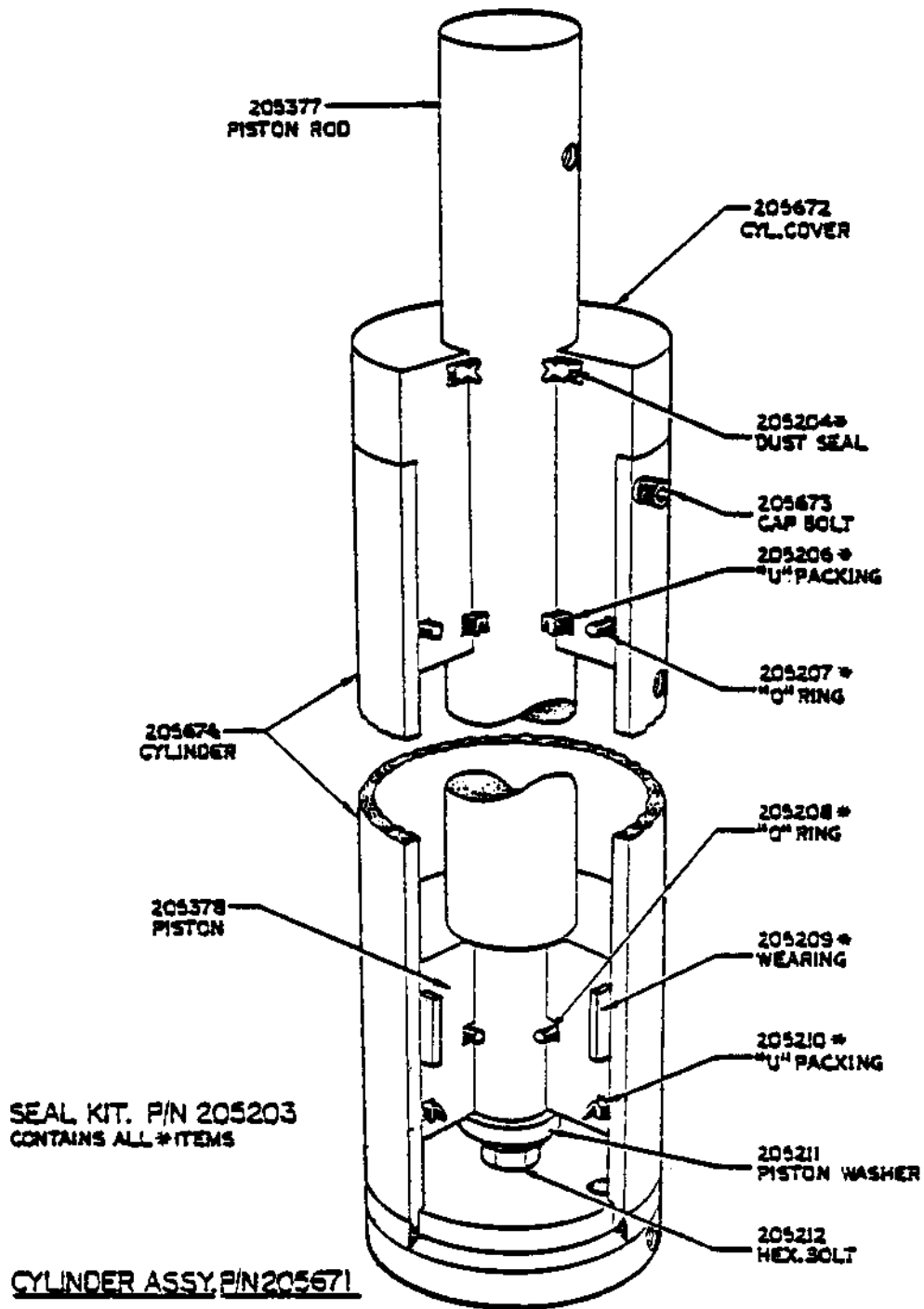
No.	DESCRIPTION	PART No.	QTY.
1	Chain wheel	205657	6
2	Metal	205196	6
3	Spacer A (Small)	205660	2
4	Spacer A (Big)	205214	1
5	Socket head cap bolt	205320	2
6	Chain wheel shaft	205661	1
7	Chain end axle	206600	4
8	Chain rod	205664	4
9	Hex.nut	205665	8
10	Chain bracket	205663	1
11	Socket head cap bolt	205666	2
12	Flange collar	205667	2
13	Cylinder assy.	205671	1
14	Hex.bolt	205336	1
15	Chain wheel axle C	205662	1
16	Socket head cap bolt	205668	1
17	Lock washer	205669	1
18	Socket head cap screw	205745	8
19	Beam (TPO-7)	205746	1
20	Sub beam support cover	205751	1
21	Main beam support cover	205752	1
22	Beam (TPO-55)	100125	1

TPO-55,-7.max



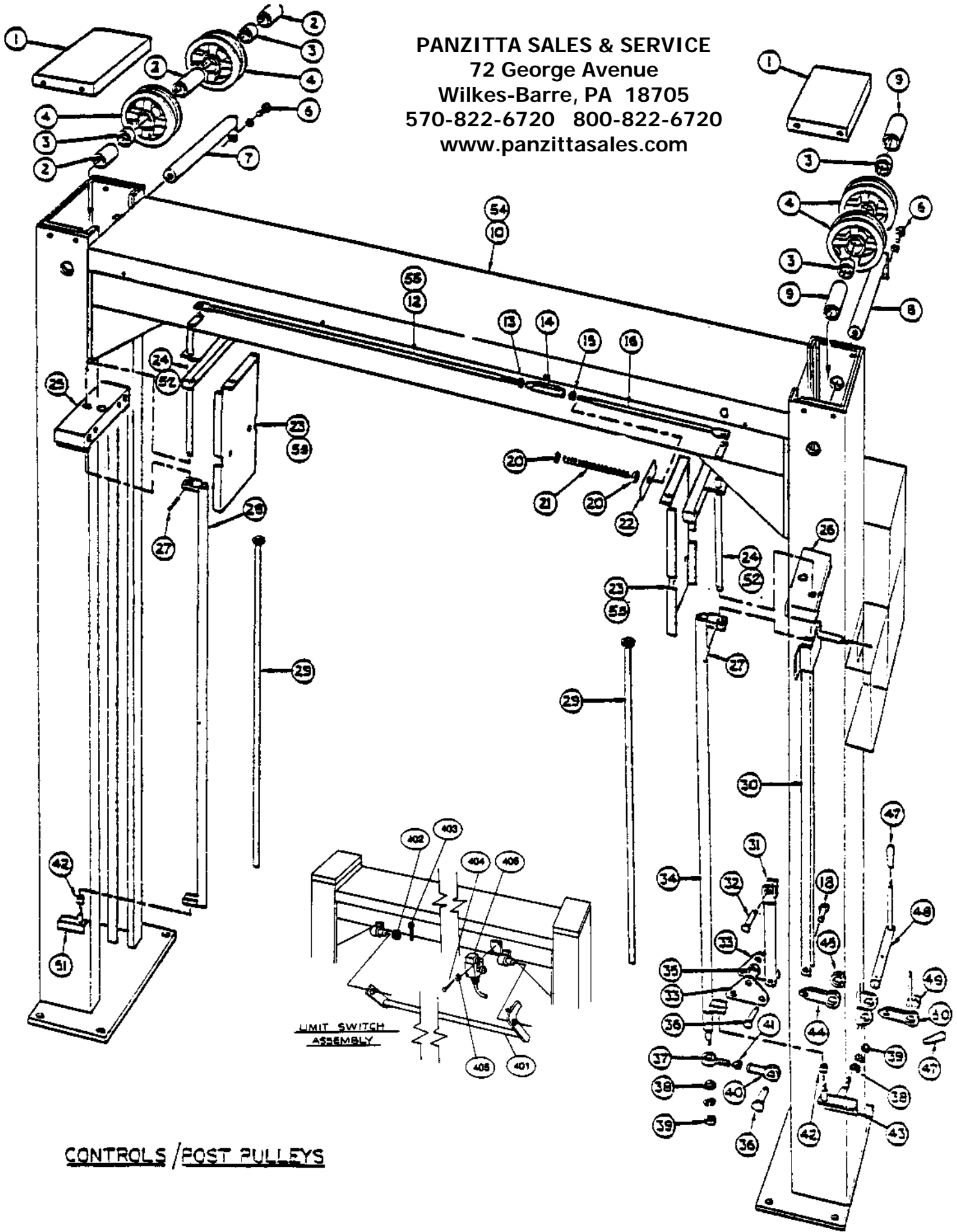
CHAIN ASSEMBLIES / HYDRAULIC LINES

PANZITTA SALES & SERVICE
 72 George Avenue
 Wilkes-Barre, PA 18705
 570-822-6720 800-822-6720
 www.panzittasales.com



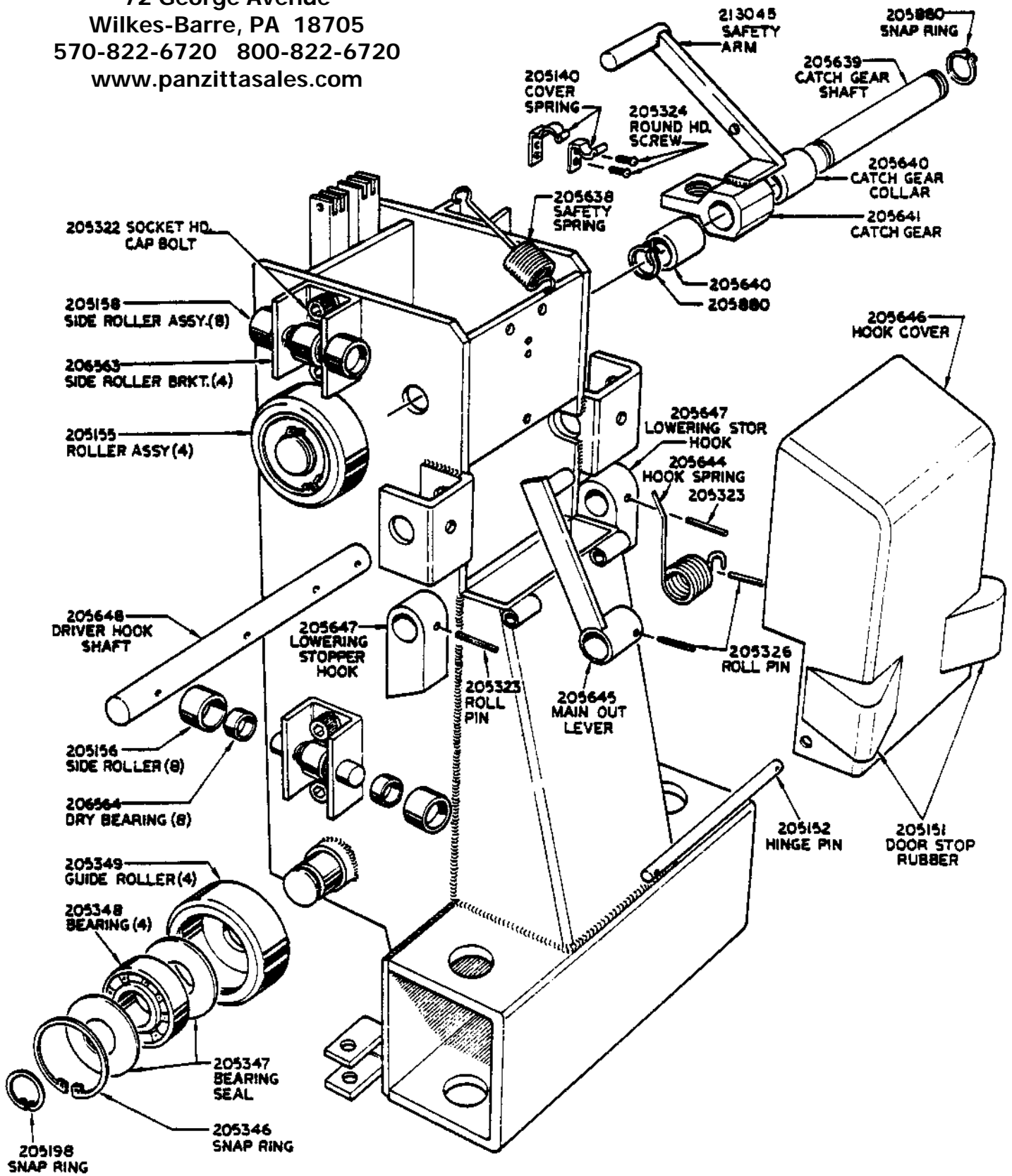
TPO-55,-7.max

PANZITTA SALES & SERVICE
72 George Avenue
Wilkes-Barre, PA 18705
570-822-6720 800-822-6720
www.panzittasales.com



CONTROLS / POST PULLEYS

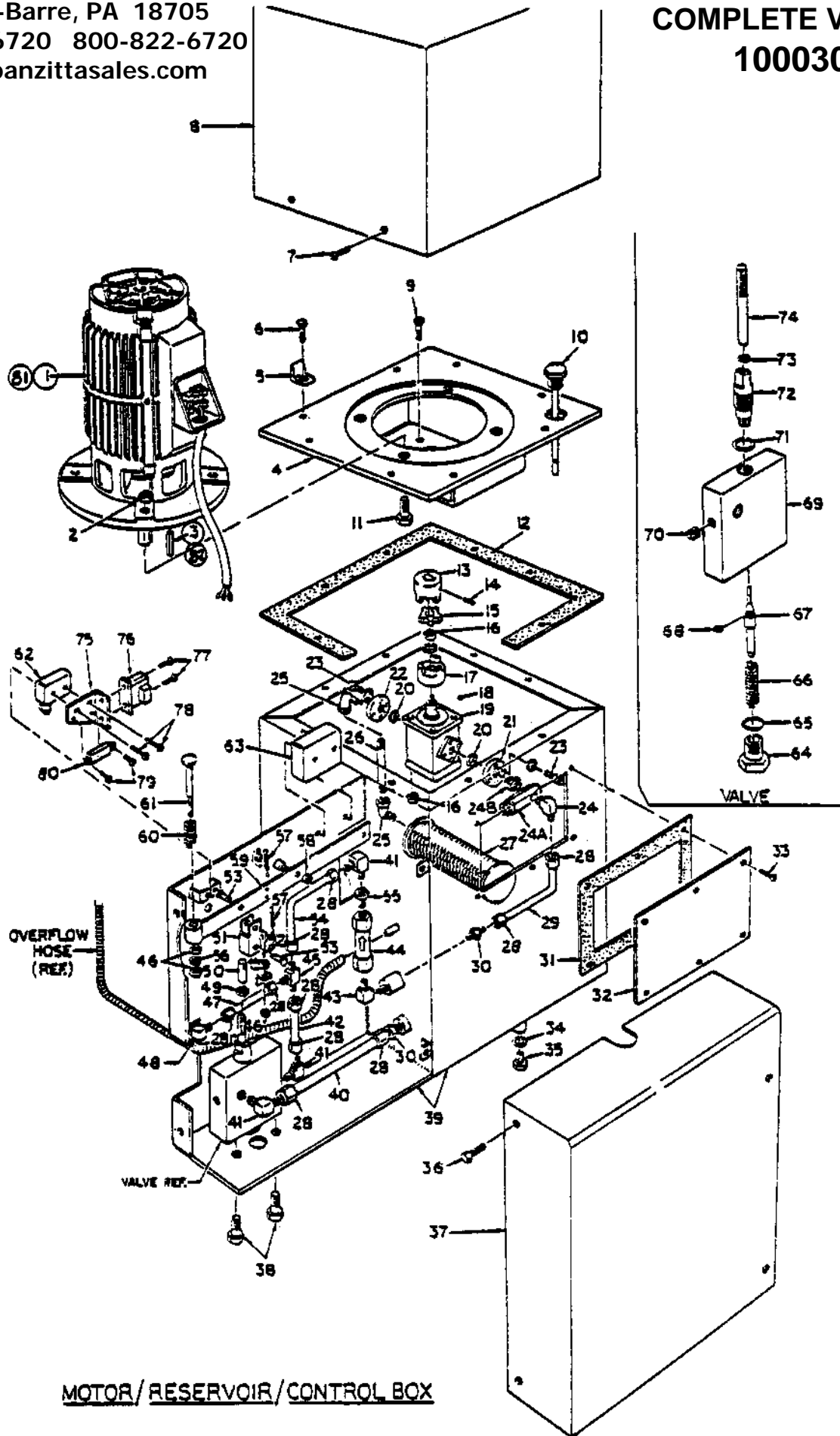
PANZITTA SALES & SERVICE
 72 George Avenue
 Wilkes-Barre, PA 18705
 570-822-6720 800-822-6720
 www.panzittasales.com



CARRIAGE ASSY.-DRIVER POST

PANZITTA SALES & SERVICE
 72 George Avenue
 Wilkes-Barre, PA 18705
 570-822-6720 800-822-6720
 www.panzittasales.com

**COMPLETE VALVE:
 100030**



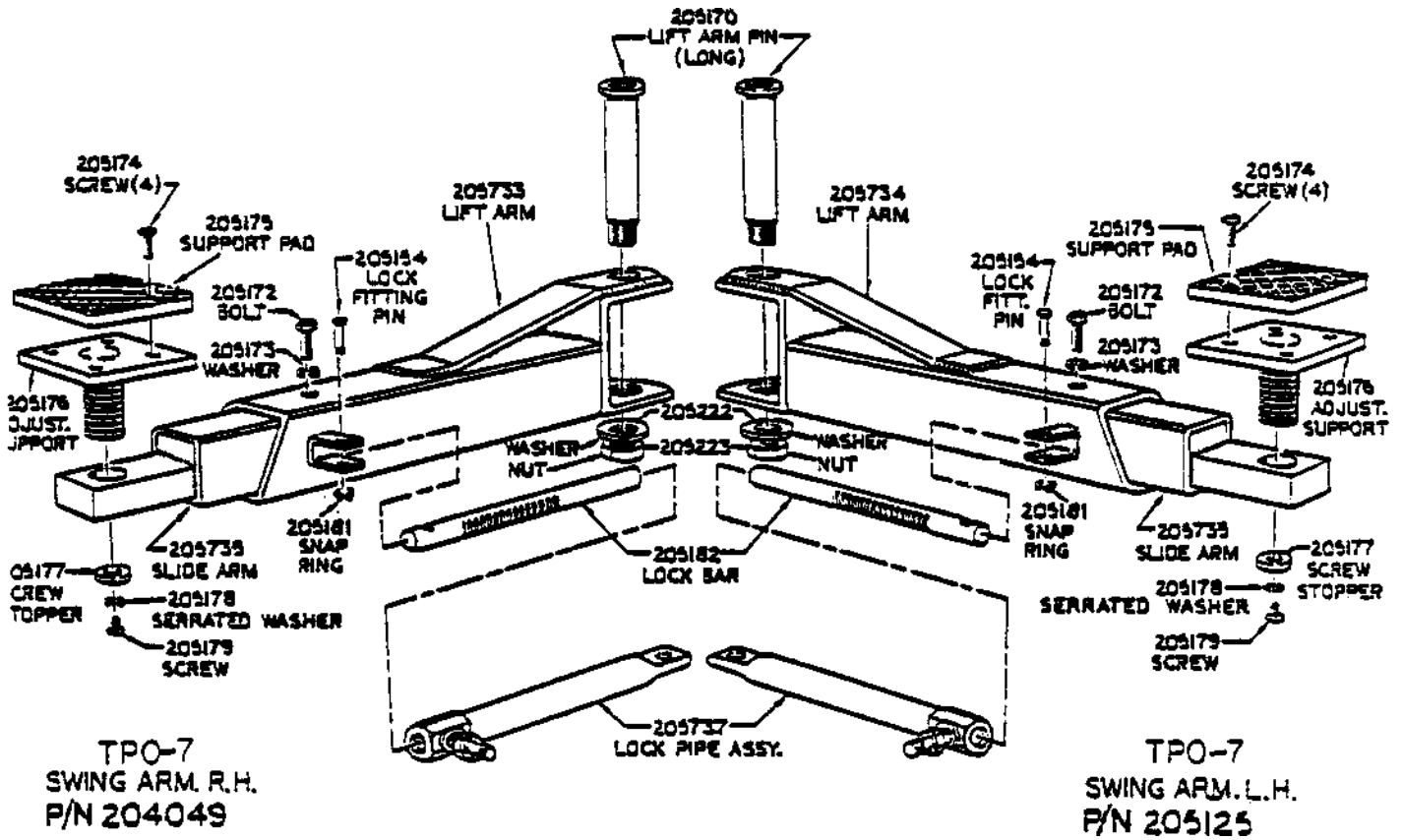
MOTOR / RESERVOIR / CONTROL BOX

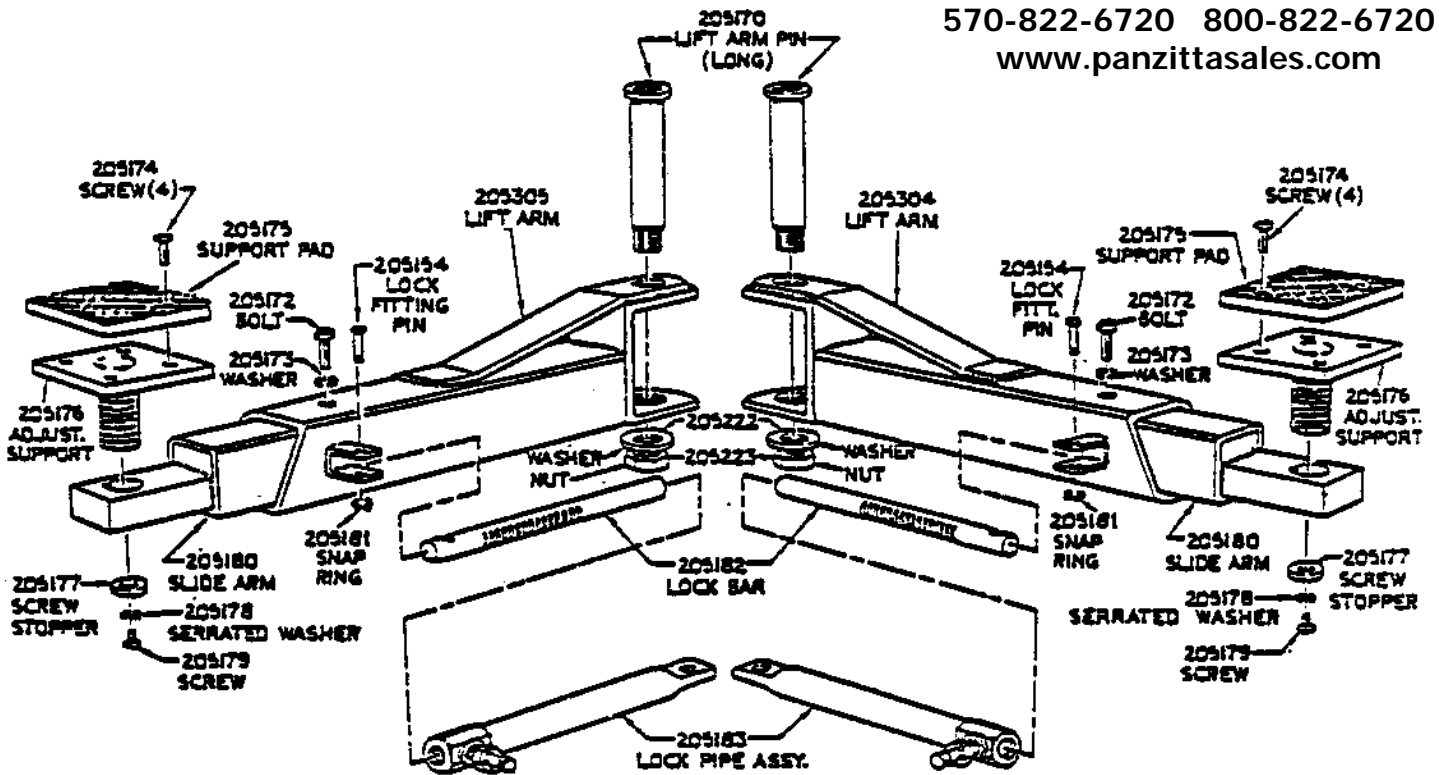
PANZITTA SALES & SERVICE
72 George Avenue
Wilkes-Barre, PA 18705
570-822-6720 800-822-6720
www.panzittasales.com
MOTOR/RESERVOIR/CONTROL BOX

NO.	DESCRIPTION	PART No.	QTY
1	Upright motor-1 Phase	206496	1
	Motor-3 Phase (TPO-7)	206497	1
2	Hex.nut	206534	4
3	Key-1 Phase	206531	1
	Key-3 Phase (TPO-7)	206567	1
4	Motor/Pump bracket	206529	1
5	Motor cover bracket	206560	4
6	Hex.bolt	205311	8
7	Round head small screw	205325	4
8	Motor cover	205861	1
9	Hex.bolt	205313	4
10	Level bar	205308	1
11	Hex.bolt	206566	4
12	Packing	205315	1
13	Coupling 3-1 Phase	206596	1
	Coupling 3-3 Phase	206563	1
14	Socket head cap screw	205235	1
15	Cushion rubber	205236	1
16	Hex.nut	205237	5
17	Coupling A	205238	1
18	Key	205244	1
19	Gear pump	205243	1
20	"O" Ring	205242	2
21	Pump joint	205245	1
22	Suction joint	205239	1
23	Socket head cap bolt	205240	2
24	Male elbow	205193	1
24A	Relief valve	206540	1
24B	Nipple	206541	1
25	Male/Female elbow	205241	2
26	Suction pipe	205250	1
27	Suction filter	205249	1
28	Nut	205194	10
29	Pump joint pipe	205247	1
30	Connector	205248	2
31	Gasket	205316	1
32	Cover	205317	1
33	Round head small screw	205318	6
34	"O" Ring	205273	1
35	Hex.bolt	205274	1
36	Hex.bolt	205345	4
37	Cover	205275	1
38	Hex.bolt	205344	2

No.	DESCRIPTION	PART No.	QTY
39	Oil tank assembly	205275	1
40	Oil return pipe	205271	1
41	Right elbow	205193	3
42	Oil return pipe	205270	1
43	Male/Female elbow	205269	1
44	Check valve	205258	1
45	Union Tee	205266	1
46	Hex.nut	205256	4
47	Joint pipe	205255	1
48	Right union elbow	205264	1
49	Hex.nut	205253	1
50	Valve adjuster	205262	1
51	Valve adjuster joint	205251	1
52	Neutral adjuster bolt	205260	1
53	Pin	205257	2
54	Check pipe	205259	1
55	Bushing	205267	1
56	Plain washer	-----	1
57	Neutralizer spring	205258	2
58	Hex.nut	205343	1
59	Switch lever	205255	1
60	Switch plunger spring	205254	1
61	Switch pin	205253	1
62	Micro switch	205252	1
63	Magnet switch-1 Phase	205387	1
	Magnet switch-3 Phase	206576	1
64	Valve socket	205277	1
65	"O" Ring	205278	1
66	Valve spring	205279	1
67	Valve plunger	205280	1
68	"O" Ring	205281	1
69	Valve body	205272	1
70	Socket head cap plug	205282	1
71	"O" Ring	205283	1
72	Valve housing	205284	1
73	"O" Ring	205285	1
74	Valve rod	205286	1
75	Trance bracket	206535	1
76	Trance	206536	1
77	Flat head small screw	205334	2
78	Flat head small screw	206577	2
79	Flat head small screw	206539	2
80	Terminal	206537	1
81	Motor-3 Phase (TPO-55)	205307	1
82	Key - 3 Phase (TPO-55)	205309	1

PANZITTA SALES & SERVICE
 72 George Avenue
 Wilkes-Barre, PA 18705
 570-822-6720 800-822-6720
 www.panzittasales.com

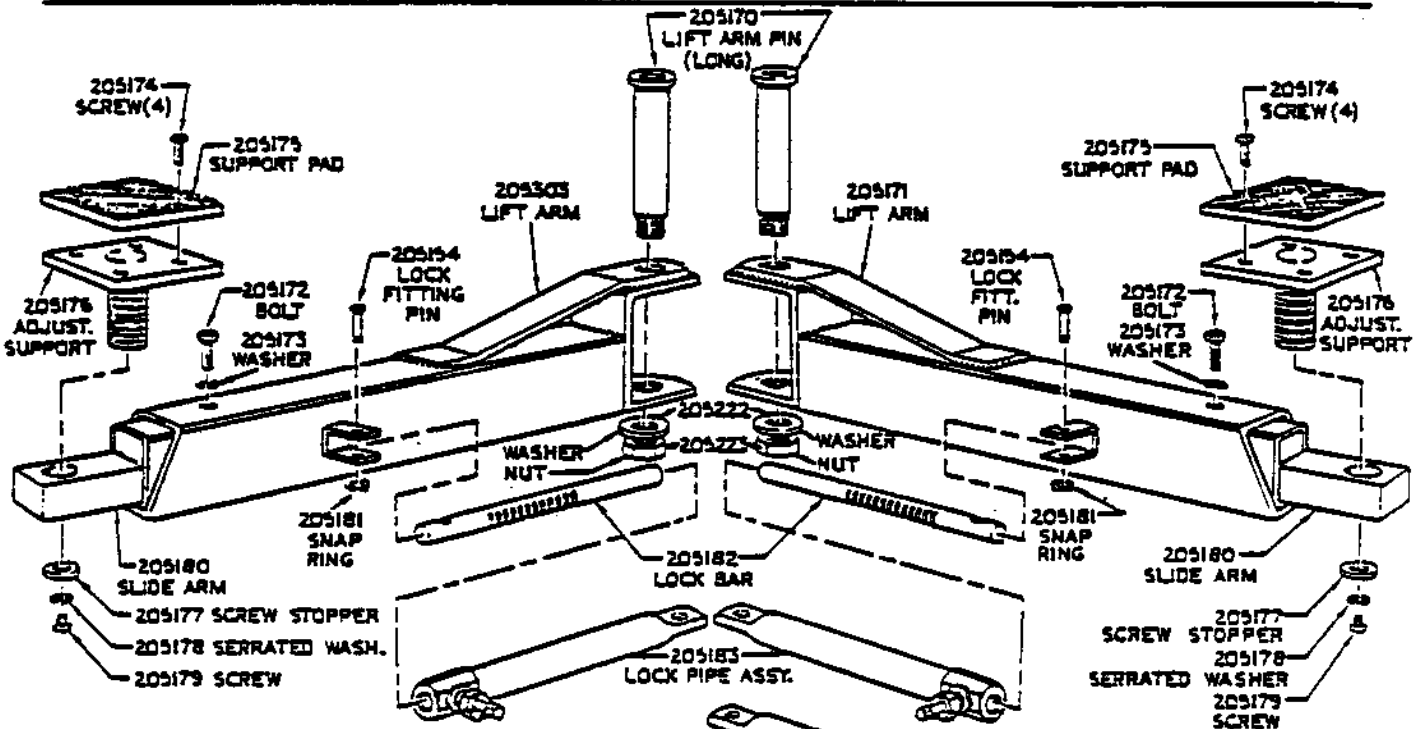




SWING ARM, R.H.
 FOLLOWER POST
 P/N 205130

TPO-55 SHORT ARMS

SWING ARM, L.H.
 FOLLOWER POST
 P/N 204056



SWING ARM, R.H.
 DRIVER POST
 P/N 205131

TPO-55 LONG ARMS

- 205384 LOCK PIPE
- 205385 ROLL PIN
- 205382 LOCK SPRING
- 205381 LOCK NUT
- 205380 LOCK BOLT
- 205379 LOCK KNOB
- 205383 LOCK PIN

SWING ARM, L.H.
 DRIVER POST
 P/N 204055