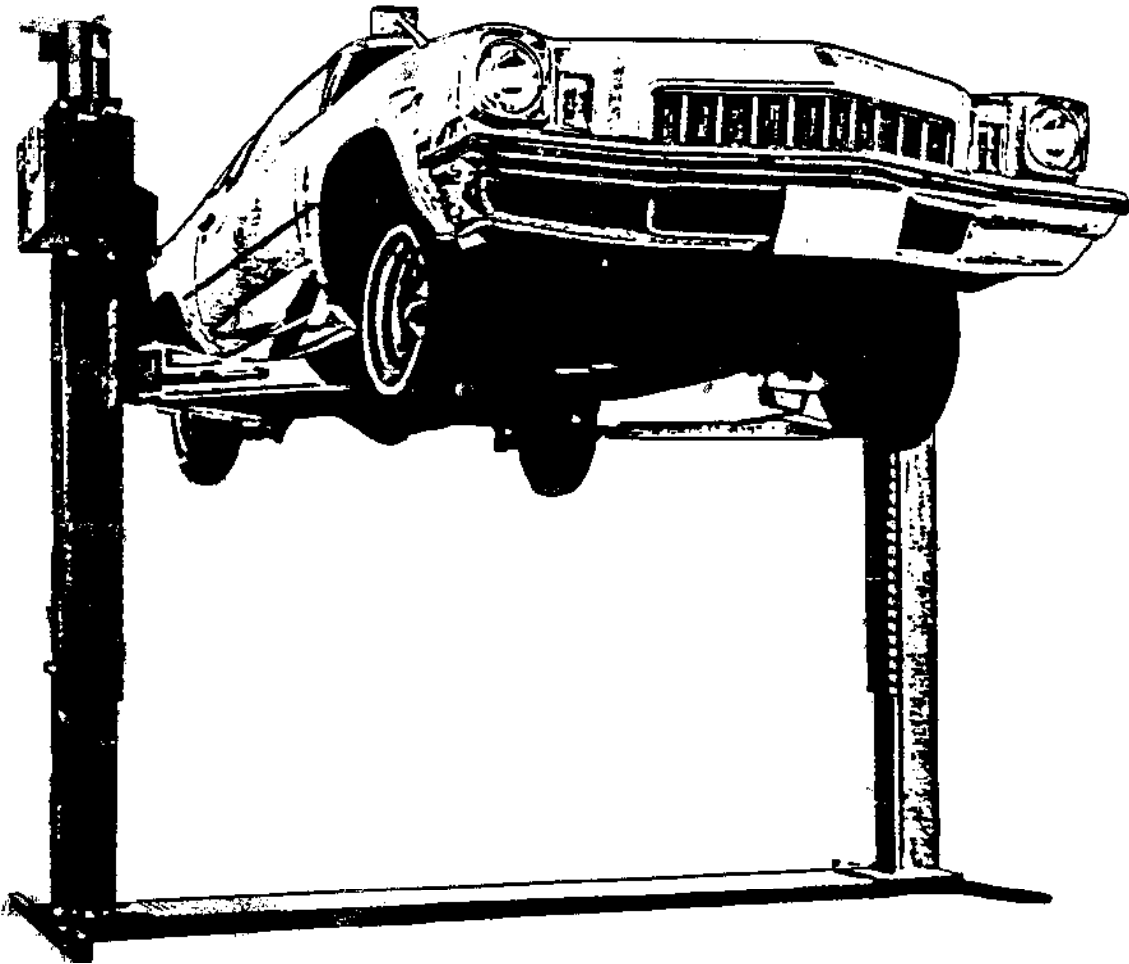


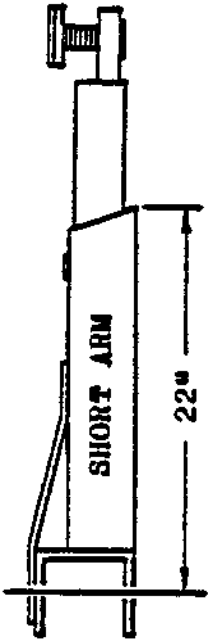
PANZITTA SALES & SERVICE  
72 George Avenue  
Wilkes-Barre, PA 18705  
570-822-6720 800-822-6720  
[www.panzittasales.com](http://www.panzittasales.com)

# TP-5

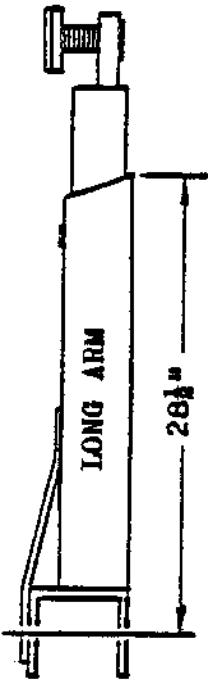
SINGLE PHASE  
THREE PHASE



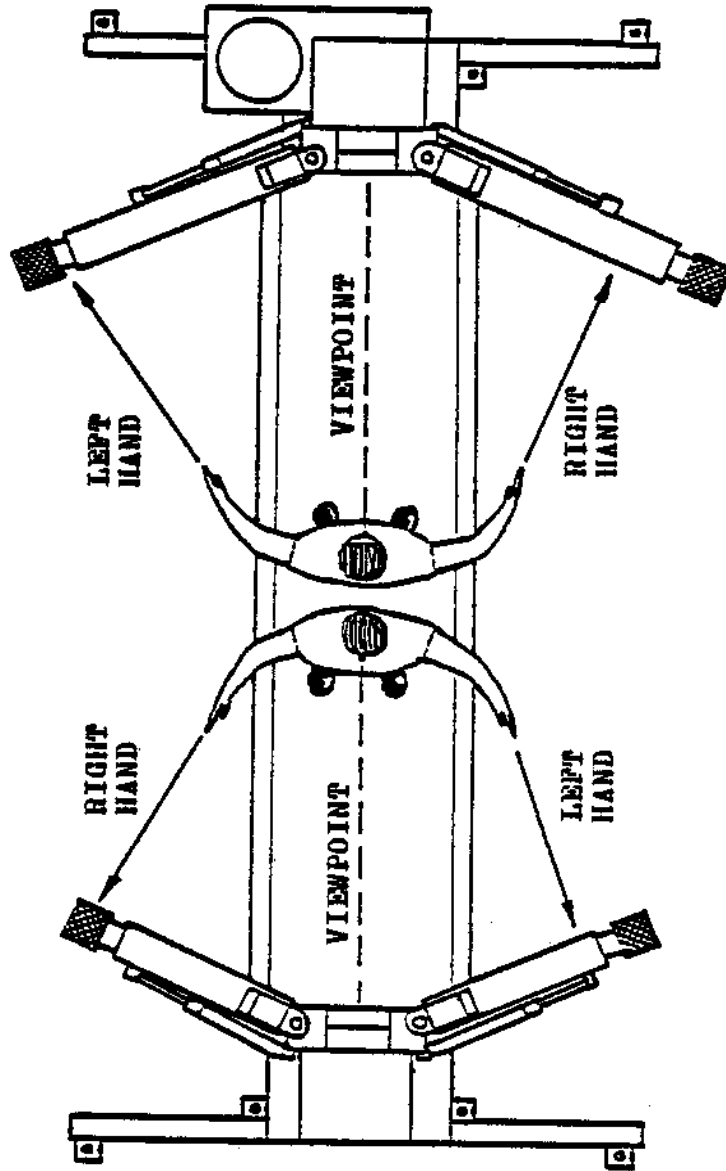
PANZITTA SALES & SERVICE  
72 George Avenue  
Wilkes-Barre, PA 18705  
570-822-6720 800-822-6720  
www.panzittasales.com



PART No.  
RIGHT HAND 205130  
LEFT HAND 204056

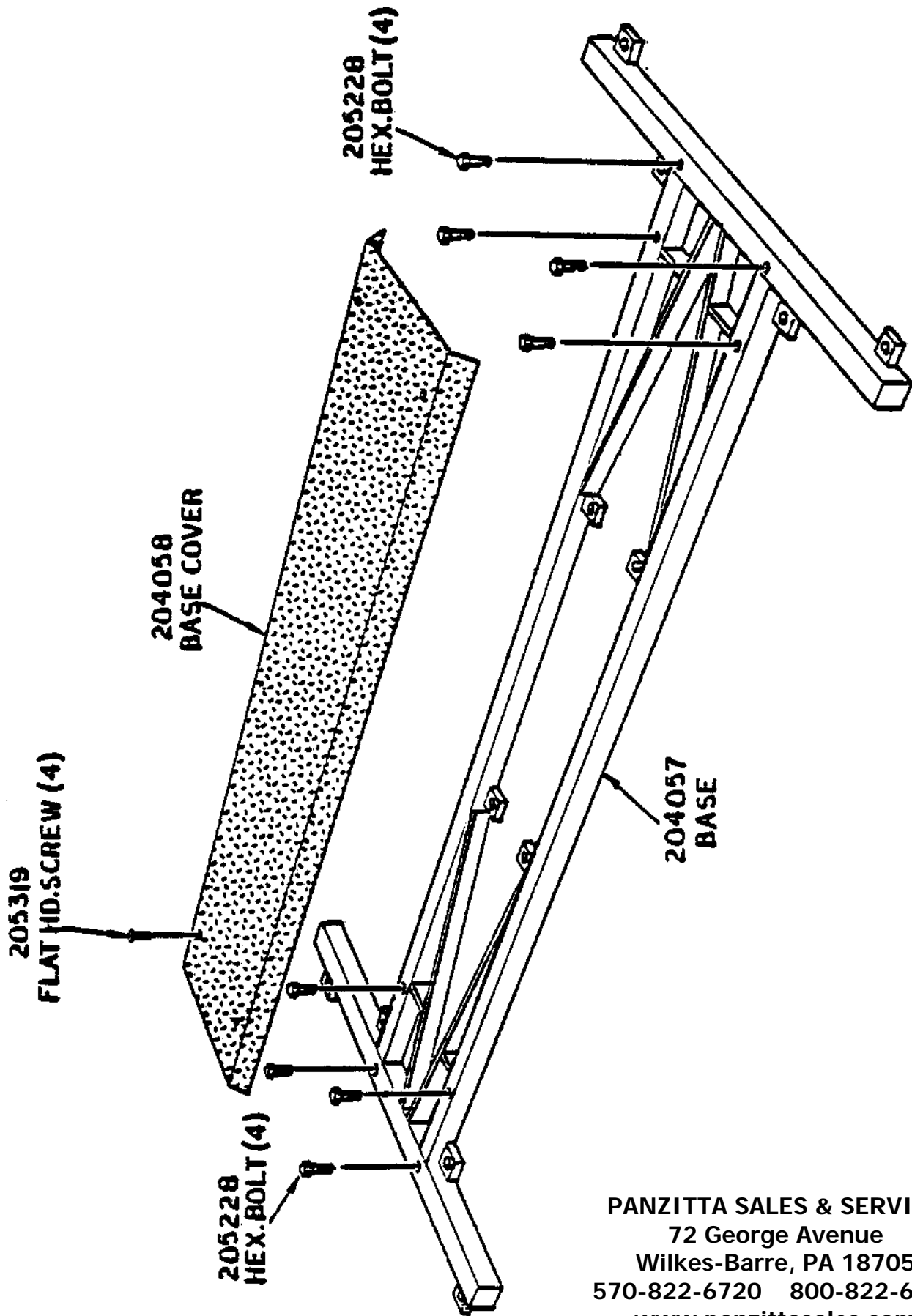


PART No.  
RIGHT HAND 205131  
LEFT HAND 204055



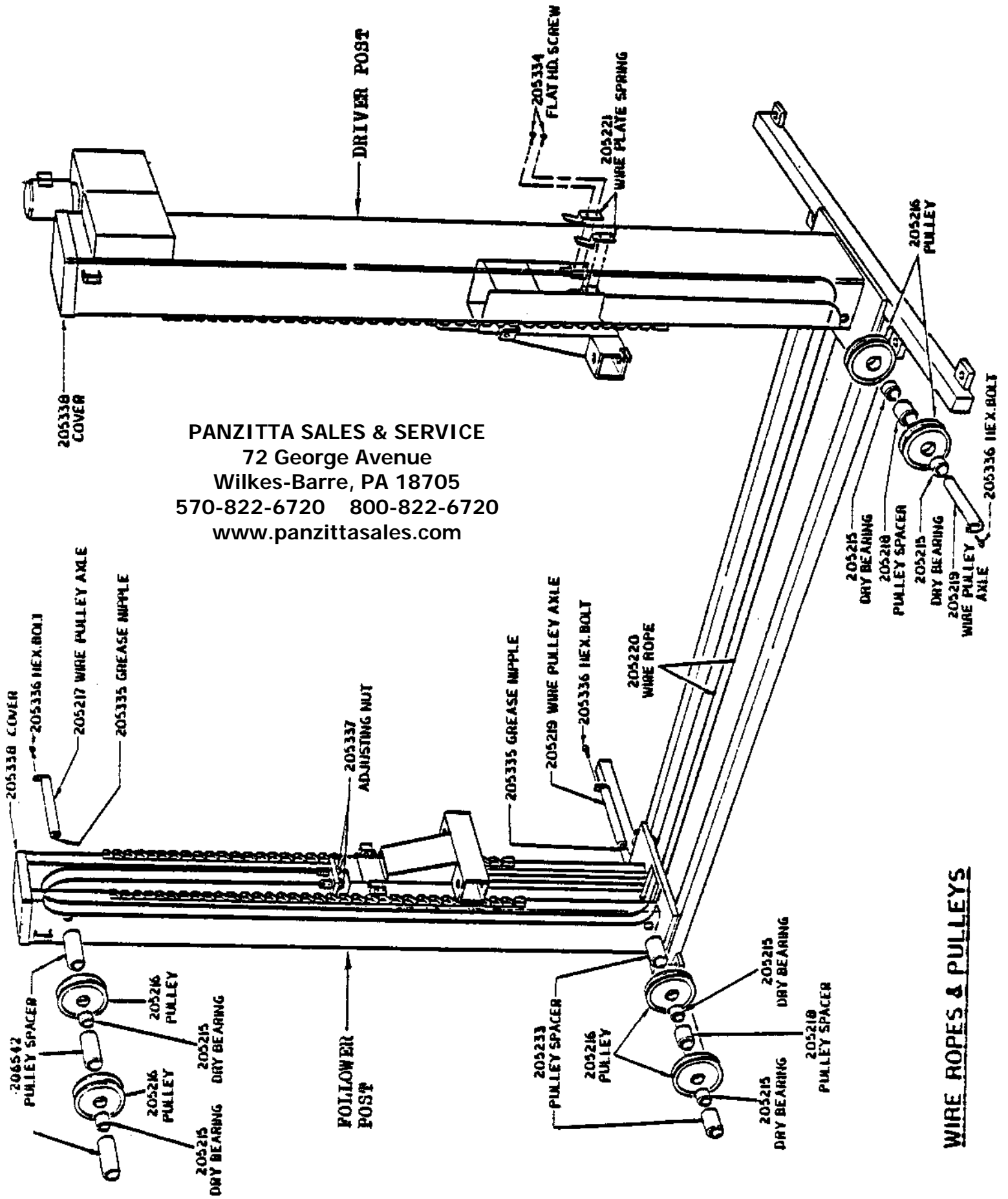
HOW TO VIEW ARMS FOR ORDERING

DECIDE IF YOU NEED A RIGHT HAND OR LEFT HAND ARM. DETERMINE IF IT IS SHORT OR LONG (SEE TOP ILLUSTRATION). NOTE A PAIR OF LONG ARMS OR SHORT ARMS COULD BE INSTALLED TO EITHER POST.



**BASE & HARDWARE**

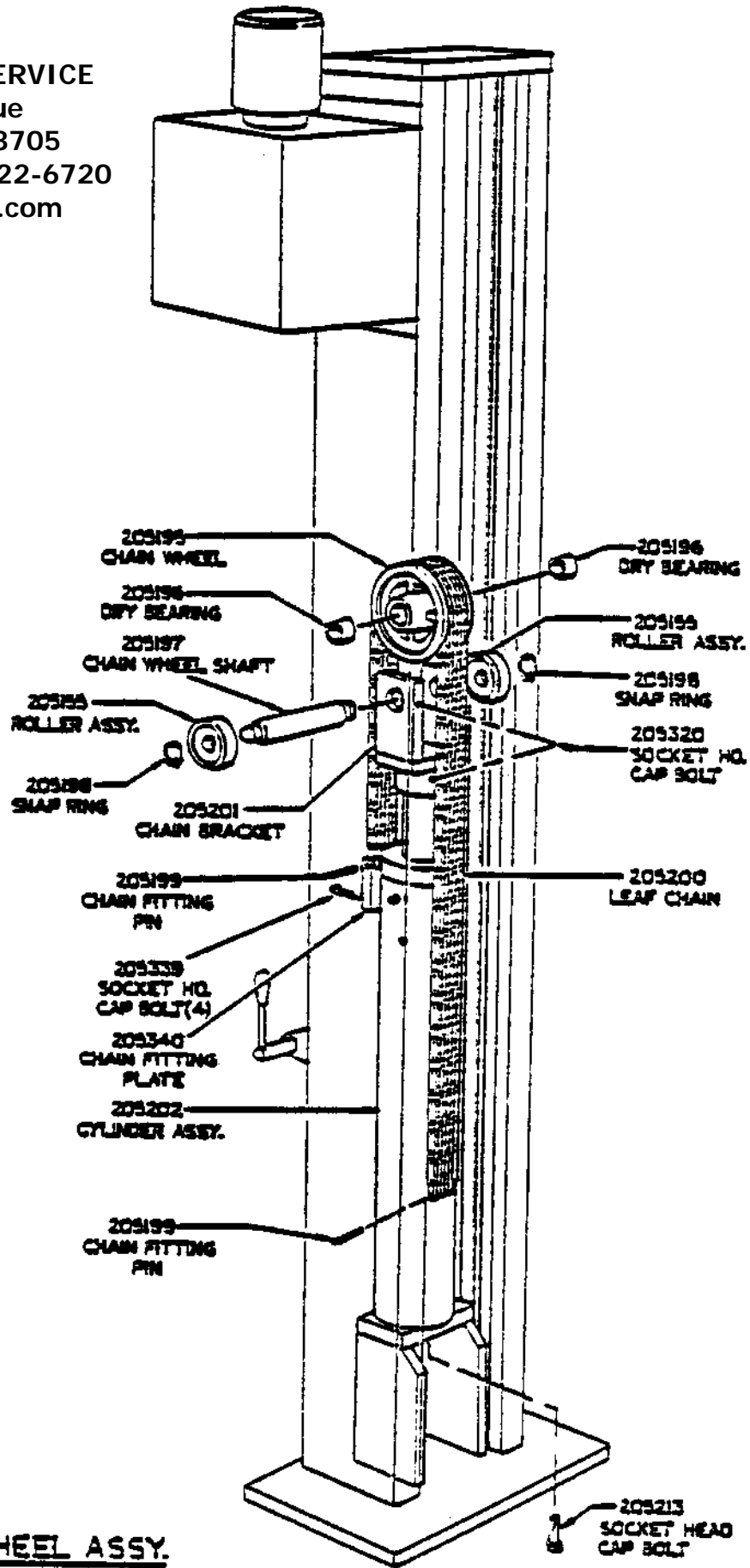
PANZITTA SALES & SERVICE  
 72 George Avenue  
 Wilkes-Barre, PA 18705  
 570-822-6720 800-822-6720  
 www.panzittasales.com



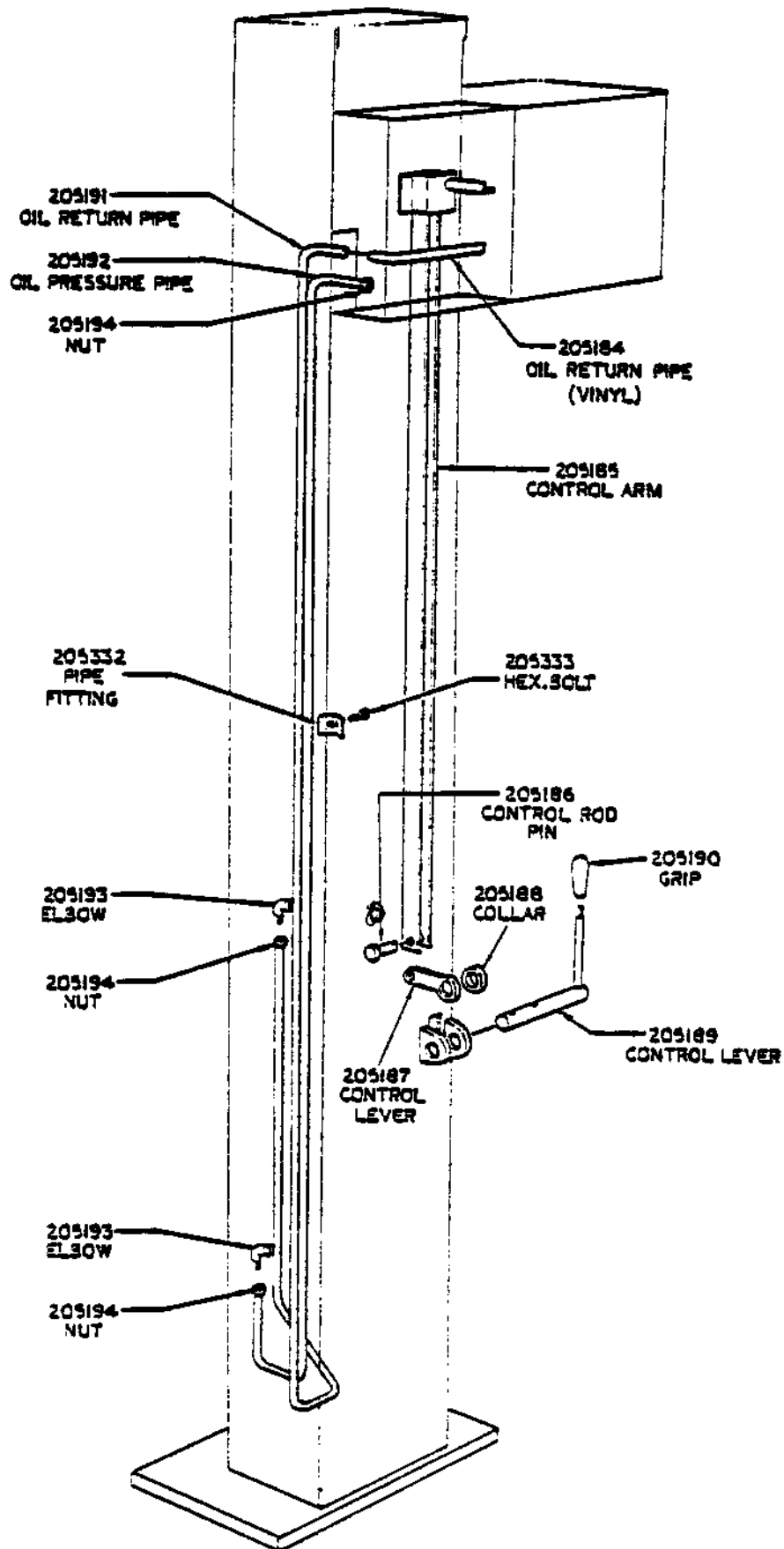
**PANZITTA SALES & SERVICE**  
 72 George Avenue  
 Wilkes-Barre, PA 18705  
 570-822-6720 800-822-6720  
[www.panzittasales.com](http://www.panzittasales.com)

**WIRE ROPES & PULLEYS**

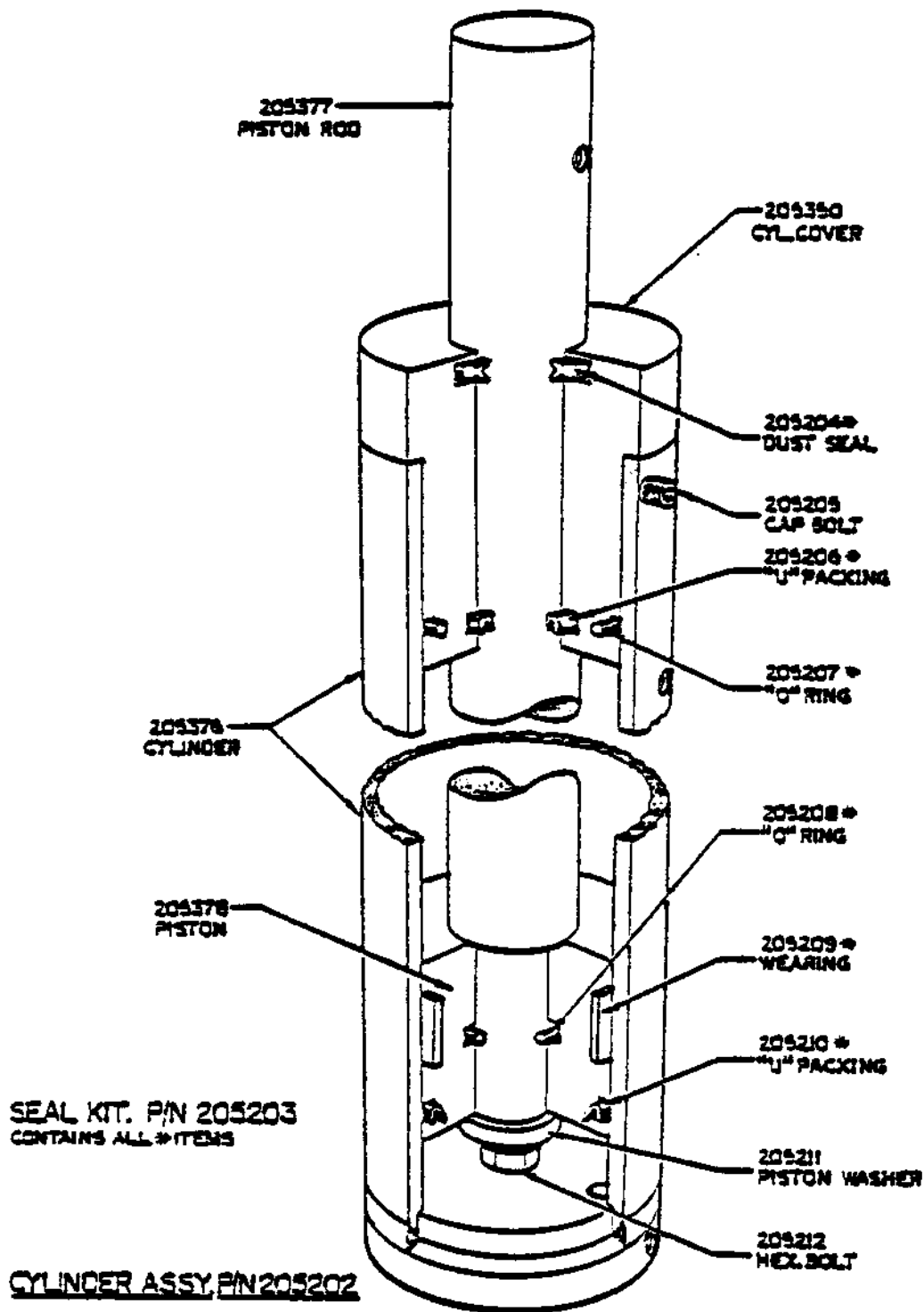
**PANZITTA SALES & SERVICE**  
 72 George Avenue  
 Wilkes-Barre, PA 18705  
 570-822-6720 800-822-6720  
 www.panzittasales.com



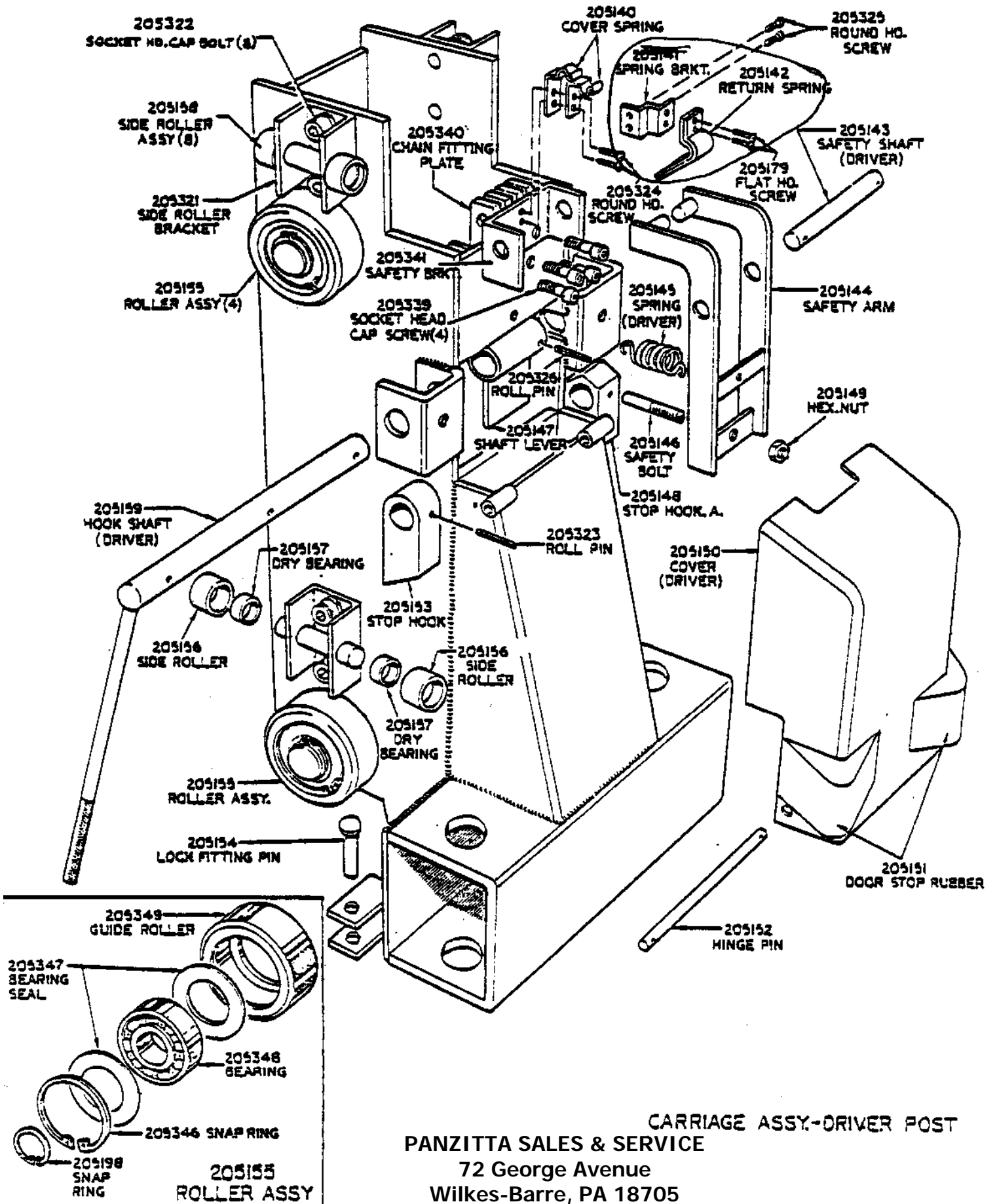
**LEAF CHAIN & WHEEL ASSY.**



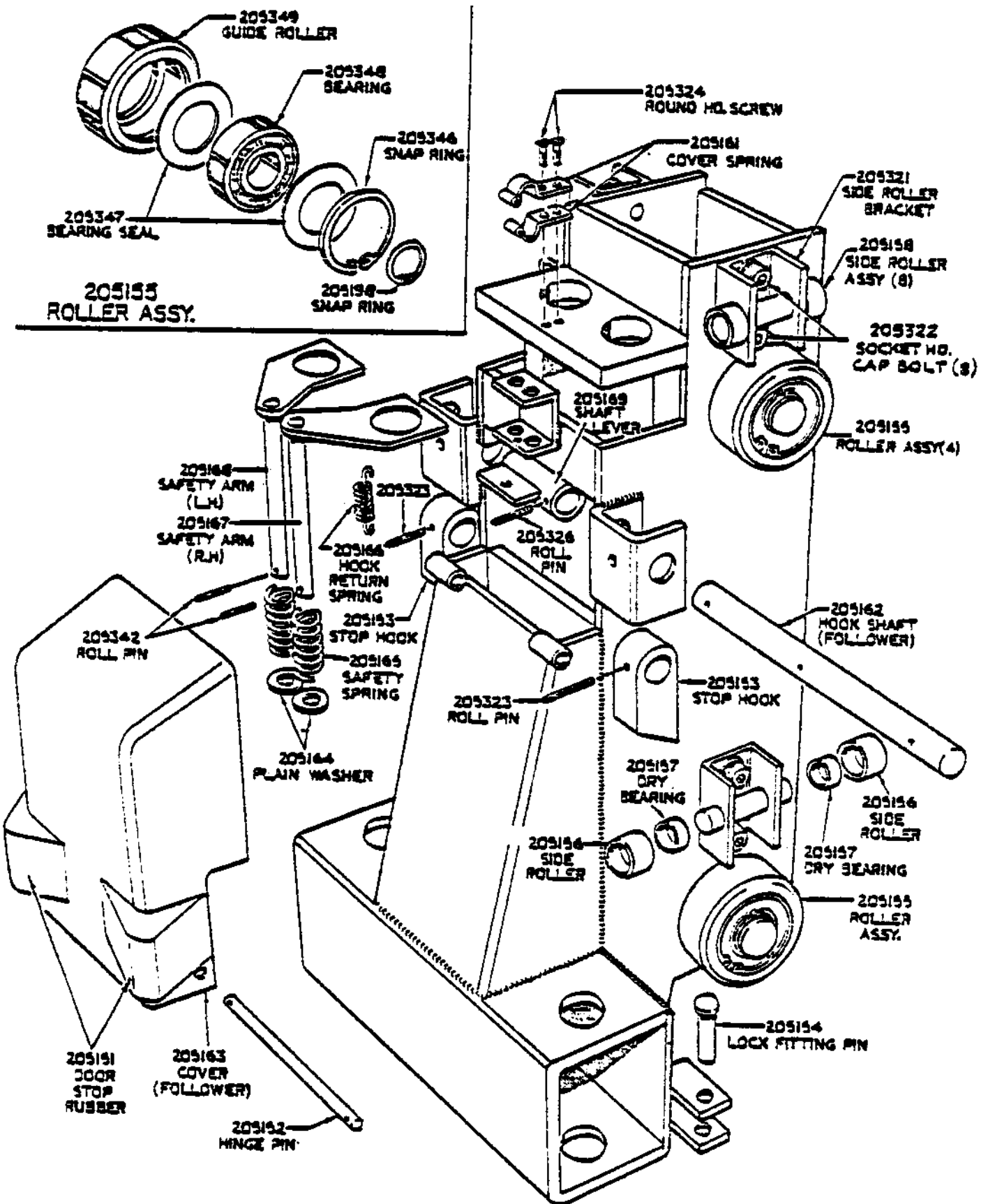
HYDRAULIC LINES & UNIT CONTROLS



PANZITTA SALES & SERVICE  
 72 George Avenue  
 Wilkes-Barre, PA 18705  
 570-822-6720 800-822-6720  
 www.panzittasales.com

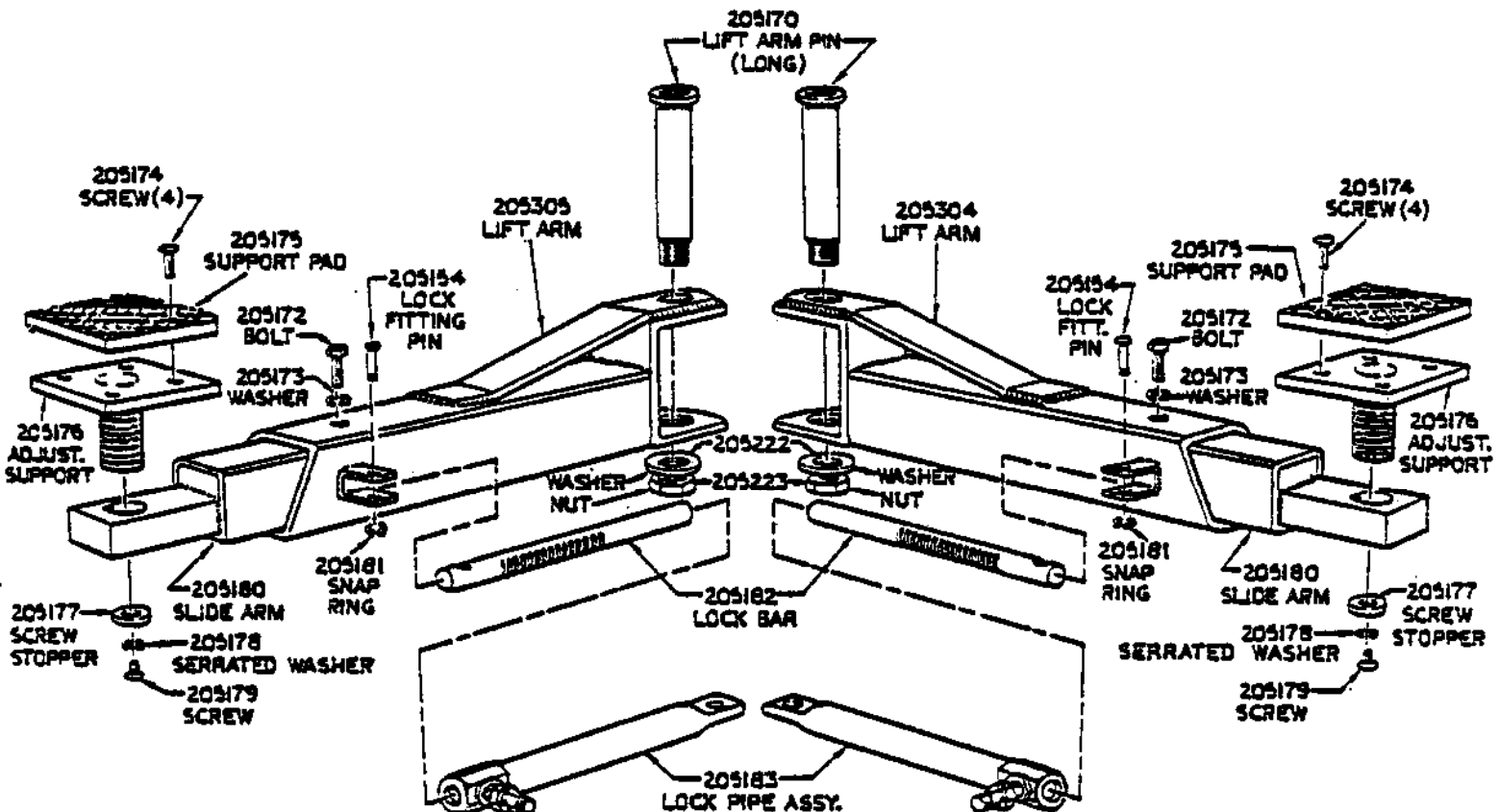


CARRIAGE ASSY.-DRIVER POST  
 PANZITTA SALES & SERVICE  
 72 George Avenue  
 Wilkes-Barre, PA 18705  
 570-822-6720 800-822-6720  
 www.panzittasales.com



PANZITTA SALES & SERVICE  
 72 George Avenue  
 Wilkes-Barre, PA 18705  
 570-822-6720 800-822-6720  
 www.panzittasales.com

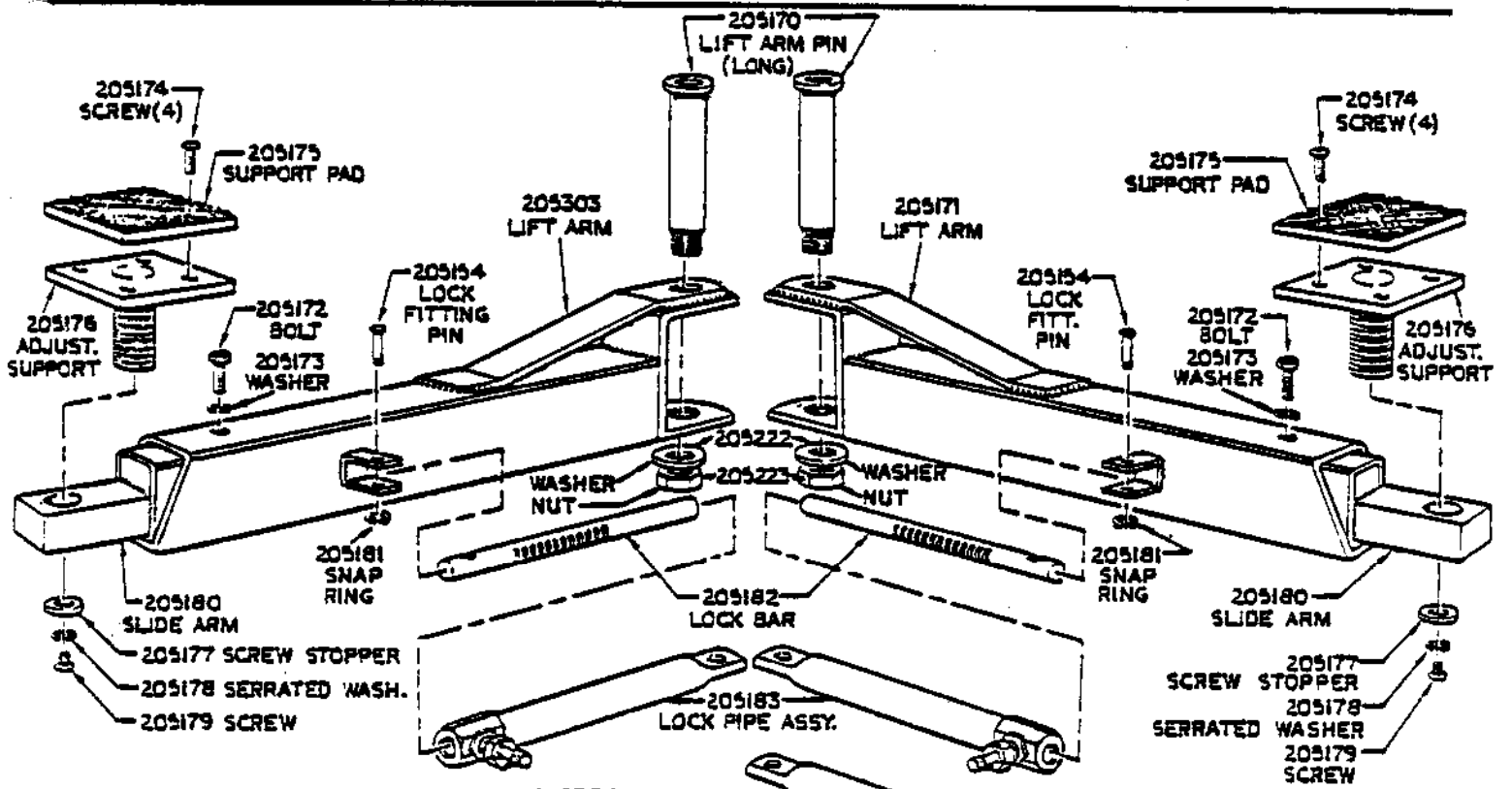
CARRIAGE ASSY.-FOLLOWER POST



SWING ARM, R.H.  
 FOLLOWER POST  
 P/N 205130

**SHORT ARMS**

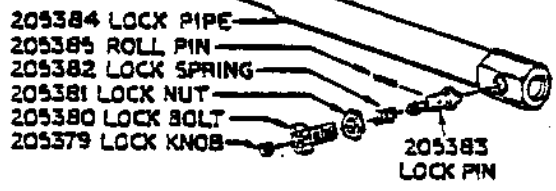
SWING ARM, L.H.  
 FOLLOWER POST  
 P/N 204056

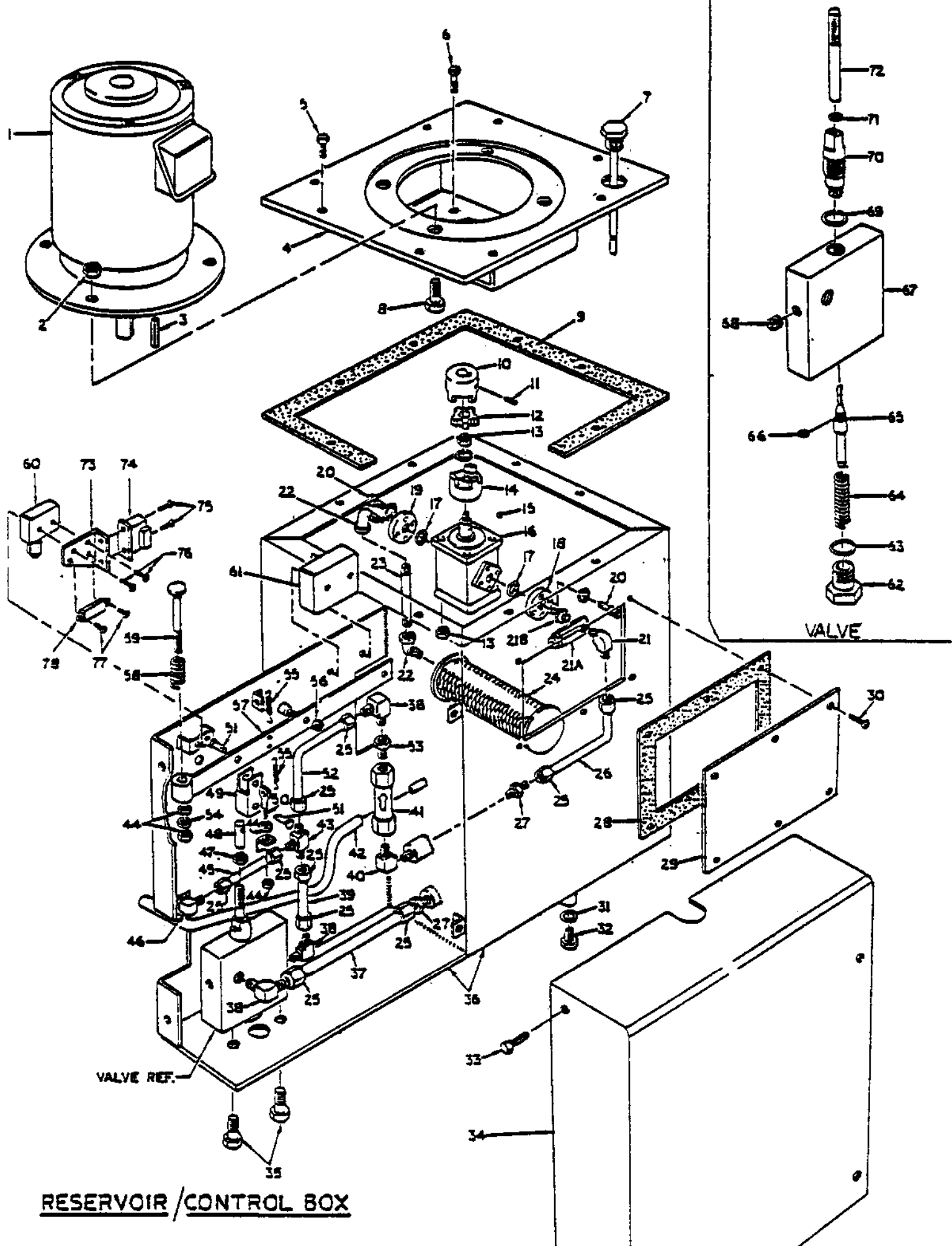


SWING ARM, R.H.  
 DRIVER POST  
 P/N 205131

**LONG ARMS**

SWING ARM, L.H.  
 DRIVER POST  
 P/N 204055





RESERVOIR / CONTROL BOX

RESERVOIR/CONTROL BOX

No.	DESCRIPTION	PART No.	QTY
1	Upright motor-1 Phase	205306	1
	Upright motor-3 Phase	205307	1
2	Hex.nut	206534	4
3	Key-1 Phase	206531	1
	Key-3 Phase	205309	1
4	Motor/Pump brkt.-1 Phase	206529	1
	Motor/Pump brkt.-3 Phase	205312	1
5	Hex.bolt	205311	8
6	Hex.bolt	205313	4
7	Level bar	205308	1
8	Hex.bolt	205314	4
9	Packing	205315	1
10	Coupling B	205234	1
11	Socket head cap screw	205235	1
12	Cushion rubber	205236	1
13	Hex.nut	205237	5
14	Coupling A	205238	1
15	Key	205244	1
16	Gear pump	205243	1
17	"O" Ring	205242	2
18	Pump joint	205245	1
19	Suction joint	205239	1
20	Socket head cap bolt	205240	2
21	Male elbow	205193	1
21A	Relief valve	206540	1
21B	Hipple	206541	1
22	Male/Female elbow	205241	2
23	Suction pipe	205250	1
24	Suction filter	205249	1
25	Fit	205194	10
26	Pump joint pipe	205247	1
27	Connector	205248	2
28	Gasket	205316	1
29	Cover	205317	1
30	Round head small screw	205318	6
31	"O" Ring	205273	1
32	Hex.bolt	205274	1
33	Hex.bolt	205345	4
34	Cover	205276	1
35	Hex.bolt	205344	2
36	Oil tank assembly	205275	1
37	Oil return pipe	205271	1

No.	DESCRIPTION	PART No.	QTY
38	Right elbow	205193	3
39	Oil return pipe	205270	1
40	Male/Female elbow	205269	1
41	Check valve	205268	1
42	Overflow hose (Ref.)	205184	1
43	Union Tee	205266	1
44	Hex.nut	205256	4
45	Joint pipe	205263	1
46	Right union elbow	205264	1
47	Hex.nut	205263	1
48	Valve adjuster	205262	1
49	Valve adjuster joint	205261	1
50	Neutral adjuster bolt	205260	1
51	Pin	205257	2
52	Check pipe	205259	1
53	Bushing	205267	1
54	Flain washer	-----	1
55	Neutralizer spring	205258	2
56	Hex.nut	205343	1
57	Switch lever	205253	1
58	Switch plunger spring	205254	1
59	Switch pin	205253	1
60	Micro switch	205252	1
61	Magnet switch-1 Phase	205387	1
	Magnet switch-3 Phase	205251	1
62	Valve socket	205277	1
63	"O" Ring	205278	1
64	Valve spring	205279	1
65	Valve plunger	205280	1
66	"O" Ring	205291	1
67	Valve body	205272	1
68	Socket head cap plug	205282	1
69	"O" Ring	205293	1
70	Valve housing	205284	1
71	"O" Ring	205285	1
72	Valve rod	205286	1
73	Trance bracket	206335	1
74	Trance	206336	1
75	Flat head small screw	205334	2
76	Flat head small screw	206577	2
77	Flat head small screw	206539	2
78	Terminal	206537	1

PANZITTA SALES & SERVICE

72 George Avenue

Wilkes-Barre, PA 18705

570-822-6720 800-822-6720

www.panzittasales.com