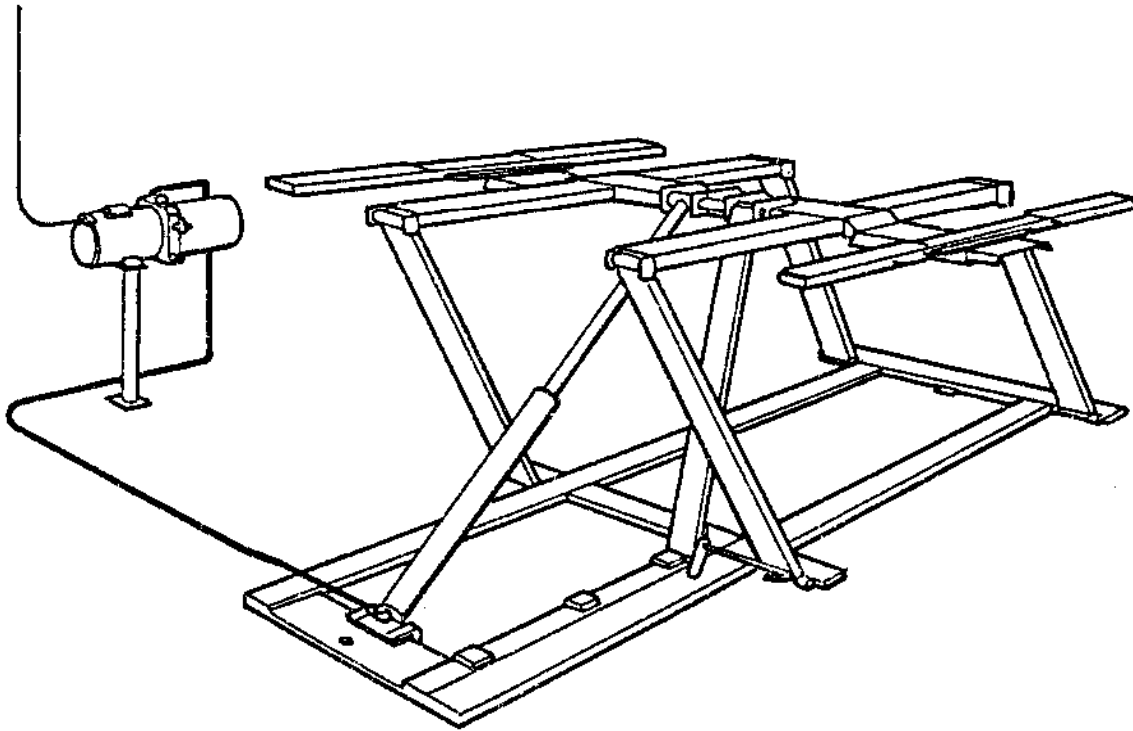
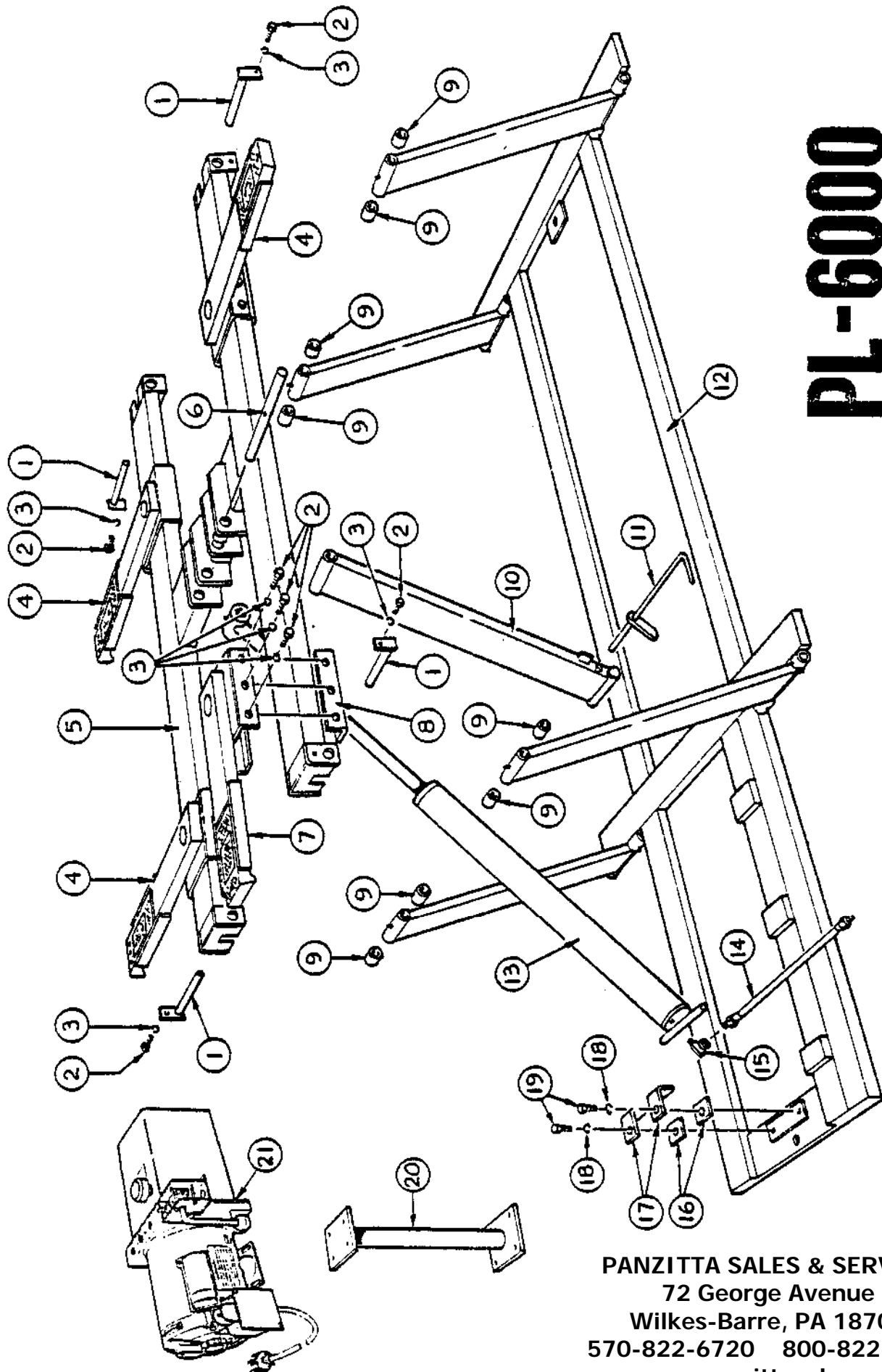


PANZITTA SALES & SERVICE  
72 George Avenue  
Wilkes-Barre, PA 18705  
570-822-6720 800-822-6720  
[www.panzittasales.com](http://www.panzittasales.com)

# PL-6000

# PLP-6000





# PL-6000

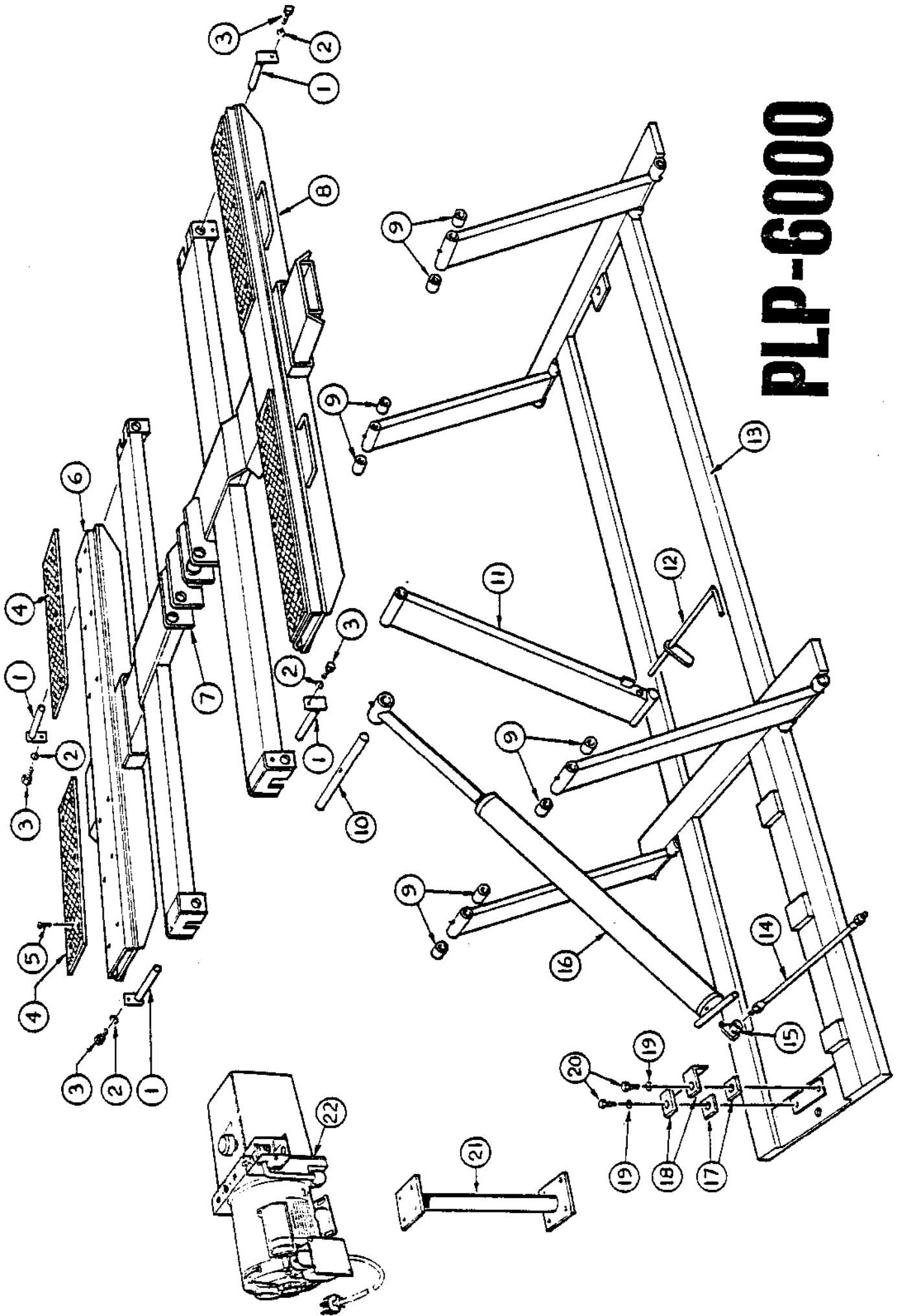
PANZITTA SALES & SERVICE  
 72 George Avenue  
 Wilkes-Barre, PA 18705  
 570-822-6720 800-822-6720  
[www.panzittasales.com](http://www.panzittasales.com)

PARTS LIST-- PL-6000

PANZITTA SALES & SERVICE  
 72 George Avenue  
 Wilkes-Barre, PA 18705  
 570-822-6720 800-822-6720  
 www.panzittasales.com

No.	DESCRIPTION	PART No.	QTY
1	Frame shaft	213284	4
2	Hex.bolt	213286	16
3	Spring washer	213285	16
4	Swing arm assy.	213287	4
5	Frame assy.	213288	1
6	Pin	213289	1
7	Swing arm	213290	4
8	Slider edge	213291	4
9	Dry metal (bearing)	213292	8
10	Lock arm	213293	1
11	Lock release lever	213294	1
12	Base assy.	213295	1
13	Cylinder assy.	213296	1
	Seal kit	213297	1
14	Hose assy.	800234-1	1
15	Swivel elbow	800122	1
16	Clamp washer	213298	2
17	Clamp	213299	2
18	Spring washer	213411	2
19	Hex.bolt	213412	2
20	Pump mount stand (OPTION)	22030	1
21	Pump E/H	213120	1

# PLP-6000



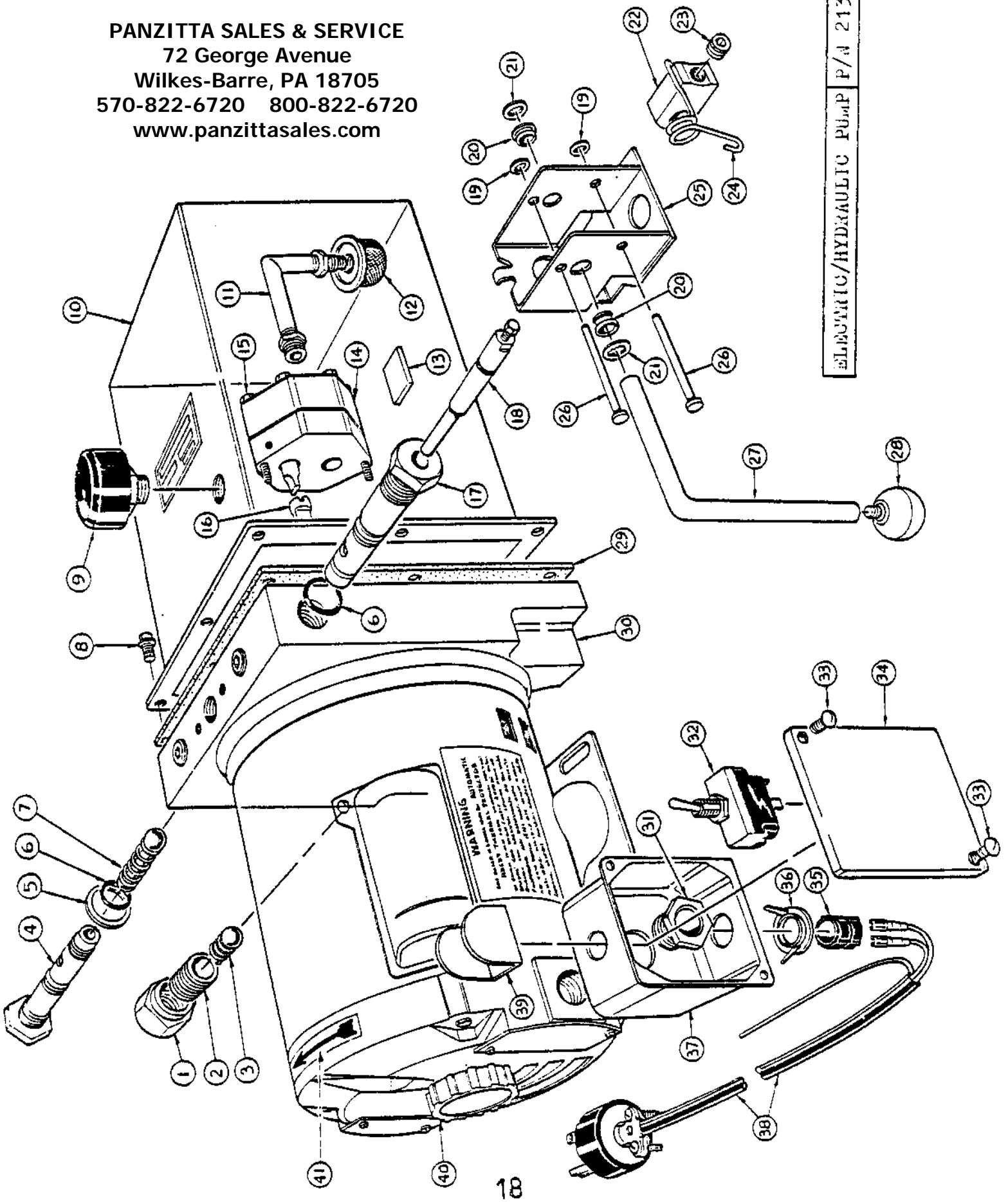
PARTS LIST- PLP-6000

PANZITTA SALES & SERVICE  
72 George Avenue  
Wilkes-Barre, PA 18705  
570-822-6720 800-822-6720  
www.panzittasales.com

No.	DESCRIPTION	PART No.	QTY
1	Frame shaft	213284	4
2	Spring washer	213285	4
3	Hex.bolt	213286	4
4	Rubber pad	213413	4
5	Round head small screw	213414	24
6	Slide arm	213415	2
7	Frame assy.	213416	1
8	Slide assy.	213417	2
9	Dry metal (bearing)	213292	8
10	Pin	213289	1
11	Lock arm	213293	1
12	Lock release lever	213294	1
13	Base assy.	213295	1
14	Hose assy.	800234-1	1
15	Swivel elbow	800122	1
16	Cylinder assy.	213296	1
	Seal kit	213297	1
17	Clamp washer	213298	2
18	Clamp	213299	2
19	Spring washer	213411	2
20	Hex.bolt	213412	2
21	Pump mount stand (OPTION)	22030	1
22	Pump E/H	213120	1

PANZITTA SALES & SERVICE  
72 George Avenue  
Wilkes-Barre, PA 18705  
570-822-6720 800-822-6720  
www.panzittasales.com

ELECTRIC/HYDRAULIC PUMP P/a 213120



PANZITA LIST- PUMP P/A 213120

No.	DESCRIPTION	PART No.	QTY.
1	Relief cap	213021	1
2	Adjusting screw (Relief)	53367	1
3	Spring & Ball assy.(Relief)	53365	1
4	Check cap assy.	53354	1
5	Seal ring (Check)	53362	1
6	"O" Ring	53374	2
7	Spring & Ball assy.(Check)	213468	1
8	Screw.10-32 x .44	53449	8
9	Breather	53440	1
10	Reservoir	213469	1
11	Nylon Ell.	205834	1
12	Filter	53375	1
13	Magnet	53468	1
14	Pump assy.	213471	1
15	Hex.screw.5/16"-24 x 2.5	213470	2
16	Coupling	53363	1
17	Release cap assy.	53353	1
18	Release stem assy.	206034	1
19	Grip ring	206006	2
20	Nylon bearing	53371	2
21	Grip ring	53377	2

No.	DESCRIPTION	PART No.	QTY.
22	Release valve cam assy.	213472	1
23	Set screw	53430	1
24	Torsion spring	53378	1
25	Actuator mtg.brkt.assy.	213473	1
26	Headed pin	206007	2
27	Lever-cam shaft assy.	213474	1
28	Ball-lever cam shaft	213475	1
29	Gasket	53453	1
30	End head	213476	1
31	Chase nut	213477	1
32	Switch	213478	1
33	Screw.10#2 x .31 RHMS	213479	2
34	Box cover	213480	1
35	Bushing	213481	1
36	Adaptor	213482	1
37	Wiring box	213483	1
38	Cord set assy.	213484	1
39	Switch protector	213485	1
40	Motor	213486	1
41	Directional arrow	213487	1

PANZITTA SALES & SERVICE

72 George Avenue

Wilkes-Barre, PA 18705

570-822-6720 800-822-6720

www.panzittasales.com