

PANZITTA SALES & SERVICE
72 George Avenue
Wilkes-Barre, PA 18705
570-822-6720 800-822-6720
www.panzittasales.com

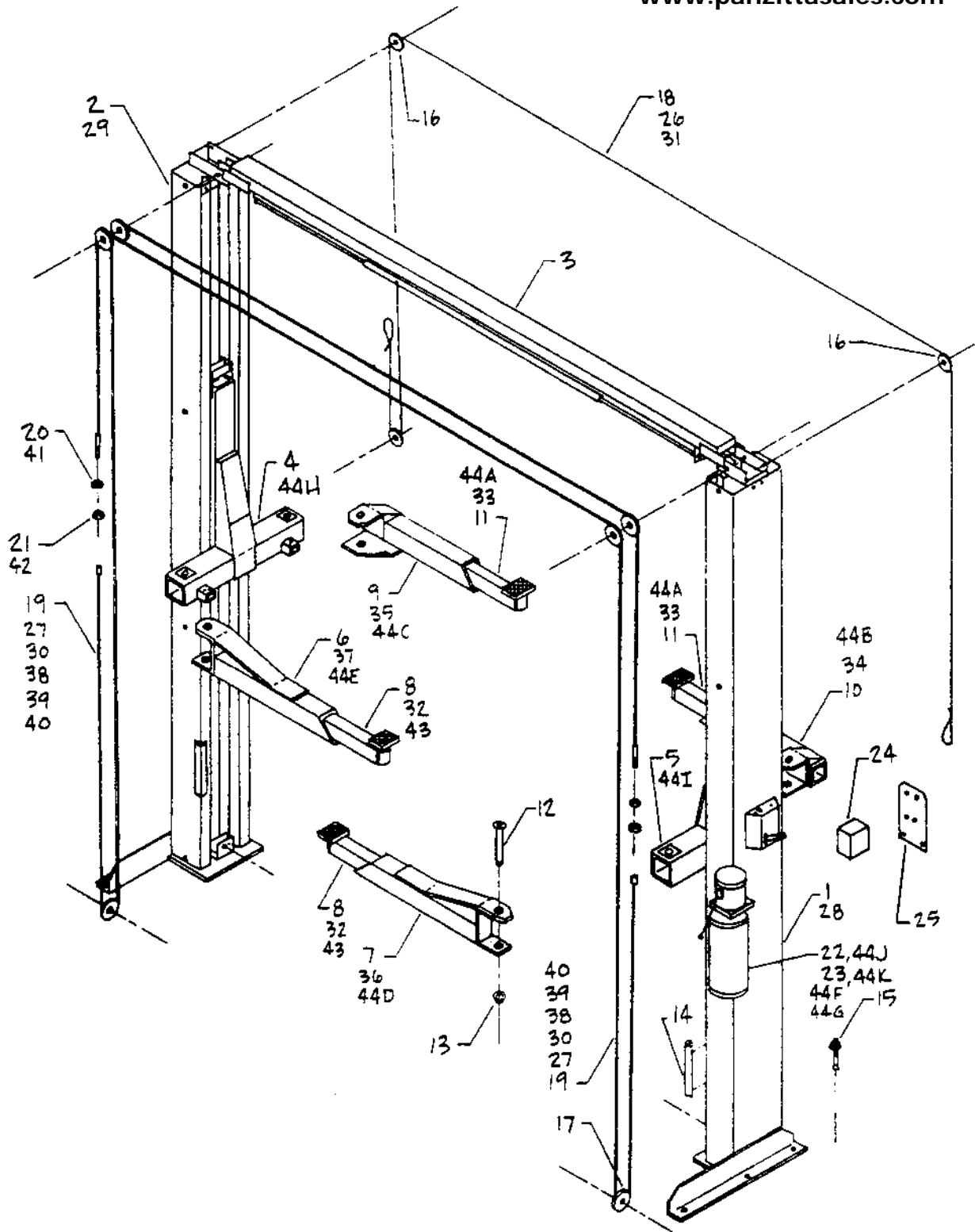
**BENWIL MODELS GPOA-8,-8L,-8H,
GPOA-9,-9L,-9H, GPOA-10,-10L, AND -10H OPERATION,
PARTS BREAKDOWN**

GPOA-8,-8L,-8H,-9,-9L,-9H,-10,-10L,-10H.max

SECTION 3 - PARTS BREAKDOWN

ITEM	PART NO.	DESCRIPTION	-8 QTY	-9H QTY	-9L QTY	-8 QTY	-9H QTY	-9L QTY	-10 QTY	-10H QTY	-10L QTY
1	300924	R. H. Column	1	1		1	1		1	1	
2	300776	L. H. Column	1	1		1	1		1	1	
3	300749	Overhead Beam	1	1	1	1	1	1	1	1	1
4	300810-1	Carriage L. H.							1	1	1
5	300810-2	Carriage R. H.							1	1	1
6	300418-3	Rear Arm L. H.	1	1	1						
7	300418-4	Rear Arm R. H.	1	1	1						
8	300426	Rear Arm Extension	2	2	2						
9	301101-2	Front Arm L. H.	1	1	1						
10	301101-1	Front Arm R.H.	1	1	1						
11	300428	Front Arm Extension	2	2	2						
12	300238	Pin-Arm	4	4	4	4	4	4	4	4	4
13	300218-4	Snap Ring	4	4	4	4	4	4	4	4	4
14	300568	Bumper Door	2	2	2	2	2	2	2	2	2
15	500388	Anchor Bolt Assy.	8	8	8	8	8	8	8	8	8
16	300874	Pulley Lock Release	3	3	3	3	3	3	3	3	3
17	300731	Pulley	6	6	6	6	6	6	6	6	6
18	300849-5	Cable Assy - Latch Release System	1			1			1		
19	300806-1	Cable Assy. Sync.	2						2		
20	5/8 - 18 UNF	Hex Head Nut	2	2	2				2	2	2
21	5/8 - 18 UNF	Hex Head Jam Nut	2	2	2				2	2	2
22	101098	Elec. Hydraulic Pump (1 phase)	1	1	1						
23	101099	Elec. Hyd. Pump (3 phase) *Option	1	1	1						
24	100998	Contactor-Ele. (3 Phase)*Option	1	1	1	1	1	1	1	1	1
25	100942	Brkt-Motor Starter (3 Phase)*Opouon	1	1	1	1	1	1	1	1	1
26	300849-7	Cable Assy - Latch Rel. System		1			1			1	
27	300806-3	Cable Assy - Synchronized		2						2	
28	300924-1	R. H. Column			1			1			1
29	300776-1	L. H. Column			1			1			1
30	300806-5	Cable Assy. - Synchronized			2						2
31	300849-11	Cable Assy. - Latch Rel. System			1			1			1
32	301006	Rear Arm Extension				2	2	2			
33	301010	Front Arm Extension				2	2	2			
34	301009-2	Front Arm - R. H.				1	1	1			
35	301009-1	Front Arm - L. H.				1	1	1			
36	301005-2	Rear Arm - R. H.				1	1	1			
37	301005-1	Rear Arm - L. H.				1	1	1			
38	300805-4	Cable Assy. - Synchronized				2					
39	300805-6	Cable Assy. - Synchronized					2				
40	300805-5	Cable Assy. - Synchronized						2			
41	1/2-20 UNF	Hex Head Nut				2	2	2			
42	1/2-20 UNF	Hex Head Jam Nut				2	2	2			
43	301008	Rear Arm Extension							2	2	2
44A	301012	Front Arm Extension							2	2	2
44B	301011-2	Front Arm - R. H.							1	1	1
44C	301011-1	Front Arm - L. H.							1	1	1
44D	301007-2	Rear Arm - R. H.							1	1	1
44E	301007-1	Rear Arm - L. H.							1	1	1
44F	101067	Elec. Hyd. Pump (1 phase)				1	1	1			
44G	101068	Elec. Hyd. Pump (3 phase) *Option				1	1	1			
44H	301097-1	L.H. Carriage	1	1	1	1	1	1			
44I	301097-2	R.H. Carriage	1	1	1	1	1	1			
44J	101105	Elec. Hyd. Pump (1 phase)							1	1	1
44K	101106	Elec. Hyd. Pump (3 phase)							1	1	1

PANZITTA SALES & SERVICE
72 George Avenue
Wilkes-Barre, PA 18705
570-822-6720 800-822-6720
www.panzittasales.com

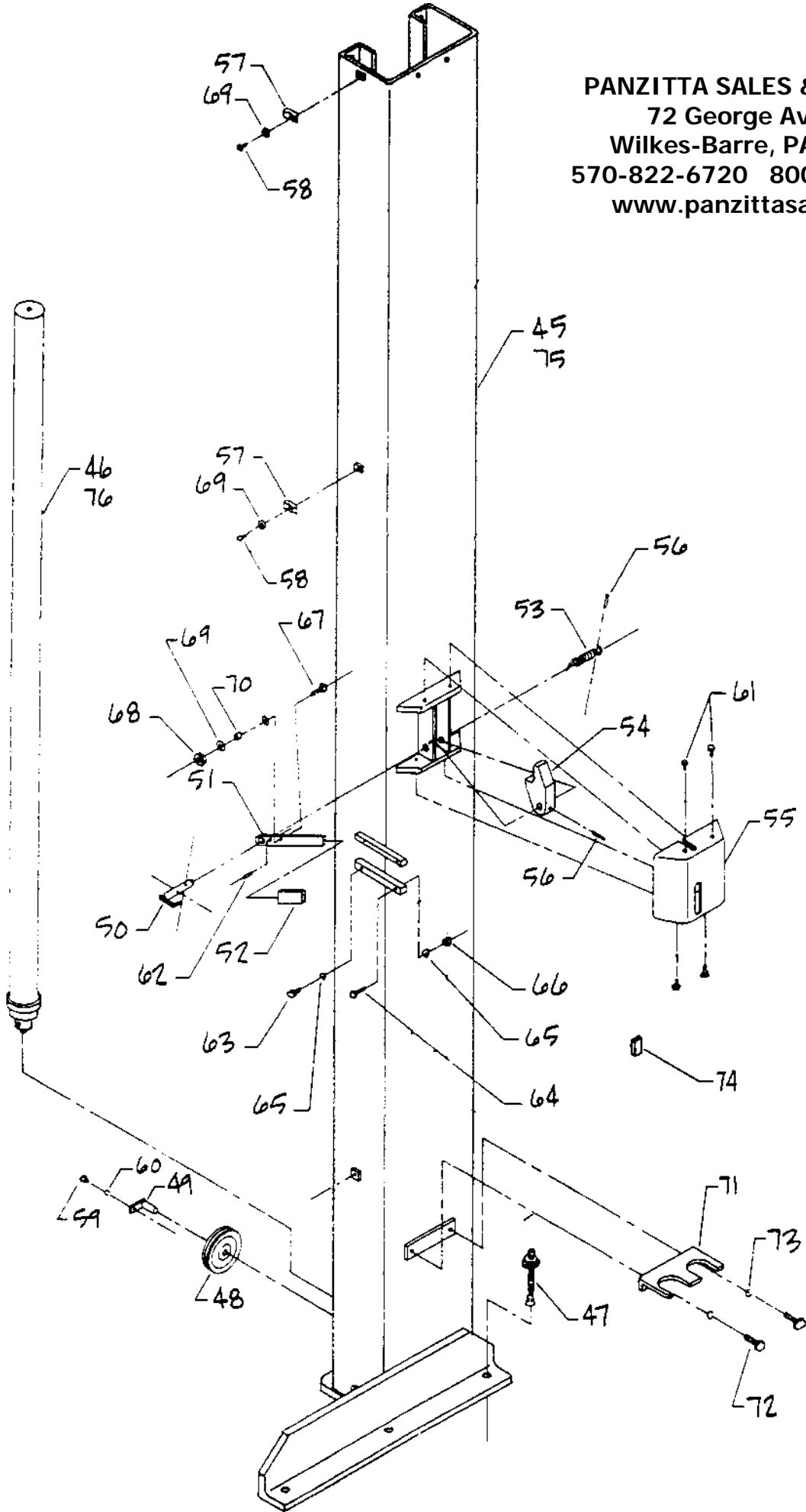


GPOA-8,-8L,-8H,-9,-9L,-9H,-10,-10L,-10H.max

PARTS BREAKDOWN

ITEM	PART NO.	DESCRIPTION	-8,-8H,-9,-9H,-10,-10H QTY	-8L,-9L,-10L QTY
45	300924	R. H. Column	Ref	
46	301061	Hyd. Cylinder	1	
47	500388	Anchor Bolt Assy.	Ref	Ref
48	300731	Pulley	Ref	Ref
49	300835	Axle Lower Pulley	1	1
50	300840	Release Assy. Latch	1	1
51	300843	Handle Latch Actuator	1	1
52	300944	Cover Handle	1	1
53	300269	Spring Safety Lock	1	1
54	300807	Latch	1	1
55	300912	Cover R. H. Column	1	1
56	5/32 x 1 1/2"	Roll Pin	2	2
57	300947	Clamp-Cable	3	3
58	10 -24 x 5/16"	Phillips Panhead Machine Screw	3	3
59	1/4 - 20 x 3/8"	Hex Head Bolt	1	1
60	1/4	Split Lock Washer	1	1
61	12-24 x 1/2"	Phillips Panhead Machine Screw	4	4
62	3/16 x 1/2	Roll Pin	1	1
63	5/16 - 18 x 5/8"	Hex Head Bolt	2	2
64	5/16 - 18 x 1"	Hex Head Bolt	2	2
65	5/16	Split Lock Washer	4	4
66	5/16 - 18	Hex Head Nut	2	2
67	10 - 24 x 1"	Hex Head Bolt	1	1
68	10 - 24	Hex Head Lock Nut	1	1
69	3/16	Flat Washer (USS or SAE)	5	5
70	300844	Spacer Cable Connecting	1	1
71	300878-3	Bracket-Truck Adapter *Optional	1	1
72	1/4-20 x 3/8	Hex Head Bolt*Optional	2	2
73	1/4	Split Lock Washer *Optional	2	2
74	301013	Strip-Polyurethane	1	1
75	300924-1	R. H. Column		Ref
76	301062	Hyd. Cylinder		1

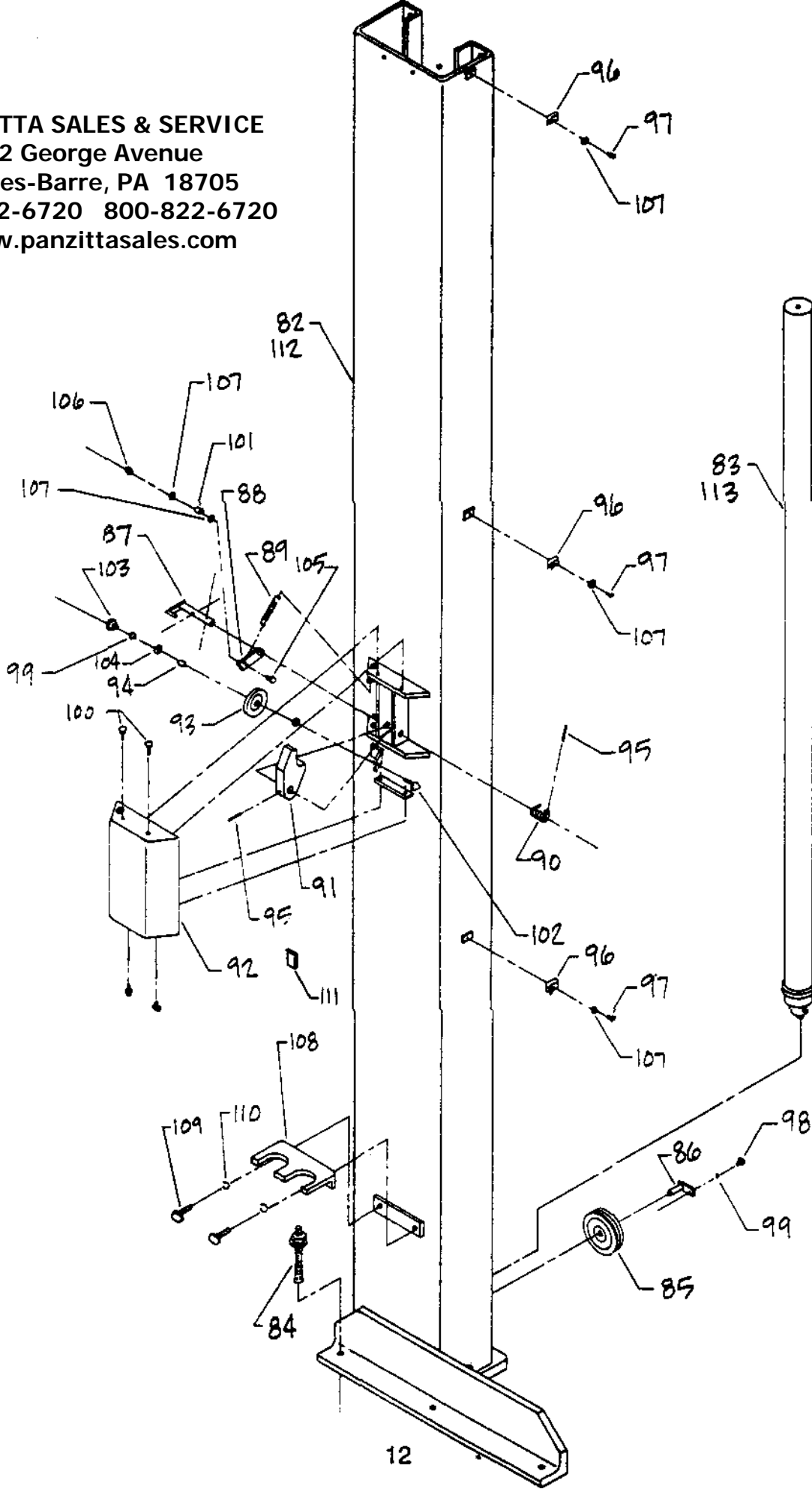
PANZITTA SALES & SERVICE
72 George Avenue
Wilkes-Barre, PA 18705
570-822-6720 800-822-6720
www.panzittasales.com



PARTS BREAKDOWN

NO.	PART NO.	DESCRIPTION	-8,-8H,-9,-9H,-10,-10H QTY	-8L,-9L,-10L QTY
82	300776	L. H. Column	Ref	
83	301061	Hyd. Cylinder	1	
84	500388	Anchor Bolt Assy.	Ref	Ref
85	300731	Pulley	Ref	Ref
86	300835	Axle Lower Pulley	1	1
87	300840	Release Assy. Latch	1	1
88	300842	Lever Latch Actuator	1	1
89	300873	Spring Lock Release	1	1
90	300269	Spring Safety Lock	1	1
91	300807	Latch	1	1
92	300913	Cover L. H. Column	1	1
93	300874	Pulley Lock Release	Ref	Ref
94	300875	Steel Insert Pulley	1	1
95	5/32 x 1/1/2	Roll Pin	2	2
96	300947	Clamp Cable	3	3
97	10 - 24 x 5/16"	Phillips Panhead Machine Screw	3	3
98	1/4 - 20 x 3/8"	Hex Head Bolt	1	1
99	1/4	Split Lock Washer	2	2
100	12 - 24 x 1/2"	Phillips Panhead Machine Screw	4	4
101	300844	Spacer - Cable Connect	1	1
102	1/4-20 x 1 1/4"	Hex Head Bolt (GR.5)	1	1
103	1/4 - 20	Hex Head Nut	1	1
104	1/4	Flat Washer (USS)	2	2
105	10-24 x 1"	Hex Head Bolt	1	1
106	10 - 24	Hex Head Lock Nut	1	1
107	3/16	Flat Washer (USS or SAE)	5	5
108	300878-3	Bracket-Truck Adapter *Optional	1	1
109	1/4-20 x 3/8	Hex Head Bolt *Optional	2	2
110	1/4	Split Lock Washer *Optional	2	2
111	301013	Strip-Polyurethane	1	1
112	300776-1	L.H. Column		Ref
113	301062	Hyd. Cylinder		1

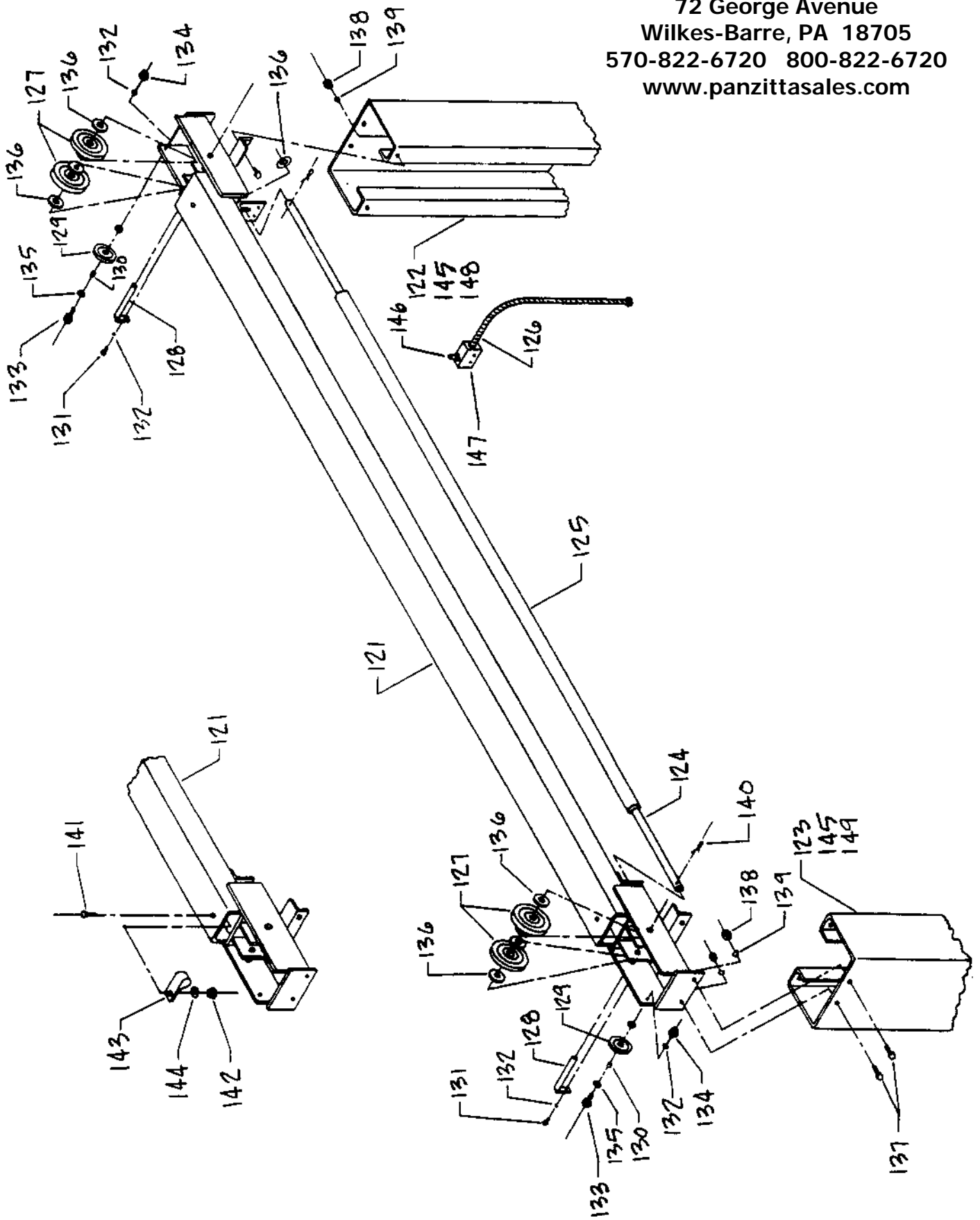
PANZITTA SALES & SERVICE
72 George Avenue
Wilkes-Barre, PA 18705
570-822-6720 800-822-6720
www.panzittasales.com



PARTS BREAKDOWN

NO.	PART NO.	DESCRIPTION	-8,-9,-10 QTY	-8H,-9H,-10H QTY	-8L,-9L,-10L QTY
121	300749	Overhead Beam	Ref	Ref	Ref
122	300924	Column R. H.	Ref		
123	300776	Column L. H.	Ref		
124	300470-4	Conduit	1	1	1
125	300281	Foam Tubing	1	1	1
126	101094	Switch Assy-Limit	1	1	1
127	300731	Pulley	Ref	Ref	Ref
128	300837	Axle Upper Pulley	2	2	2
129	300874	Pulley Lock Release	Ref	Ref	Ref
130	300875	Steel Insert Pulley	2	2	2
131	1/4 -20 x 3/8	Hex Head Bolt	2	2	2
132	1/4	Split Lock Washer	4	4	4
133	1/4 -20 x 1 1/4	Hex Head Bolt (GR.5)	2	2	2
134	1/4 - 20	Hex Head Nut	2	2	2
135	1/4	Flat Washer (USS)	4	4	4
136	3/4	Flat Washer (SAE) 9/64 Thk.	9	9	9
137	7/16 - 14 x 1 1/4	Hex Head Bolt	8	8	8
138	7/16 - 14	Hex Head Nut	8	8	8
139	7/16	Split Lock Washer	8	8	8
140	1/8 x 1"	Cotter Pin	2	2	2
141	10 - 24 x 1"	Hex Head Bolt	2	2	2
142	10-24	Hex Head Nut	2	2	2
143	300947	Cable Clamp	2	2	2
144	3/16	Flat Washer (USS or SAE)	2	2	2
145	300868	Extension Assy-Column		2	
146	300282	Micro-Switch	1	1	1
147	300283	Enclosure-Switch	1	1	1
148	300924-1	R.H. Column			Ref
149	300776-1	L.H. Column			Ref

PANZITTA SALES & SERVICE
72 George Avenue
Wilkes-Barre, PA 18705
570-822-6720 800-822-6720
www.panzittasales.com

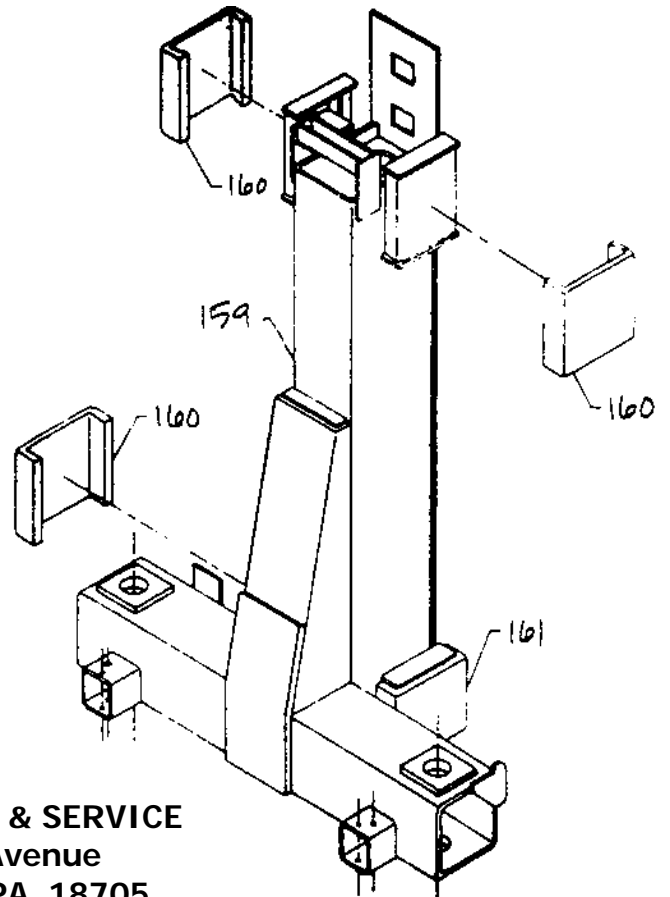
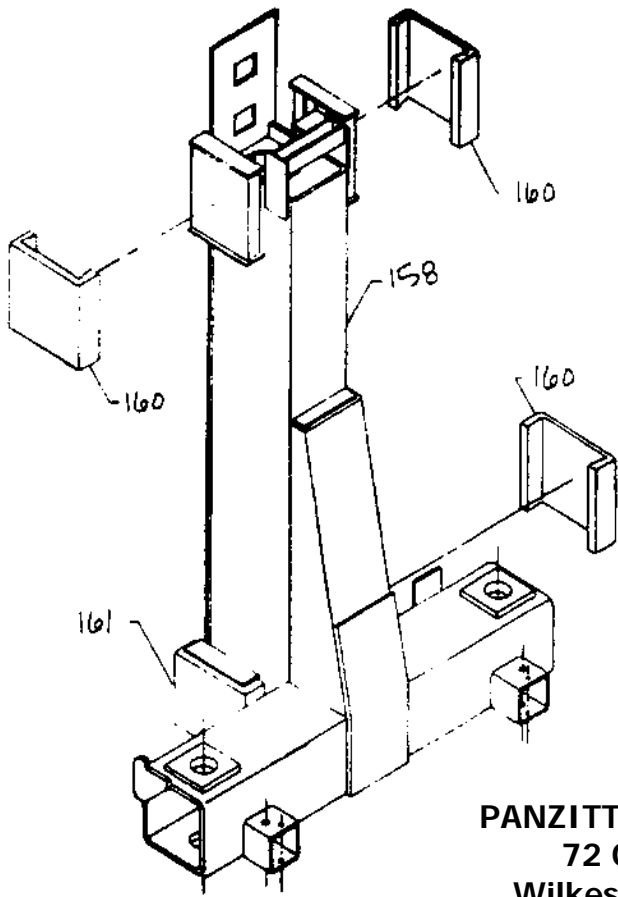


PANZITTA SALES & SERVICE
 72 George Avenue
 Wilkes-Barre, PA 18705
 570-822-6720 800-822-6720
 www.panzittasales.com

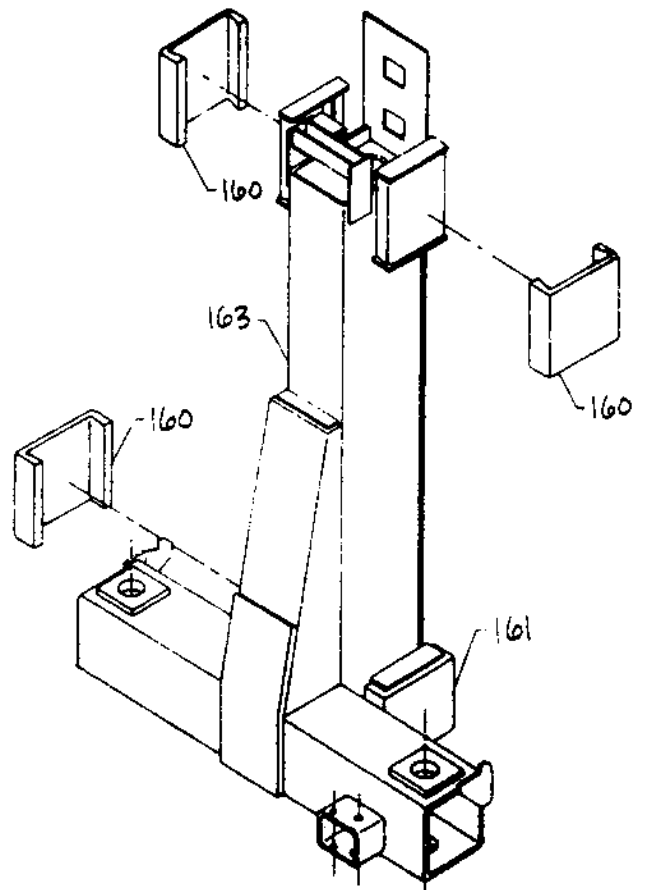
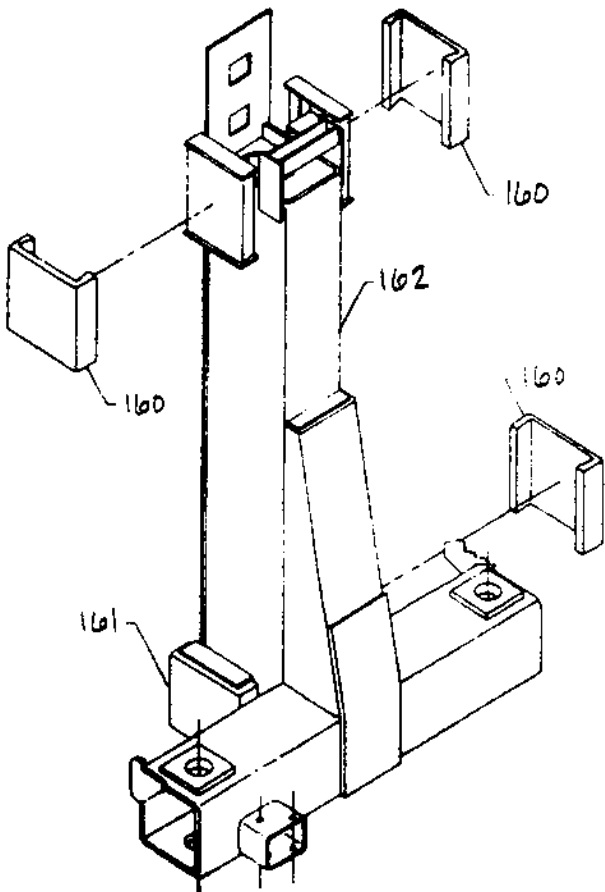
PARTS BREAKDOWN

ITEM	PART NO.	DESCRIPTION	-10,-10L,-10H QTY.	-8,-8L,-8H,-9,-9L,-9H QTY.
158	300810-1	Carriage L.H.	Ref.	
159	300810-2	Carriage R.H.	Ref.	
160	300866	Slide	6	6
161	300867	Slide	2	2
162	301097-1	Carriage L.H.		Ref.
163	301097-2	Carriage R.H.		Ref.

GPOA-8,-8L,-8H,-9,-9L,-9H,-10,-10L,-10H.max



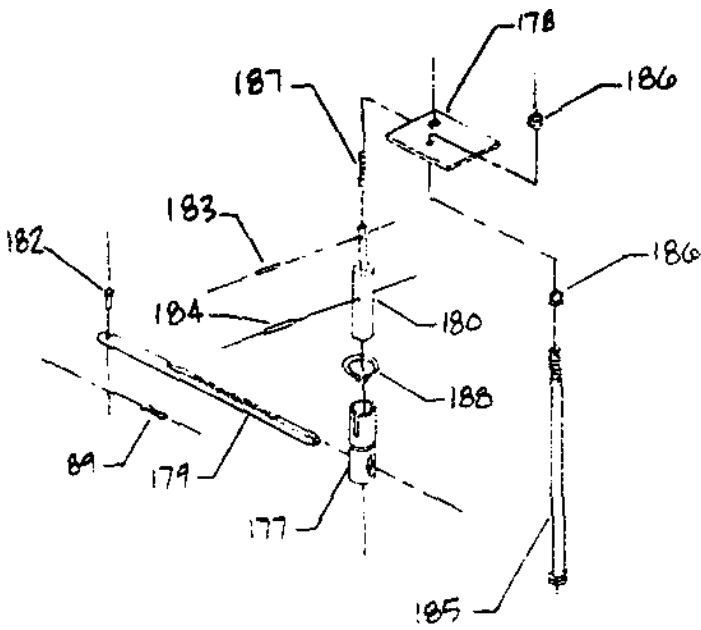
PANZITTA SALES & SERVICE
 72 George Avenue
 Wilkes-Barre, PA 18705
 570-822-6720 800-822-6720
www.panzittasales.com



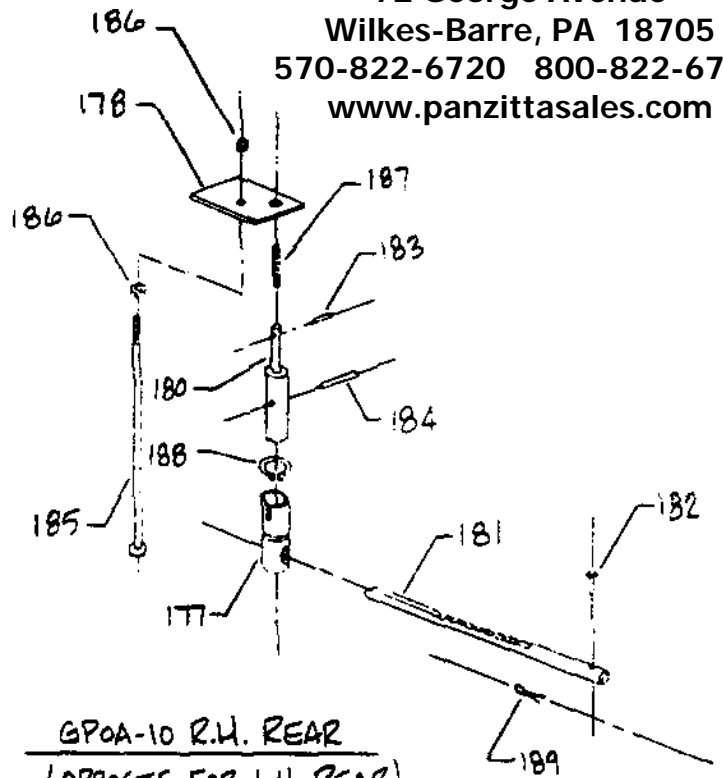
PANZITTA SALES & SERVICE
 72 George Avenue
 Wilkes-Barre, PA 18705
 570-822-6720 800-822-6720
 www.panzittasales.com
PARTS BREAKDOWN

ITEM	PART NO.	DESCRIPTION	-10 QTY.	-8,-9 QTY
177	300214	Supt. Tube Lock Bar	4	4
178	300215	Link Arm Restraint	4	
179	300216-7	Restraint Bar Front Arm	2	
180	300217	Restraint Pin Arm	4	4
181	300216-5	Restraint Bar Rear Arm	2	2
182	300136	Clevis Pin	4	4
183	1/8 x 3/4	Roll Pin	4	4
184	3/16 x 1 1/8	Roll Pin	4	4
185	3/8 - 16 x 5 1/2"	Hex Head Bolt	4	4
186	3/8 - 16	Hex Head Jam Nut	8	6
187	300222	Spring Arm Lock	4	4
188	300218-2	Snap Ring	4	4
189	1/8 x 1"	Cotter Pin	4	4
190	300216-9	Arm Restraint Bar		2
191	300284	Arm Lock Release Knob		4
192	300271	Arm Release Rod		2
193	300573	Coupling Nut		2
194	301076	Arm Restraint Release Bar		4

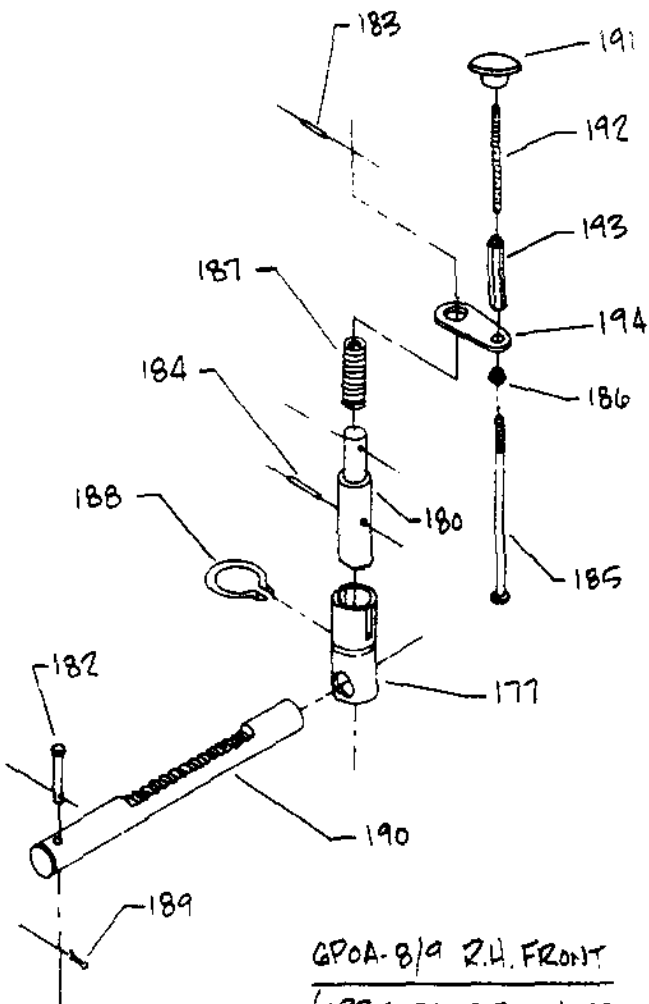
GPOA-8,-8L,-8H,-9,-9L,-9H,-10,-10L,-10H.max



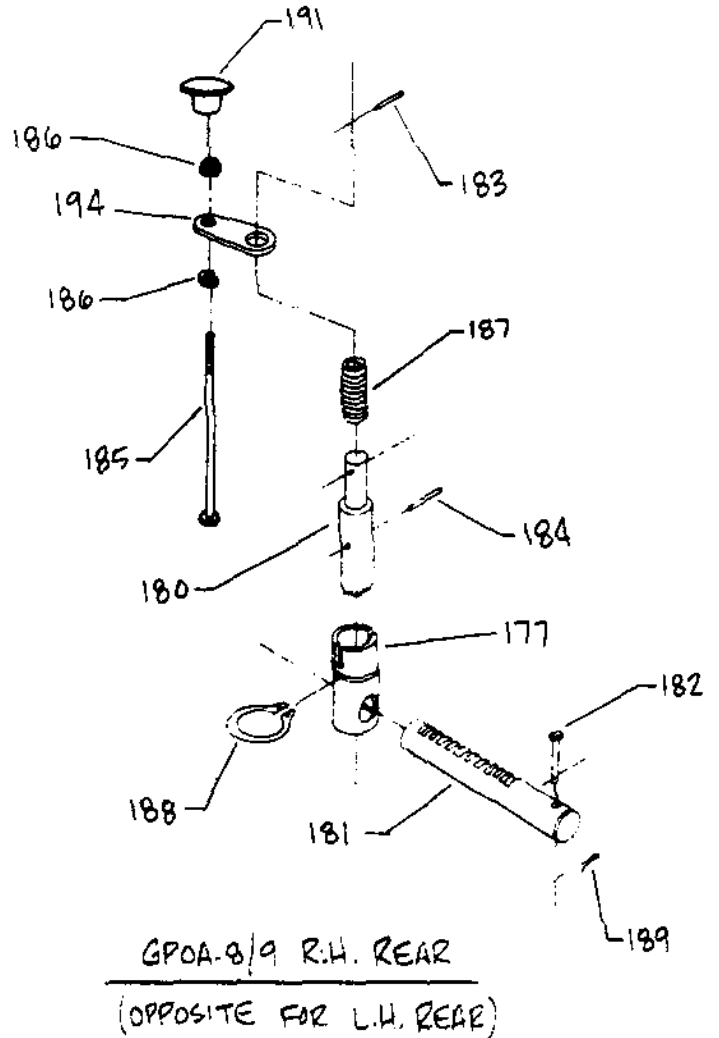
GPOA-10 R.H. FRONT
 (OPPOSITE FOR L.H. FRONT)



GPOA-10 R.H. REAR
 (OPPOSITE FOR L.H. REAR)



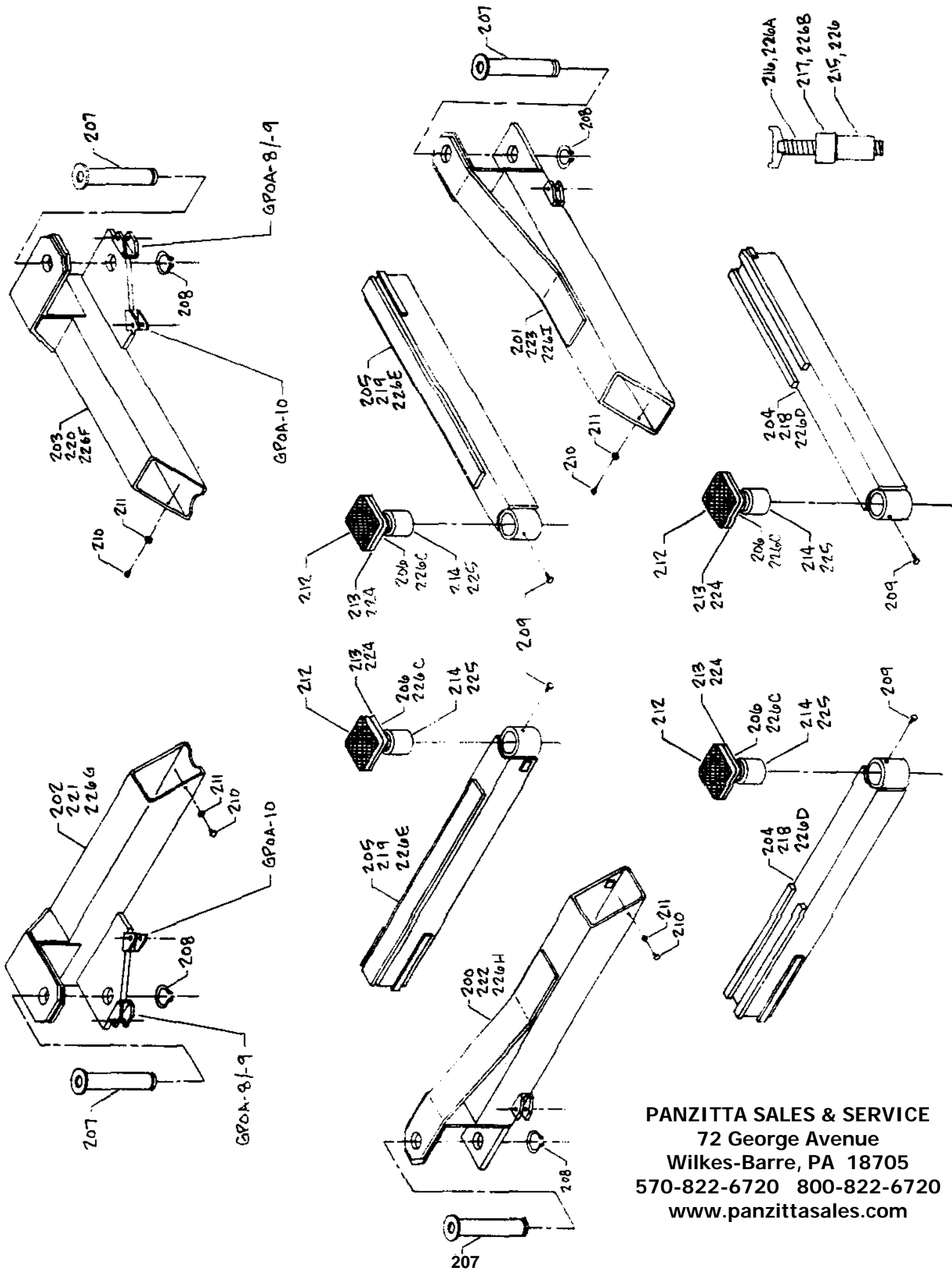
GPOA-8/9 R.H. FRONT
 (OPPOSITE FOR L.H. FRONT)



GPOA-8/9 R.H. REAR
 (OPPOSITE FOR L.H. REAR)

PARTS BREAKDOWN

NO.	PART NO.	DESCRIPTION	-9,-9L,-9H QTY	-8,-8L,-8H QTY	-10,-10L,-10H QTY
200	300418-4	Rear Arm R. H.	Ref		
201	300418-3	Rear Arm L. H.	Ref		
202	301101-2	Front Arm L. H.	Ref		
203	301101-1	Front Arm R. H.	Ref		
204	300426	Rear Arm Extension	Ref		
205	300428	Front Arm Extension	Ref		
206	100965	Adapter Assy. Lift Pad	4		4
207	300238	Pin Arm	Ref	Ref	Ref
208	300218-4	Snap Ring	Ref	Ref	Ref
209	5/16 -18 x 1/2"	Hex Head Bolt	4	4	4
210	3/8 - 16 x 1/2"	Hex Head Bolt	4	4	4
211	3/8	Flat Washer (1/32 Thk)	4	4	4
212	100533	Pad	4	4	4
213	100967	Screw Assy	4		4
214	101084	Nut	4		4
215	101086	Adapter Assy-Truck *Optional	4		4
216	100962	Screw Assy *Optional	4		4
217	101085	Extension Assy *Optional	4		4
218	301006	Rear Arm Extension		Ref	
219	301010	Front Arm Extension		Ref	
220	301009-2	Front Arm-R.H.		Ref	
221	301009-1	Front Arm-L.H.		Ref	
222	301005-2	Rear Arm-R.H.		Ref	
223	301005-1	Rear Arm-L.H.		Ref	
224	100948	Screw Assy		4	
225	100947	Nut		4	
226	100945	Adapter Assy-Truck*Optional		4	
226A	100955	Screw Assy *Optional		4	
226B	100954	Extension Assy*Optional		4	
226C	100946	Adapter Assy-Lift Pad		4	
226D	301008	Rear Arm Extension			Ref
226E	301012	Front Arm Extension			Ref
226F	301011-2	Front Arm-R.H.			Ref
226G	301011-1	Front Arm-L.H.			Ref
226H	301007-2	Rear Arm-R.H.			Ref
226I	301007-1	Rear Arm-L.H.			Ref



PANZITTA SALES & SERVICE
 72 George Avenue
 Wilkes-Barre, PA 18705
 570-822-6720 800-822-6720
www.panzittasales.com

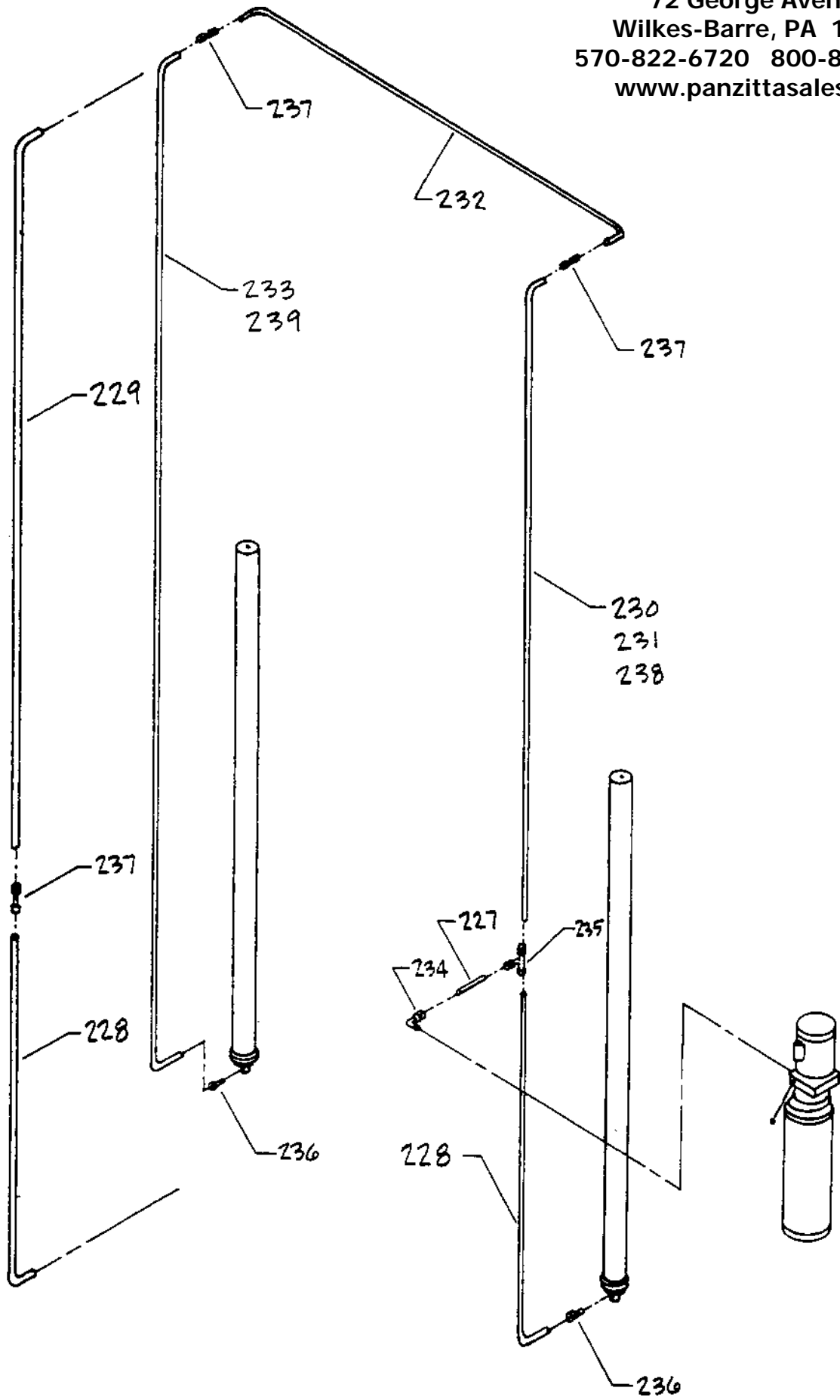
PANZITTA SALES & SERVICE
 72 George Avenue
 Wilkes-Barre, PA 18705
 570-822-6720 800-822-6720
 www.panzittasales.com

PARTS BREAKDOWN

NO.	PART NO.	DESCRIPTION	-8,-9,-10 QTY	-8H,-9H,-10H QTY	-8L,-9L,-10L QTY
227	300957	Hyd. Line-Pump	1	1	1
228	300953	Hyd. Line-Lower	1	2	1
229	300955-5	Hyd. Line-Upper		1	
230	300955-1	Hyd. Line-Pump to O.H. Beam	1		
231	300955-3	Hyd. Line-Pump to O.H. Beam		1	
232	300954	Hyd. Line-O.H. Beam	1	1	1
233	300956-1	Hyd. Line-Cyl. to O.H. Beam	1		
234	300624	Straight Thread Elbow	1	1	1
235	300965	Union Tee	1	1	1
236	301172	Male Connector	2	2	2
237	300968	Union	2	3	2
238	300955-7	Hyd. Line - Pump to O.H. Beam			1
239	300956-3	Hyd. Line - Cyl. to O.H. Beam			1

GPOA-8,-8L,-8H,-9,-9L,-9H,-10,-10L,-10H.max

PANZITTA SALES & SERVICE
72 George Avenue
Wilkes-Barre, PA 18705
570-822-6720 800-822-6720
www.panzittasales.com

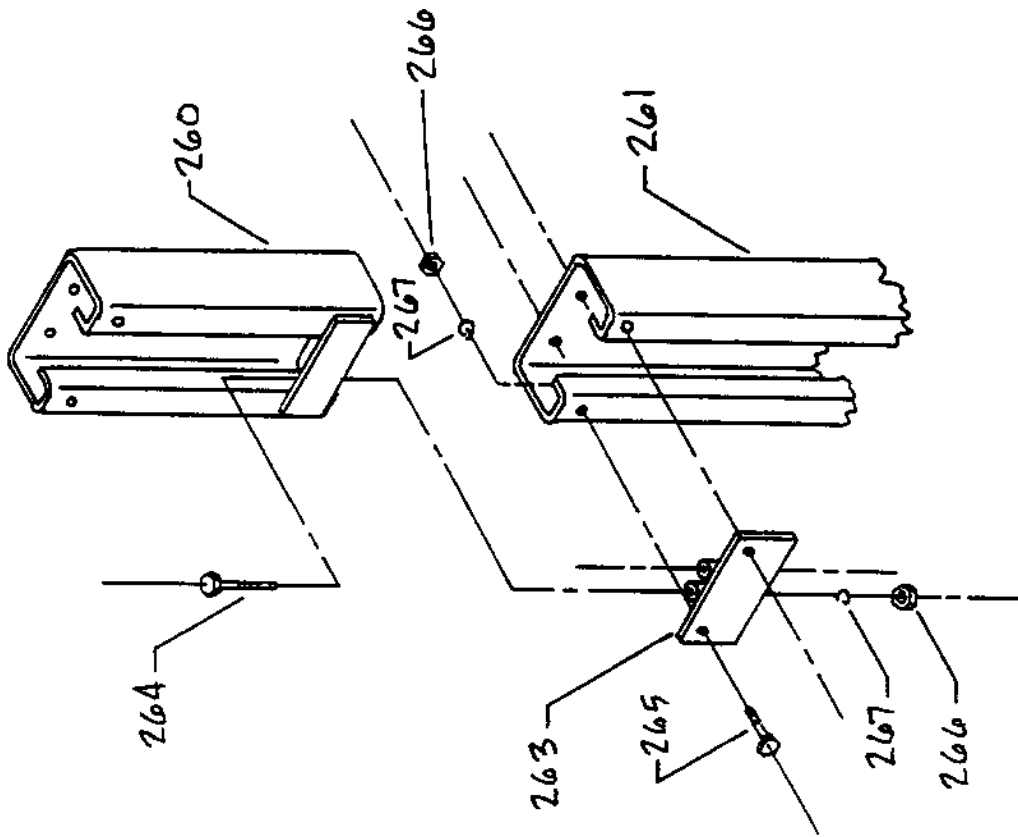


PANZITTA SALES & SERVICE
 72 George Avenue
 Wilkes-Barre, PA 18705
 570-822-6720 800-822-6720
 www.panzittasales.com

GPOA-8H, GPOA-9H, AND GPOA-10H EXTENSION ASSY.

NO.	PART NO.	DESCRIPTION	QTY
260	300868	Extension Assy-Column	Ref
261	300924	Column-R.H.	Ref
262	300776	Column-L.H.	Ref
263	300976	Beam Assy	Ref
264	7/16-14 X 4"	Hex Head Bolt (GR.5)	4
265	7/16-14 X 1 1/2	Hex Head Bolt (GR.5)	8
266	7/16-14	Hex Head Nut	12
267	7/16	Split Lock Washer	12

GPOA-8,-8L,-8H,-9,-9L,-9H,-10,-10L,-10H.max



PANZITTA SALES & SERVICE
 72 George Avenue
 Wilkes-Barre, PA 18705
 570-822-6720 800-822-6720
www.panzittasales.com

