

PANZITTA SALES & SERVICE

72 George Avenue

Wilkes-Barre, PA 18705

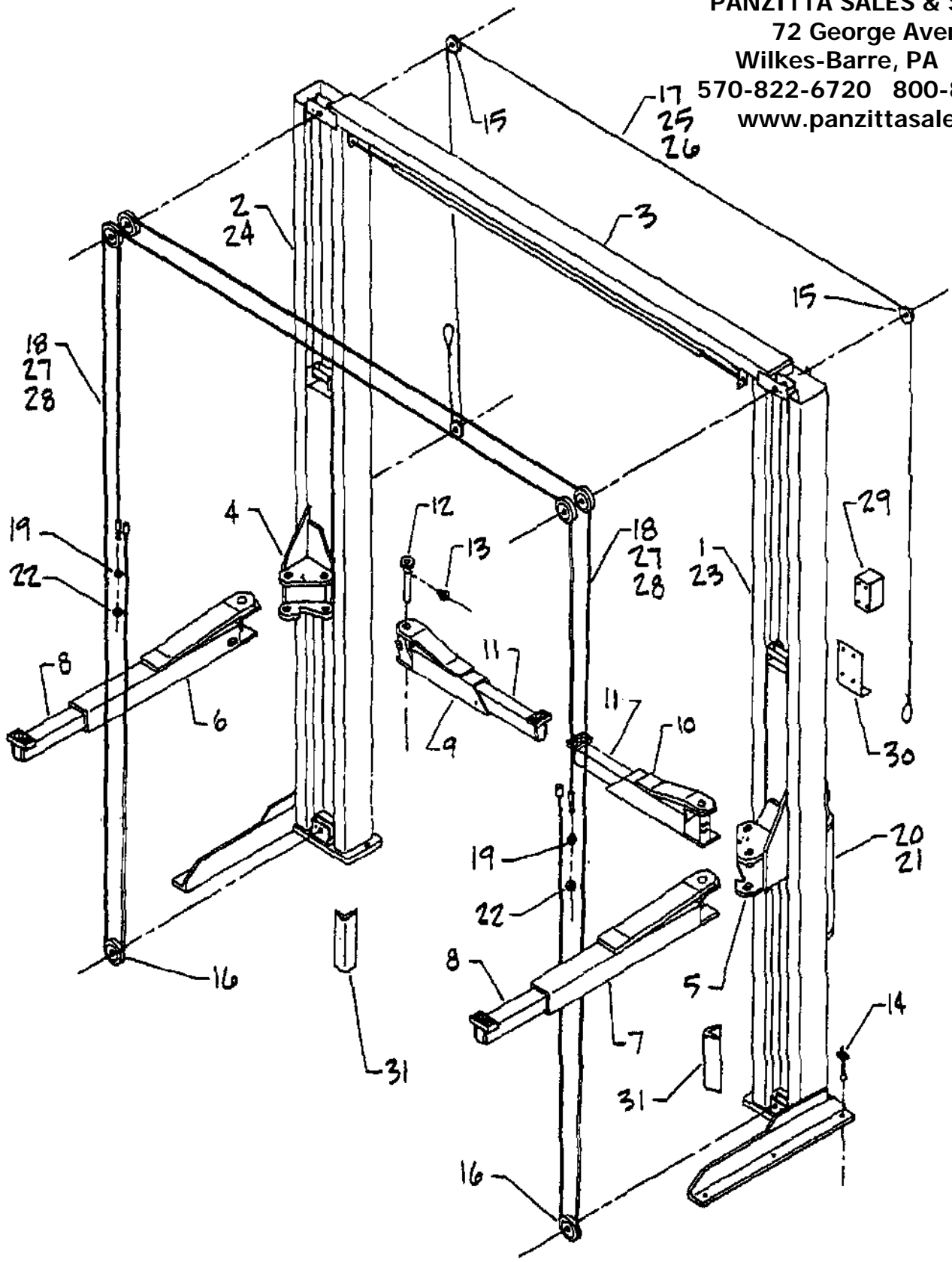
570-822-6720 800-822-6720

www.panzittasales.com

PARTS BREAKDOWN

NO.	PART NO.	DESCRIPTION	GPOA-7 QTY	GPOA-7L QTY	GPOA-7H QTY
1	300920	R.H. Column	1		1
2	300833	L.H. Column	1		1
3	300739	Overhead Beam	1	1	1
4	300822-1	Carriage-L.H.	1	1	1
5	300822-2	Carriage-R.H.	1	1	1
6	300323-1	Rear Arm-L.H.	1	1	1
7	300323-2	Rear Arm-R.H.	1	1	1
8	300201-7	Rear Arm Extension	2	2	2
9	300556-1	Front Arm-L.H.	1	1	1
10	300556-2	Front Arm-R.H.	1	1	1
11	300915	Front Arm Extension	2	2	2
12	300566	Pin-Arm	4	4	4
13	300218-13	Snap Ring	4	4	4
14	500388	Anchor Bolt Assy	8	8	8
15	300874	Puiley-Lock Release	3	3	3
16	300731	Pulley	6	6	6
17	300849-1	Cable Assy-Latch Release System	1		
18	300805-1	Cable Assy-Sync.	2		
19	1/2-20 UNF	Hex Head Nut	2	2	2
20	101067	Elec.-Hyd. Pump (1 Phase)	1	1	1
21	101068	Elect.-Hyd. Pump (3 Phase)*Option	1	1	1
22	1/2-20 UNF	Hex Head Jam Nut	2	2	2
23	300920-1	R.H. Column		1	
24	300833-1	L.H. Column		1	
25	300849-9	Cable Assy-Latch Rel. System		1	
26	300849-3	Cable Assy-Latch Rel. System			1
27	300805-2	Cable Assy-Synchronized		2	
28	300805-3	Cable Assy-Synchronized			2
29	100998	3 Phase Contactor *Option	1	1	1
30	300993	Brkt-3 Phase Contactor *Option	1	1	1
31	300568	Bumper-Corner	2	2	2

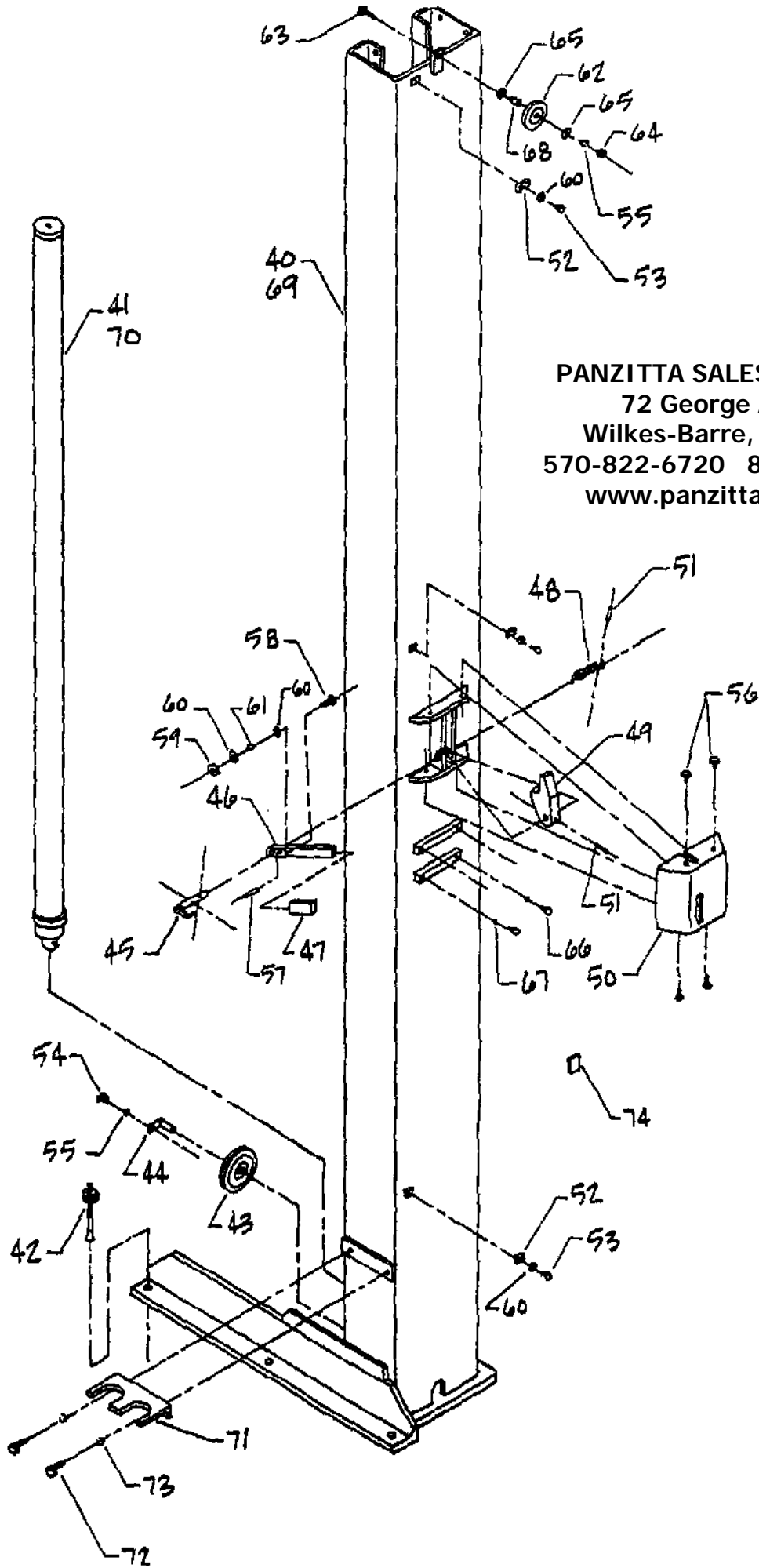
PANZITTA SALES & SERVICE
72 George Avenue
Wilkes-Barre, PA 18705
570-822-6720 800-822-6720
www.panzittasales.com



GPOA-7, GPOA-7L, GPOA-7H.max

PANZITTA SALES & SERVICE
72 George Avenue
Wilkes-Barre, PA 18705
570-822-6720 800-822-6720
www.panzittasales.com

NO.	PART NO.	DESCRIPTION	GPOA -7 QTY	GPOA -7L QTY	GPOA -7H QTY
40	300920	Column-R.H.	Ref.		Ref.
41	300718	Hyd. Cylinder	1		1
42	500388	Anchor Bolt Assy.	Ref.	Ref.	Ref.
43	300731	Pulley	Ref.	Ref.	Ref.
44	300835	Axle-Lower Pulley	1	1	1
45	300840	Release Assy.-Latch	1	1	1
46	300843	Handle-Latch Actuator	1	1	1
47	300944	Cover-Handle	1	1	1
48	300269	Spring-Safety Lock	1	1	1
49	300807	Latch	1	1	1
50	300912	Cover-R.H. Column	1	1	1
51	5/32 x 1 1/2"	Roll Pin	2	2	2
52	300947	Clamp-Cable	3	3	3
53	10-24 x 5/16"	Phillips Panhead Machine Screw	3	3	3
54	1/4-20 x 3/8"	Hex Head Bolt	1	1	1
55	1/4	Split Lock Washer	2	2	2
56	12-24 x 1/2"	Phillips Panhead Machine Screw	4	4	4
57	3/16 x 1/2"	Spring Pin	1	1	1
58	10-24 x 1"	Hex Head Bolt	1	1	1
59	10-24	Hex Head Lock Nut	1	1	1
60	3/16	Flat Washer (USS or SAE)	5	5	5
61	300844	Spacer-Cable Connecting	1	1	1
62	300874	Pulley-Lock Release	Ref.	Ref.	Ref.
63	1/4-20 x 1 1/2	Hex Head Bolt (GR.5)	1	1	1
64	1/4-20	Hex Head Nut	1	1	1
65	1/4	Flat Washer (USS)	2	2	2
66	5/16-18 x 5/8	Hex Head Bolt	4	4	4
67	5/16	Split Lock Washer	4	4	4
68	300875	Steel Inset-Pulley	1	1	1
69	300920-1	Column-R.H.		Ref.	
70	300936	Hyd. Cylinder		1	
71	300878-1	Bracket-Truck Adapter *Optional	1	1	1
72	1/4-20 x 3/8	Hex Head Bolt *Optional	2	2	2
73	1/4	Split Lock Washer *Optional	2	2	2
74	301013	Strip-Polyurethane	1	1	1



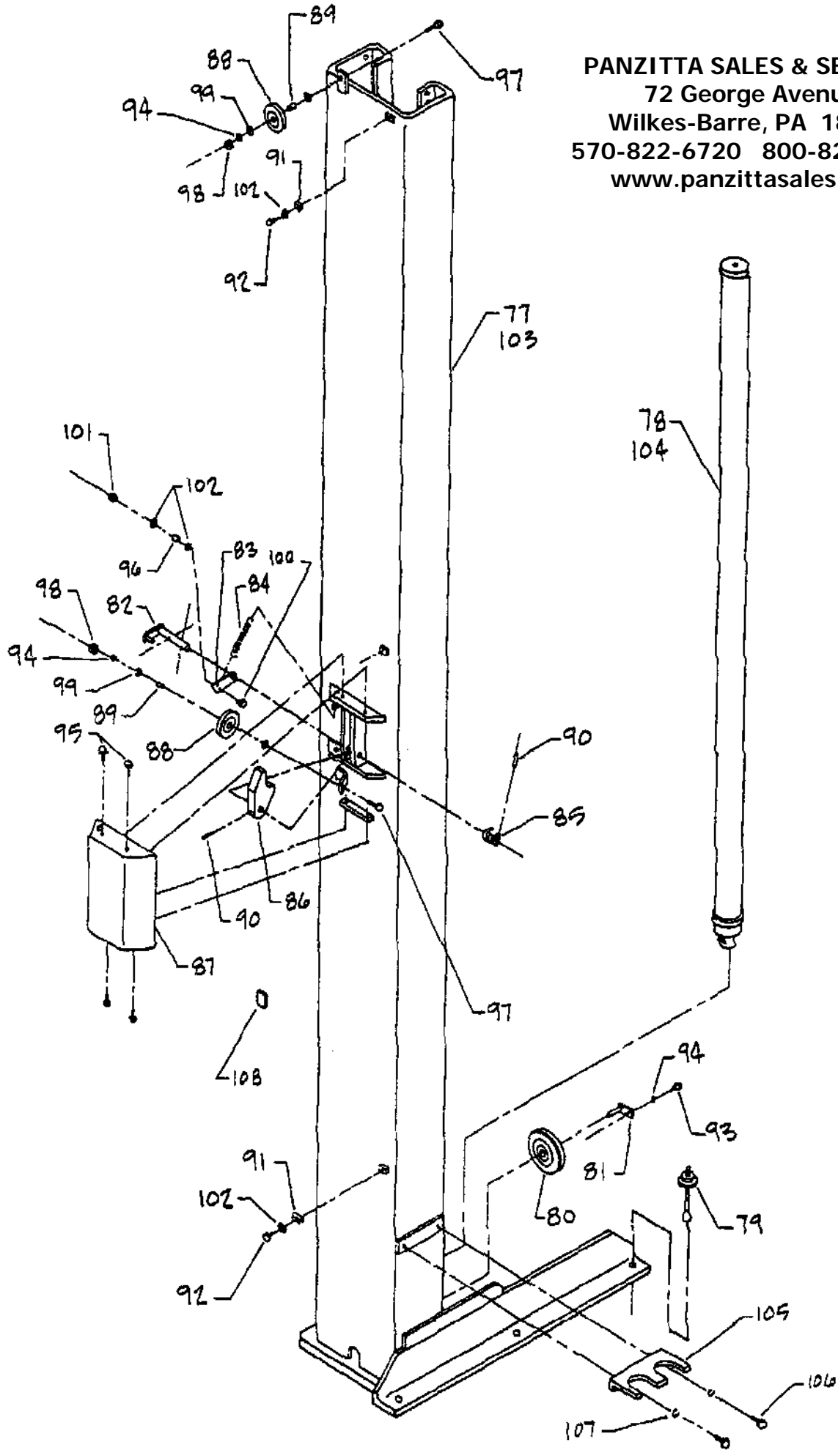
PANZITTA SALES & SERVICE
 72 George Avenue
 Wilkes-Barre, PA 18705
 570-822-6720 800-822-6720
www.panzittasales.com

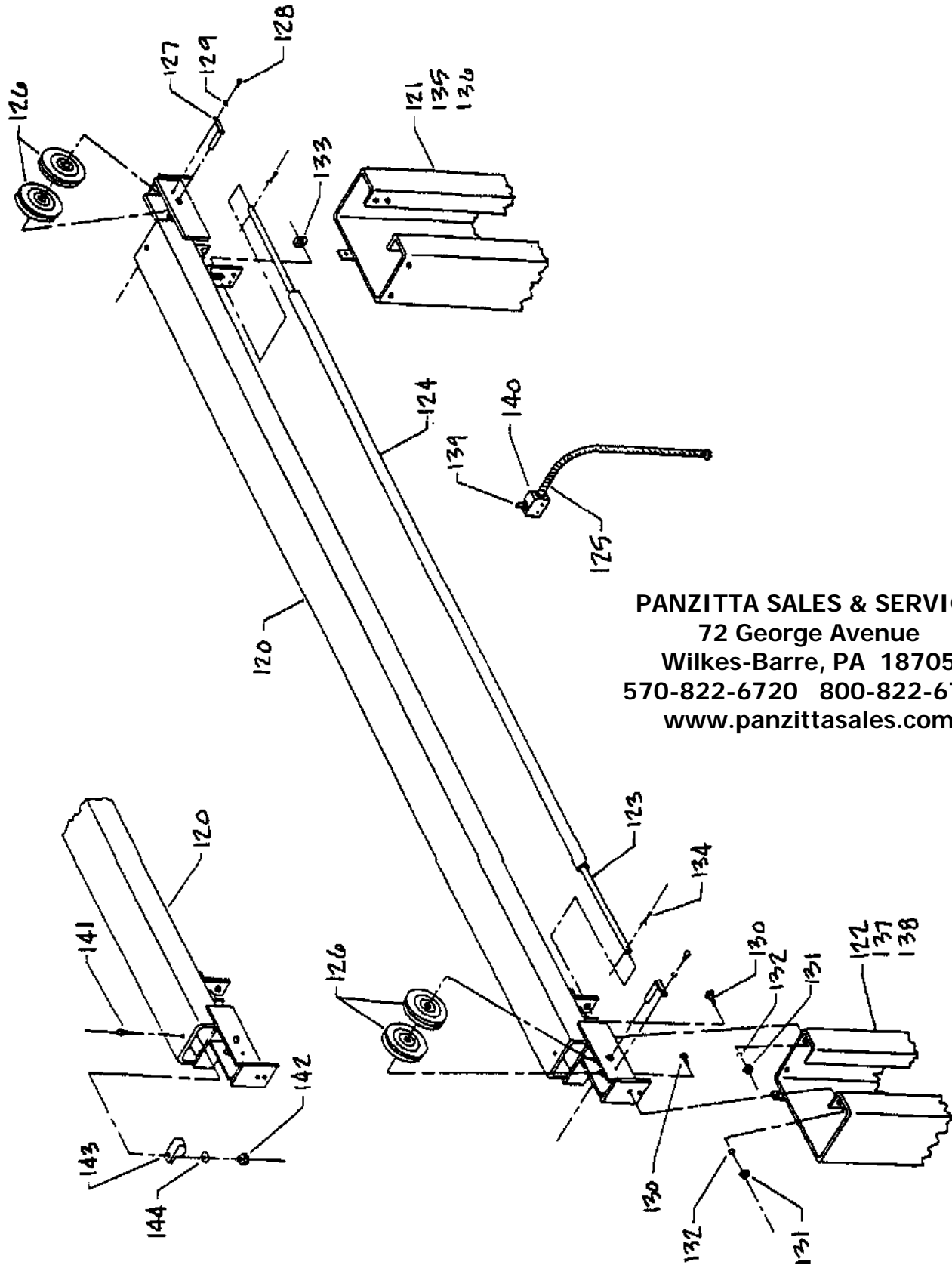
PANZITTA SALES & SERVICE
72 George Avenue
Wilkes-Barre, PA 18705
570-822-6720 800-822-6720
www.panzittasales.com

PARTS BREAKDOWN

NO.	PART NO.	DESCRIPTION	GPOA-7 QTY	GPOA-7L QTY	GPOA-7H QTY
77	300833	Column-L.H.	Ref.		Ref.
78	300718	Hyd. Cylinder	1		1
79	500388	Anchor Bolt Assy.	Ref.	Ref.	Ref.
80	300731	Pulley	Ref.	Ref.	Ref.
81	300835	Axle Assy-Lower Pulley	1	1	1
82	300840	Release Assy-Latch	1	1	1
83	300842	Lever-Latch Actuator	1	1	1
84	300873	Spring-Lock Release	1	1	1
85	300269	Spring-Safety Lock	1	1	1
86	300807	Latch	1	1	1
87	300913	Cover-L.H. Column	1	1	1
88	300874	Pulley-Lock Release	Ref.	Ref.	Ref.
89	300875	Steel Insert-Pulley	2	2	2
90	5/32 x 1 1/2"	Roll Pin	2	2	2
91	300947	Clamp-Cable	3	3	3
92	10-24 x 5/16"	Phillips Panhead Machine Screw	3	3	3
93	1/4-20 x 3/8"	Hex Head Bolt	1	1	1
94	1/4	Split Lock Washer	3	3	3
95	12-24 x 1/2"	Phillips Panhead Machine Screw	4	4	4
96	300844	Spacer-Cable Connecting	1	1	1
97	1/4-20 x 1 1/2"	Hex Head Bolt (GR.5)	2	2	2
98	1/4-20	Hex Head Nut	2	2	2
99	1/4	Flat Washer (USS)	4	4	4
100	10-24 x 1"	Hex Head Bolt	1	1	1
101	10-24	Hex Head Lock Nut	1	1	1
102	3/16	Flat Washer (USS or SAE)	5	5	5
103	300833-1	Column-L.H.		Ref.	
104	300936	Hyd. Cylinder		1	
105	300878-1	Bracket-Truck Adapter *Optional	1	1	1
106	1/4-20 x 3/8	Hex Head Bolt *Optional	2	2	2
107	1/4	Split Lock Washer *Optional	2	2	2
108	301013	Strip-Polyurethane	1	1	1

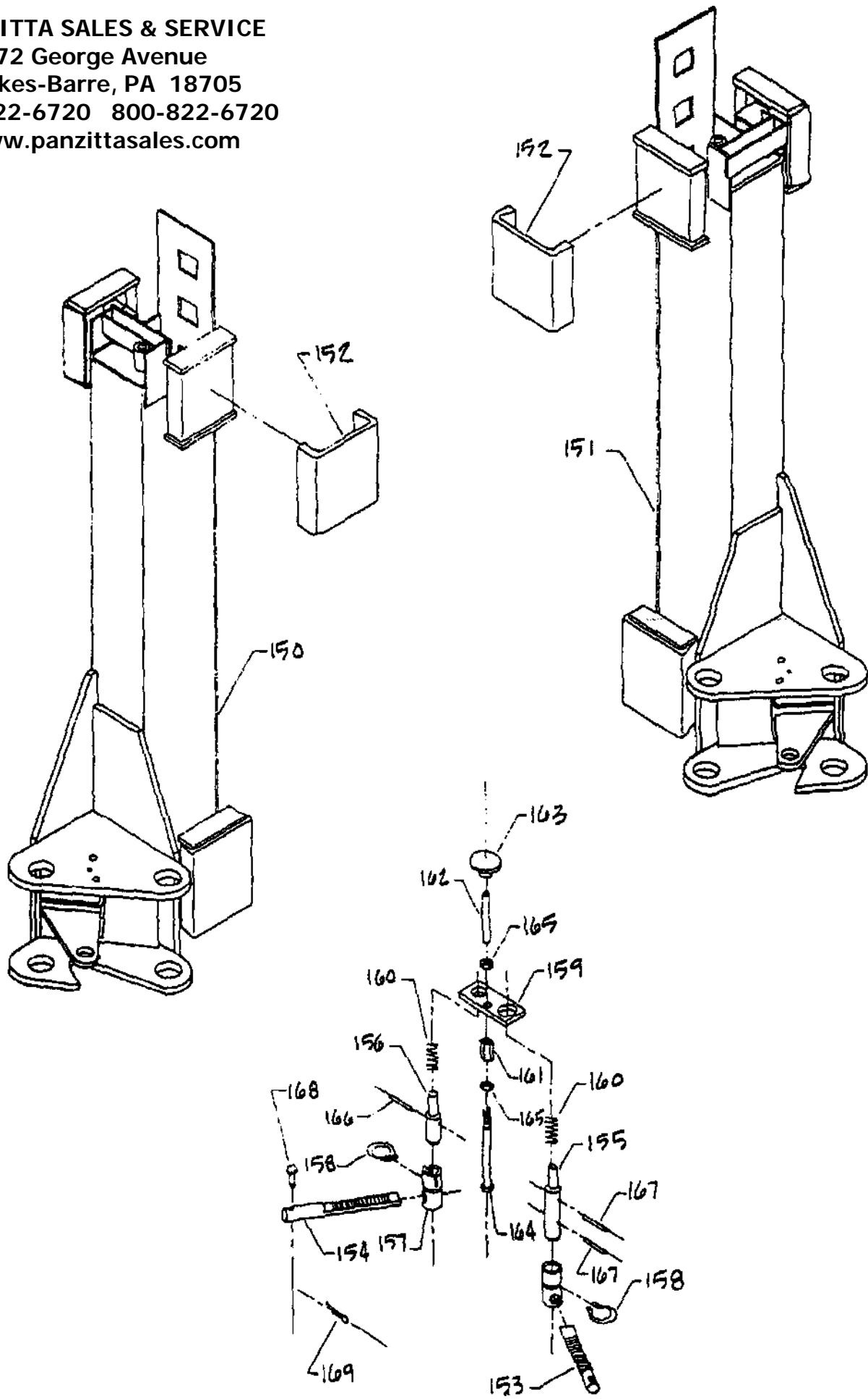
PANZITTA SALES & SERVICE
72 George Avenue
Wilkes-Barre, PA 18705
570-822-6720 800-822-6720
www.panzittasales.com





PANZITTA SALES & SERVICE
 72 George Avenue
 Wilkes-Barre, PA 18705
 570-822-6720 800-822-6720
www.panzittasales.com

PANZITTA SALES & SERVICE
72 George Avenue
Wilkes-Barre, PA 18705
570-822-6720 800-822-6720
www.panzittasales.com

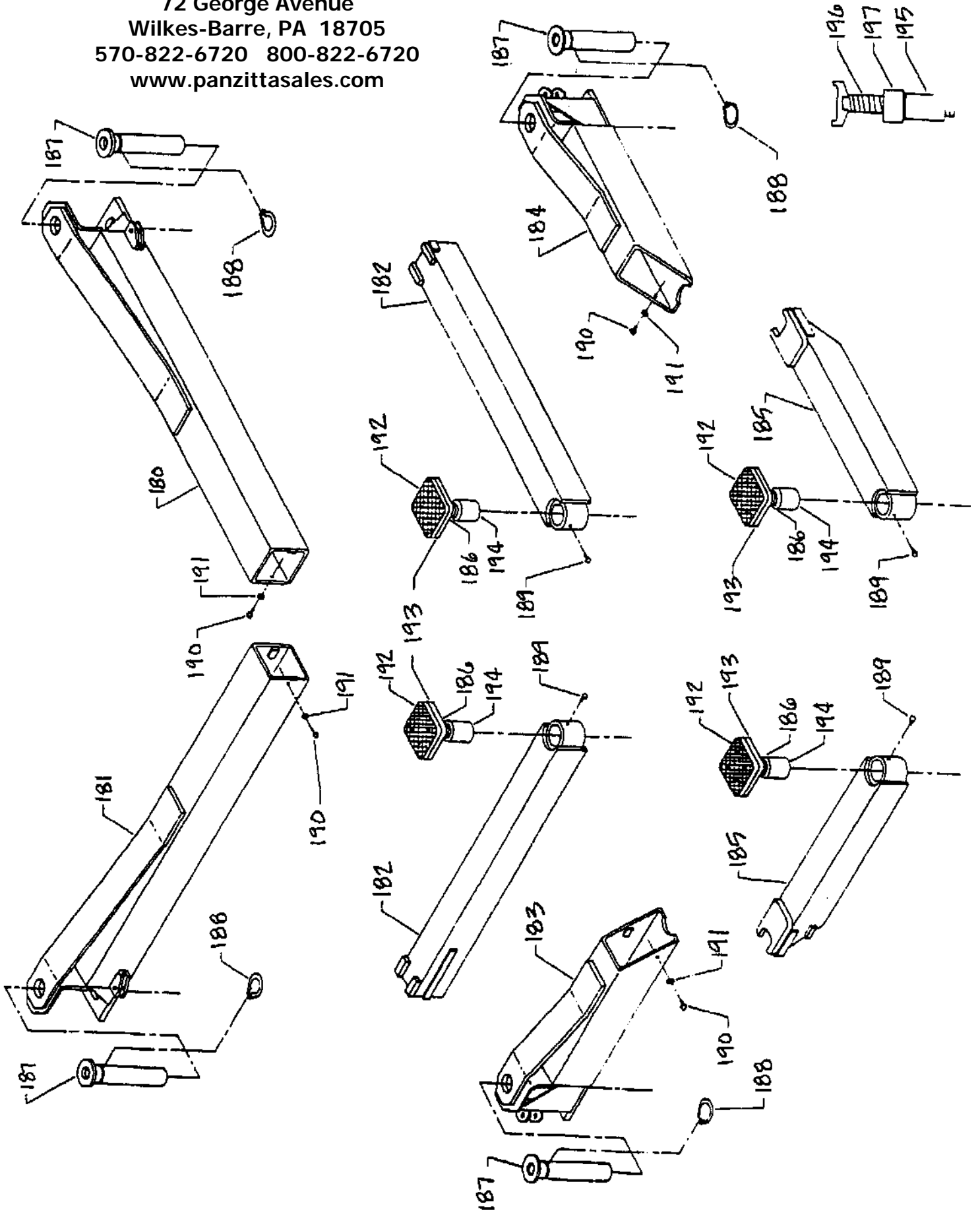


PANZITTA SALES & SERVICE
 72 George Avenue
 Wilkes-Barre, PA 18705
 570-822-6720 800-822-6720
 www.panzittasales.com

PARTS BREAKDOWN

NO.	PART NO.	DESCRIPTION	GPOA-7 QTY	GPOA-7L QTY	GPOA-7H QTY
180	300323-1	Rear Arm-L.H.	Ref.	Ref.	Ref.
181	300323-2	Rear Arm-R.H.	Ref.	Ref.	Ref.
182	300201-7	Rear Arm Extension	Ref.	Ref.	Ref.
183	300556-1	Front Arm-L.H.	Ref.	Ref.	Ref.
184	300556-2	Front Arm-R.H.	Ref.	Ref.	Ref.
185	300915	Front Arm Extension	Ref.	Ref.	Ref.
186	100946	Adapter Assy-Lift	4	4	4
187	300566	Pin -Arm	Ref.	Ref.	Ref.
188	300218-13	Snap Ring	Ref.	Ref.	Ref.
189	5/16-18 x 1/2	Hex Head Bolt	4	4	4
190	3/8-16 x 1/2	Hex Head Bolt	4	4	4
191	3/8	Flat Washer (1/32 THK)	4	4	4
192	100553	Pad	4	4	4
193	100967	Screw Assy	4	4	4
194	100966	Nut	4	4	4
195	101086	Adapter Assy-Truck *Optional	4	4	4
196	100962	Screw Assy *Optional	4	4	4
197	101085	Extension Assy *Optional	4	4	4

PANZITTA SALES & SERVICE
72 George Avenue
Wilkes-Barre, PA 18705
570-822-6720 800-822-6720
www.panzittasales.com



PANZITTA SALES & SERVICE
 72 George Avenue
 Wilkes-Barre, PA 18705
 570-822-6720 800-822-6720
 www.panzittasales.com

PARTS BREAKDOWN

NO.	PART NO.	DESCRIPTION	GPOA-7 QTY	GPOA-7L QTY	GPOA-7H QTY
200	300958	Hyd. Line-O.H. Beam	1	1	1
201	300959	Hyd. Line-Pump to Hyd. Cyl.	1	1	2
202	300960-7	Hyd. Line-Pump to O. H. Beam			1
203	300961-1	Hyd. Line-Hyd. Cyl. to O.H. Beam	1		
204	300957	Hyd. Line-Pump	1	1	1
205	300974	Elbow-Union	2	2	2
206	300965	Union Tee	1	1	1
207	300390	Elbow	2	2	2
208	500389	Nipple-Pipe	2	2	2
209	300624	Elbow	1	1	1
210	300960-1	Hyd. Line-Pump to O.H. Beam	1		
211	300960-3	Hyd. Line-Pump to O.H. Beam		1	
212	300960-5	Hyd. Line-Pump to O.H. Beam			1
213	300961-3	Hyd. Line-Hyd. Cyl. to O.H. Beam		1	
214	300968	Union			1
215	301166	Pipe Adapter	2	2	2

GPOA-7, GPOA-7L, GPOA-7H.max

PANZITTA SALES & SERVICE
 72 George Avenue
 Wilkes-Barre, PA 18705
PARTS BREAKDOWN 570-822-6720 800-822-6720
 www.panzittasales.com

NO.	PART NO.	DESCRIPTION	GPOA-7H QTY
225	300937	Extension Assy-R.H.	Ref.
226	300938	Extension Assy-L.H.	Ref.
227	300939-1	Angle-Extension Attach.	2
228	300920	Column Assy-R.H.	Ref.
229	300833	Column Assy-L.H.	Ref.
230	7/16-14 x 1 1/2	Hex Head Bolt (GR.5)	4
231	7/16-14 x 1 1/4	Hex Head Bolt (GR.5)	8
232	7/16-14	Hex Head Nut	12
233	7/16	Split Lock Washer	12

GPOA-7, GPOA-7L, GPOA-7H.max