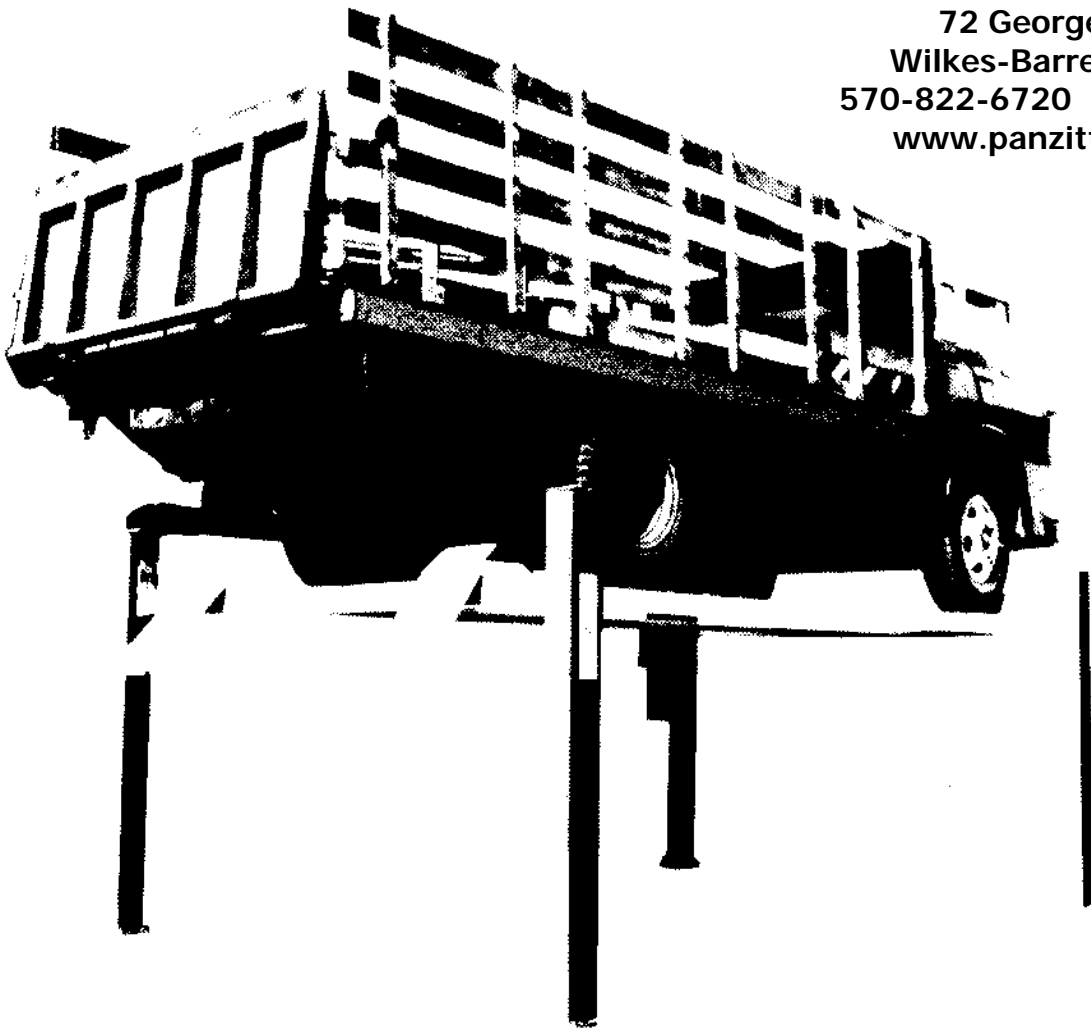


# **—Benwil®—**

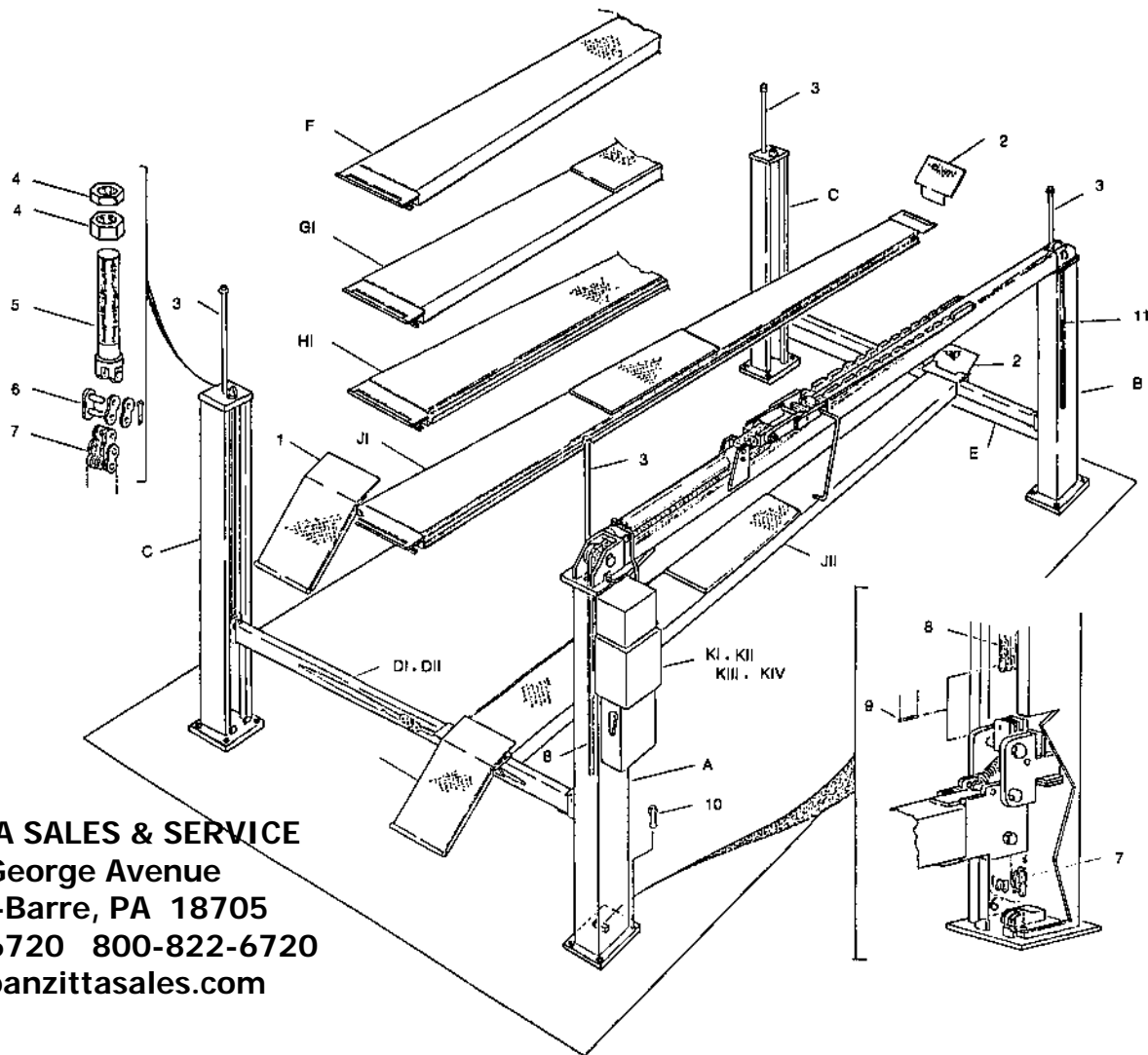
## **OPERATION & SERVICE INSTRUCTIONS MODEL FP-9, FP-9X, FP-9G and FP-9GX**

**PANZITTA SALES & SERVICE**  
72 George Avenue  
Wilkes-Barre, PA 18705  
570-822-6720 800-822-6720  
[www.panzittasales.com](http://www.panzittasales.com)



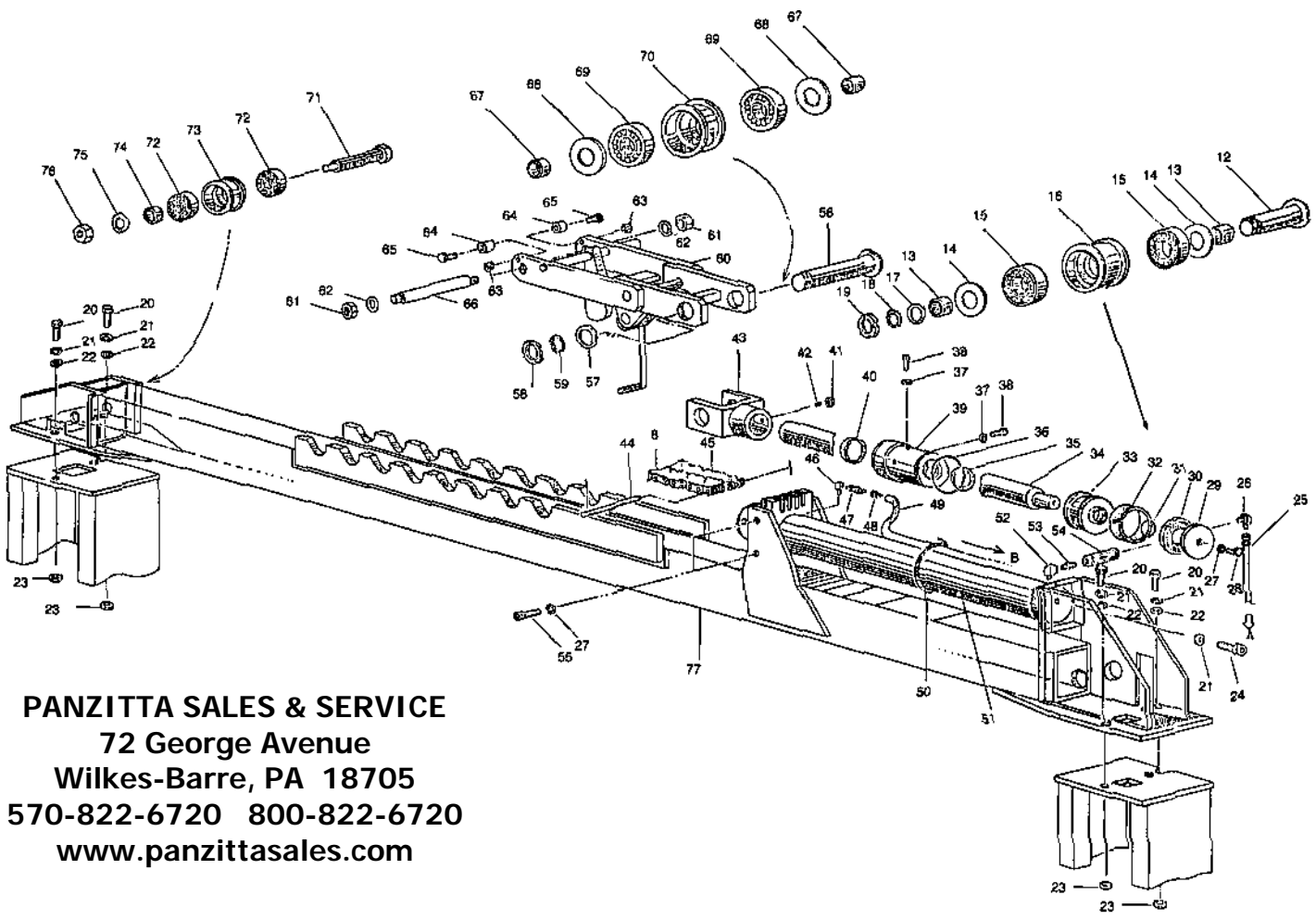
FP-9, FP-9X ,FP-9G, FP-9GX.max

# 5. PARTS BREAKDOWN



**PANZITTA SALES & SERVICE**  
 72 George Avenue  
 Wilkes-Barre, PA 18705  
 570-822-6720 800-822-6720  
 www.panzittasales.com

No.	Description	Part No.	Qty.				No.	Description	Part No.	Qty.			
			FP9	FP9X	FP9G	FP9XG				FP9	FP9X	FP9G	FP9XG
ZE1I	Driver Post Assy A (3 Phase)(3,A,KI)	00210000	1		1		E	End Beam L Assy	00210231	1	1	1	1
ZE1II	Driver Post Assy A (3 Phase)(3,A,KII)	00211000		1		1	F	Drive-On Beam	00210391	2			
ZE1III	Driver Post Assy A (1 Phase)(3,A,KIII)	00210010	1			1	GI	Drive-On Beam L	00212020		1		
ZE1IV	Driver Post Assy A (1 Phase)(3,A,KIV)	00211010		1		1	GII	Drive-On Beam R	00212040		1		
ZE2	Driver Post Assy B (3,B)	00210020	1	1	1	1	HI	Drive-On Beam L	00213060			1	
ZE3	Follower Post Assy (3,C)	00210030	2	2	2	2	HII	Drive-On Beam R	00213080			1	
ZE4	Drive-On Beam Assy (1,2,F)	00210370	2				JI	Drive-On Beam L	00213520				1
ZE5I	Drive-On Beam Assy L (1,2,GI)	00212010		1			JII	Drive-On Beam R	00213540				1
ZE5II	Drive-On Beam Assy R (1,2,GII)	00212030		1			KI	Hydraulic Unit (3 Phase)	00210710	1		1	
ZE6I	Drive-On Beam Assy L (1,2,HI)	00213050			1		KII	Hydraulic Unit (3 Phase)	00212510		1		1
ZE6II	Drive-On Beam Assy R (1,2,HII)	00213070			1		KIII	Hydraulic Unit (1 Phase)	00210730	1		1	
ZE7I	Drive-On Beam Assy L (1,2,JI)	00213510				1	KIV	Hydraulic Unit (1 Phase)	00212530		1		1
ZE7II	Drive-On Beam Assy R (1,2,JII)	00213530				1	1	Drive-On Ramp	00210430	2	2	2	2
A	Driver Post Pair A	00210050	1	1	1	1	2	Wheel Stopper	10500500	2	2	2	2
B	Driver Post Pair B	00210070	1	1	1	1	3	Safety Rod	00200520	4	4	4	4
C	Follower Post Pair	00210090	2	2	2	2	4	Hex Nut	90930116	4	4	4	4
DI	End Beam S Assy	00210211	1		1		5	Chain Rod	10521450	2	2	2	2
DII	End Beam S Assy	00211051		1		1	6	Offset Link Pin	80839331	4	4	4	4
							7	Leaf Chain (AL644)	80835261	2	2	2	2
							8	Leaf Chain (BL644)	80838161	1	1	1	1
							9	Joint Pin with Cotter Pin	50802170	2	2	2	2
							10	Set Anchor	50563651	16	16	16	16
							11	Leaf Chain (BL834)	80838331	1	1	1	1



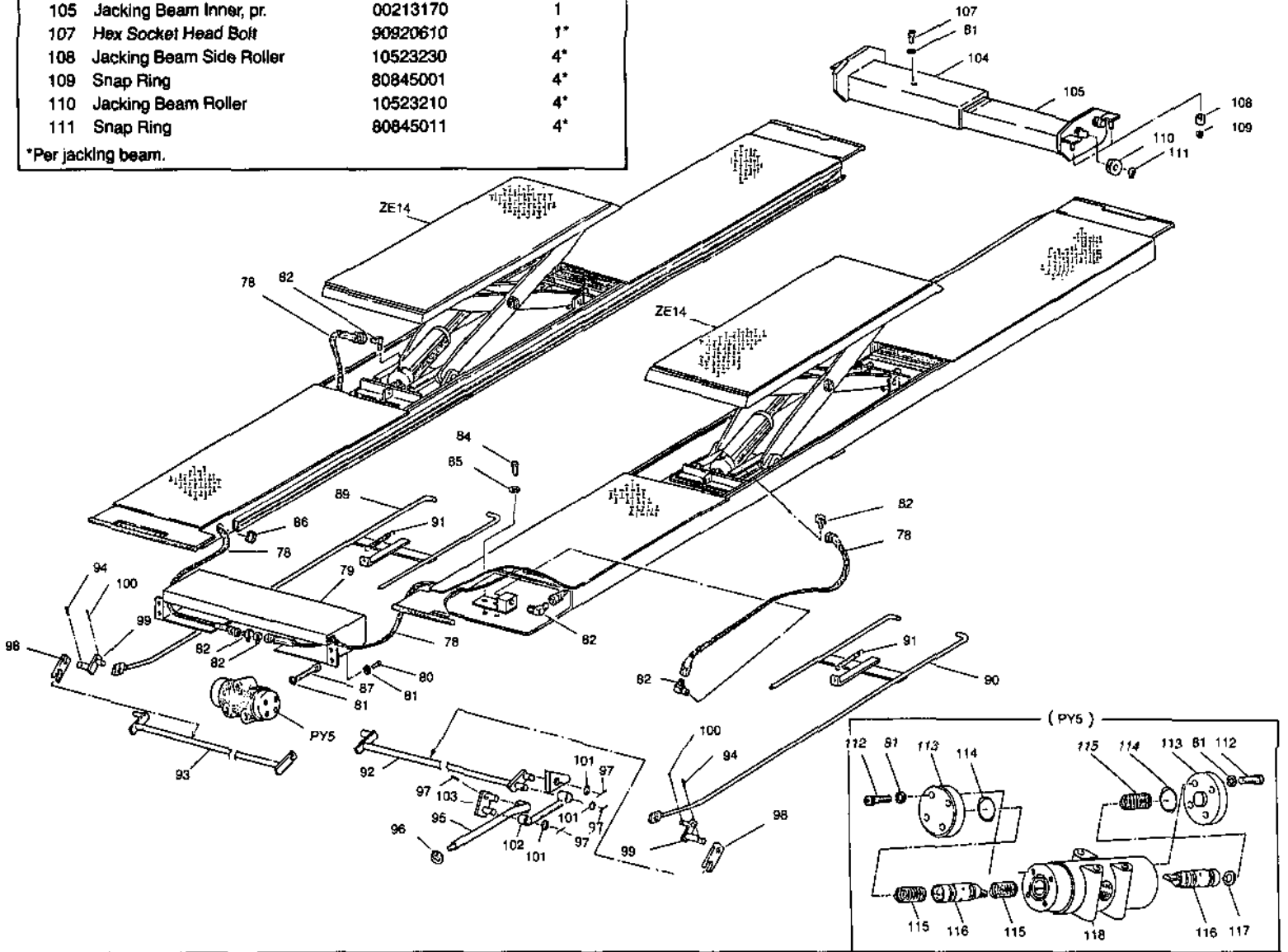
**PANZITTA SALES & SERVICE**  
 72 George Avenue  
 Wilkes-Barre, PA 18705  
 570-822-6720 800-822-6720  
 www.panzittasales.com

No.	Description	Part No.	Qty.				No.	Description	Part No.	Qty.			
			FP9	FP9X	FP9G	FP9GX				FP9	FP9X	FP9G	FP9GX
ZE 8	Post Beam Assy (12-19,21,24,27- 43,46-76)	00210100	1	1	1	1	43	Chain Bracket Pair	00210550	1	1	1	1
ZE 9	Cylinder Assy (27-40,51)	00210480	1	1	1	1	44	Link Pin L with Cotter Pin	50802150	1	1	1	1
ZE 10	Seal Kit (30-32,35-36,40)	00210490	1	1	1	1	45	Leaf Chain (BL834)	80838331	1	1	1	1
ZE 11	Safety Assy (60-66)	00210570	1	1	1	1	46	Male & Female Elbow	80810701	1	1	1	1
12	Sub Chain Wheel Shaft	00210150	1	1	1	1	47	Air Hose Joint	80812102	1	1	1	1
13	Sub Chain Shaft Collar	10520110	2	2	2	2	48	Hose Band	80825023	1	1	1	1
14	Bearing Seal (Small)	10520130	2	2	2	2	49	Overflow Hose	10501110	1	1	1	1
15	Taper Roller Bearing (35* x 80* x 21)	81230307	2	2	2	2	50	Tie Strap	80825280	3	3	3	3
16	Sub Chain Wheel	10520090	1	1	1	1	51	Cylinder Pair	00210530	1	1	1	1
17	Plain Washer	90930736	1	1	1	1	52	90° Male & Female Elbow	80813102	1	1	1	1
18	Bearing Washer	81004007	1	1	1	1	53	Grease Fitting	80814501	1	1	1	1
19	Bearing Nut	81000007	1	1	1	1	54	In-Line Check Valve	80818540	1	1	1	1
20	Hex Bolt	90911645	4	4	4	4	55	Hex Socket Head Bolt	90921225	4	4	4	4
21	Spring Washer	90930516	5	5	5	5	56	Chain Wheel Shaft Pair	00210610	1	1	1	1
22	Plain Washer	90930705	4	4	4	4	57	Plain Washer	90930746	1	1	1	1
23	Hex Nut	90930116	4	4	4	4	58	Bearing Nut	81000009	1	1	1	1
24	Hex Socket Head Bolt	90921640	1	1	1	1	59	Bearing Washer	81004009	1	1	1	1
25	High Pressure Hose	50802110	1	1	1	1	60	Safety Catch	00210560	1	1	1	1
26	Adaptor	80812922	1	1	1	1	61	Arm Pin Nut	10164531	2	2	2	2
27	Spring Washer	90930512	10	10	10	10	62	Plain Washer	90930730	2	2	2	2
28	Hex Bolt	90911235	1	1	1	1	63	Hex Nut	90930110	2	2	2	2
29	Piston Washer	10520990	1	1	1	1	64	Polyurethane Collar	10521330	2	2	2	2
30	U Packing (KY-70)	80801591	1	1	1	1	65	Hex Socket Head Bolt	90921050	2	2	2	2
31	O Ring (P-35)	80800034	1	1	1	1	66	Safety Rack Pin	10521070	1	1	1	1
32	Wear Ring	80804090	1	1	1	1	67	Chain Wheel Collar	10521050	2	2	2	2
33	Piston	10520970	1	1	1	1	68	Bearing Seal (Large)	10521030	2	2	2	2
34	Piston Rod	10168152	1	1	1	1	69	Taper Roller Bearing	81230309	2	2	2	2
35	U Packing	80801050	1	1	1	1	70	Chain Wheel	10521010	1	1	1	1
36	O Ring (G-85)	80800133	1	1	1	1	71	End Beam Bolt S	10500360	1	1	1	1
37	Spring Washer	90930508	3	3	3	3	72	Taper Roller Bearing	81230304	1	1	1	1
38	Hex Socket Head Bolt	90920815	3	3	3	3	73	Beam Chain Wheel	10520170	1	1	1	1
39	Cylinder Cover	10192271	1	1	1	1	74	End Beam Bolt Collar	10520150	1	1	1	1
40	Dust Seal (DH50)	80803050	1	1	1	1	75	Plain Washer	90930720	1	1	1	1
41	Hex Socket Head Screw	90960825	1	1	1	1	76	Sealed Nut	90931520	1	1	1	1
42	Hex Nut	90930108	1	1	1	1	77	Post Beam Pair	00210130	1	1	1	1
							78	Leaf Chain (BL834)	80838161	1	1	1	1

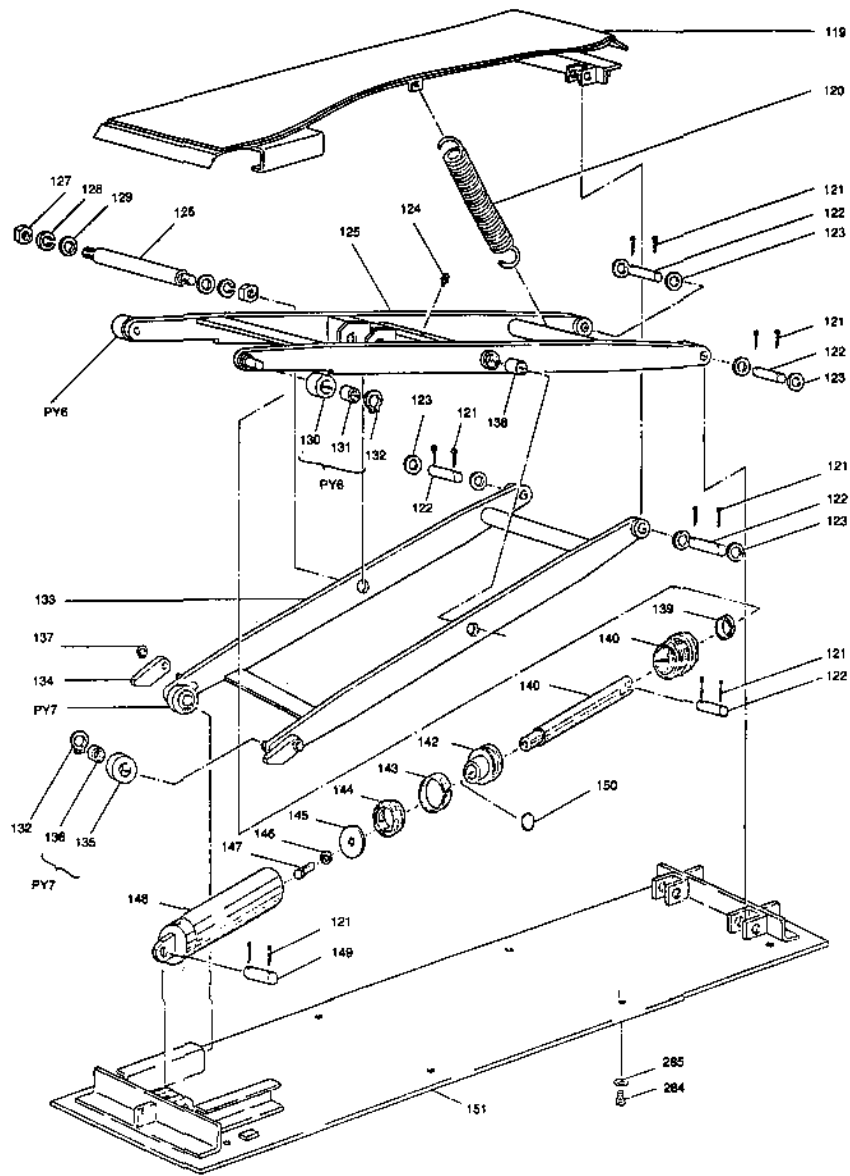
**Jacking Beam Option (for models FP-9G, FP-9XG)**

No.	Description	Part No.	Qty. Required
ZE13	Jacking Beam Assy. (81,104,105,107-111)	00213130	1
81	Spring Washer	90930506	1*
104	Jacking Beam Outer, pr.	00213150	1
105	Jacking Beam Inner, pr.	00213170	1
107	Hex Socket Head Bolt	90920610	1*
108	Jacking Beam Side Roller	10523230	4*
109	Snap Ring	80845001	4*
110	Jacking Beam Roller	10523210	4*
111	Snap Ring	80845011	4*

\*Per jacking beam.



No.	Description	Part No.	Qty.				No.	Description	Part No.	Qty.			
			FP9	FP9X	FP9G	FP9XG				FP9	FP9X	FP9G	FP9XG
PY5	Flow Divider (81,112-118)	00071231		1	1	95	Unlock Handle	00212330		1	1		
78	High Pressure Hose A	50802270		4	4	96	Grip Ball	50560701		1	1		
79	Flow Divider Cover	10522750		1	1	97	Roll Pin	90980320		1	1		
80	Round Head Small Screw	90940610		4	4	98	Unlock Cum	10522570		2	2		
81	Spring Washer	90930506		16	16	99	Unlock Arm	00212310		2	2		
82	Adaptor	80813050		8	8	100	Cotter Pin	90973016		2	2		
83	Hose Joint B Pair	00212430		2	2	101	Plain Washer	90930712		3	3		
84	Hex Bolt	90910812		4	4	102	Bridge Link Pair	00212370		1	1		
85	Spring Washer	90930508		4	4	103	Handle Link Pair	00212350		1	1		
86	Flexible Bushing	80821620		2	2	112	Hex Socket Head Bolt	90920625		8	8		
87	Hex Socket Head Bolt	90920675		3	3	113	Flow Divider Cap	10215621		2	2		
89	Outer Arm L	00212250		1	1	114	O Ring	80800029		2	2		
90	Outer Arm R	00212230		1	1	115	Flow Divider Spring A	50615021		3	3		
91	Unlock Spring	50802250		2	2	116	Flow Divider Spool	10215631		2	2		
92	M Unlock Shaft Pair	00212290		1	1	117	Flow Divider Collar	10215641		1	1		
93	S Unlock Shaft Pair	00212270		1	1	118	Flow Divider Housing	10215611		1	1		
94	Roll Pin	90980325		3	3								

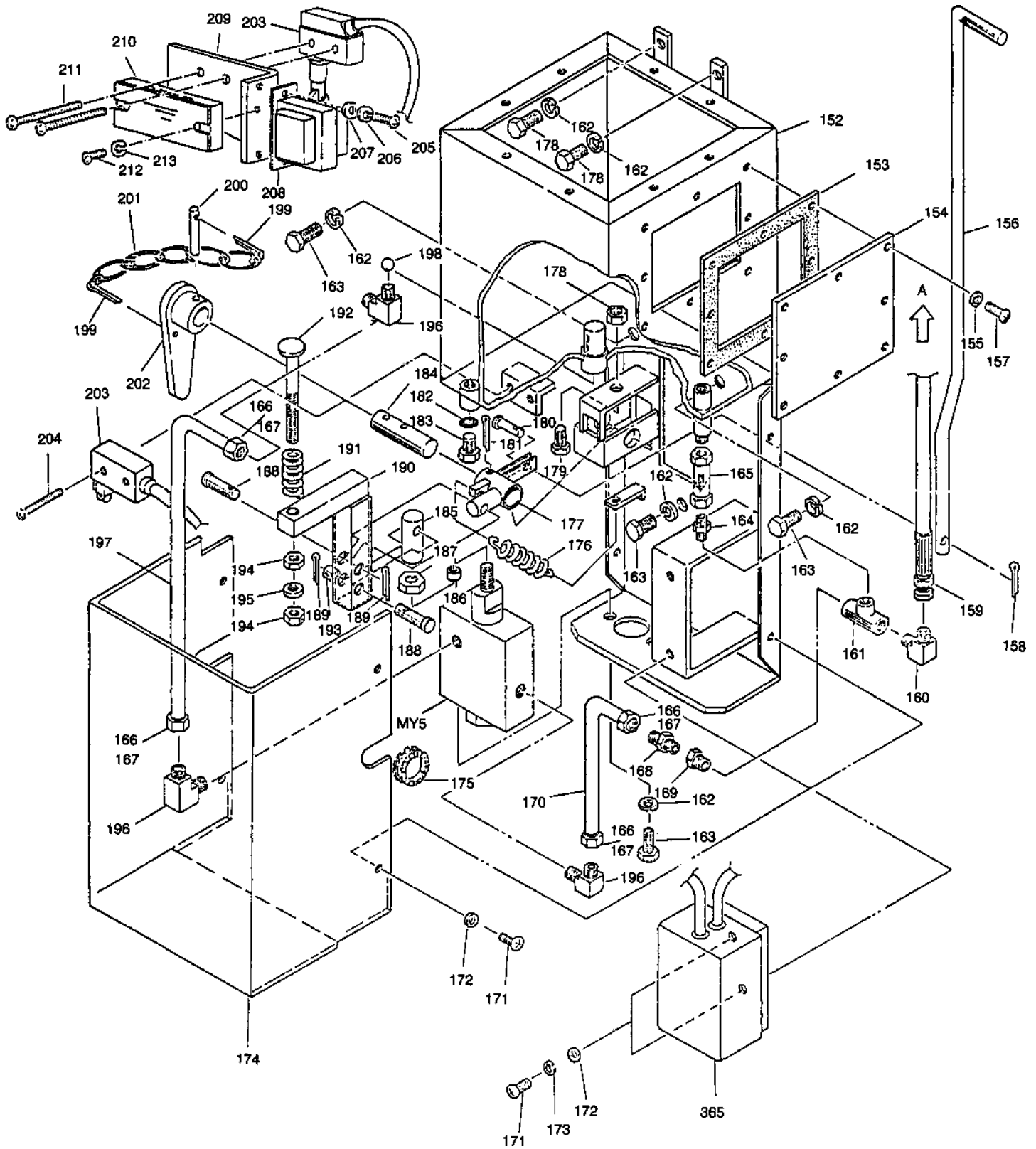


No.	Description	Part No.	Qty.				No.	Description	Part No.	Qty.			
			FP9	FP9X	FP9G	FP9XG				FP9	FP9X	FP9G	FP9XG
PY6	Guide Roller A Assy (130,131)	00071041	4		4		133	Outer Link	00071091		2		2
PY7	Guide Roller B Assy (135,136)	00071051	4		4		134	Safety Hook	10216571		2		2
PY8	Scissors Lift Cylinder Assy (139-148,150)	00071011	2		2		135	Guide Roller B	10215151		4		4
ZE13	Scissors Lift Assy (119-151)	00212050	2		2		136	Metal Bushing A	10215181		4		4
ZE14	Scissors Lift Seal Kit (139,143,144,150)		4		4		137	Snap Ring	80845015		2		2
119	Free Wheel Table Assy	00071061	2		2		138	Arm Metal Bushing	10303260		4		4
120	Return Spring	50615011	2		2		139	Wear Ring	80804035		2		2
121	Cotter Pin	90973035	16		16		140	Scissors Lift Cylinder Cover	10215081		2		2
122	Link Pin	10215171	8		8		141	Scissors Lift Piston Rod	10215071		2		2
123	Plain Washer	90930720	16		16		142	Piston	10210361		2		2
124	Grease Fitting	80827006	2		2		143	Wear Ring	80804035		2		2
125	Inner Link	00071111	2		2		144	Cylinder Packing	50610361		2		2
126	Center Shaft	10215161	2		2		145	Piston Washer	10210391		2		2
127	Hex Nut	90930316	4		4		146	Spring Washer	90930512		2		2
128	Spring Washer	90930516	4		4		147	Hex Bolt	90911225		2		2
129	Plain Washer	90930716	4		4		148	Scissors Lift Cylinder	00071021		2		2
130	Guide Roller A	10215141	4		4		149	Cylinder Pin	10215091		2		2
131	Metal Bushing B	10215191	4		4		150	O Ring	80800024		2		2
132	Snap Ring	80845011	8		8		151	Scissors Lift Base	00212130		2		2
							284	Hex Bolt	90911015		12		12
							285	Spring Washer	90930510		12		12

**PANZITTA SALES & SERVICE**  
**72 George Avenue**  
**Wilkes-Barre, PA 18705**  
**570-822-6720 800-822-6720**  
**www.panzittasales.com**

No.	Description	Part No.	Qty.				No.	Description	Part No.	Qty.			
			FP9	FP9X	FP9G	FP9XG				FP9	FP9X	FP9G	FP9XG
KI	Hydraulic Unit Assy (3 Phase) (152-213,365,MY5)	00210710	1		1		180	Pin	50501681	1		1	
KIII	Hydraulic Unit Assy (1 Phase) (152-204,365,MY5)	00210730	1		1		181	Cotter Pin	90975035	1		1	
ZE15I	Wiring Set (3 Phase) (203,205-213,365)	50616101	1		1		182	O Ring	80800250	1		1	
ZE15II	Wiring Set (1 Phase)(203,365)	50616111	1		1		183	Hex Bolt	90911220	1		1	
PY4	Handle Set (199-202)	00071341	1		1		184	Handle Shaft	10210862	1		1	
MY5	Valve Assy (324-335)	00052612	1		1		185	Valve Adjuster	10162551	1		1	
152	Oil Tank Pair	00200460	1		1		186	Valve Spacer	10210711	1		1	
153	Gasket	50562203	1		1		187	Hex Nut	90930110	5		5	
154	Tank Side Cover	10162203	1		1		188	Cum Pin	10134971	2		2	
155	Plain Washer	90930705	8		8		189	Cotter Pin	90972516	3		3	
156	Limit Bar	10501070	1		1		190	Control Rod	00070132	1		1	
157	Round Head Small Screw	90940512	8		8		191	Switch Plunger	50562721	1		1	
158	Cotter Pin	90972516	3		3		192	Switch Pin	10162722	1		1	
159	High Pressure Hose	50802110	1		1		193	Cum Pin Collar	10210731	1		1	
160	Adaptor	80813050	1		1		194	Hex Nut	90930308	2		2	
161	High Pressure Joint	80814016	1		1		195	Plain Washer	90930708	1		1	
162	Spring Washer	90930508	17		17		196	90° Elbow	80813910	4		4	
163	Hex Bolt	90910812	5		5		197	Returning Pipe	10210701	1		1	
164	High Pressure Adaptor	80814503	1		1		198	Steel Ball	80843031	1		1	
165	Check Valve	80814016	1		1		199	Cotter Pin	90973020	2		2	
166	Nut	80813610	4		4		200	Handle Pin	10210891	1		1	
167	Sleeve	80814710	4		4		201	Chain	00070176	1		1	
168	Connector	80814910	2		2		202	Handle Pair	00070161	1		1	
169	Bushing	80814423	1		1		203	Micro Switch	80820729	1		1	
170	High Pressure Pipe B	10501080	1		1		204	Round Head Small Screw	90940430	2		2	
171	Round Head Small Screw	90940608	6		6		<b>(For 3 Phase)</b>						
172	Plain Washer	90930706	6		6		205	Round Head Small Screw	90940410	4		4	
173	Spring Washer	90930506	9		9		206	Spring Washer	90930504	4		4	
174	Control Panel Cover	10501060	1		1		207	Plain Washer	90930704	2		2	
175	Flexible Bushing	80821618	1		1		208	Transformer	80820810	1		1	
176	Safety Spring	50612611	1		1		209	Transformer Bracket	10167211	1		1	
177	Control Boss	00200440	1		1		210	Terminal Box	80821410	1		1	
178	Hex Bolt	90910820	11		11		211	Round Head Small Screw	90940430	2		2	
179	Hex Nut	90930308	6		6		212	Round Head Small Screw	90940410	2		2	
							213	Spring Washer	90930504	2		2	
							365	Magnet switch	80820641	1		1	

FP-9, FP-9X ,FP-9G, FP-9GX.max



FP-9, FP-9X ,FP-9G, FP-9GX.max

**PANZITTA SALES & SERVICE**  
**72 George Avenue**  
**Wilkes-Barre, PA 18705**  
**570-822-6720 800-822-6720**  
**www.panzittasales.com**

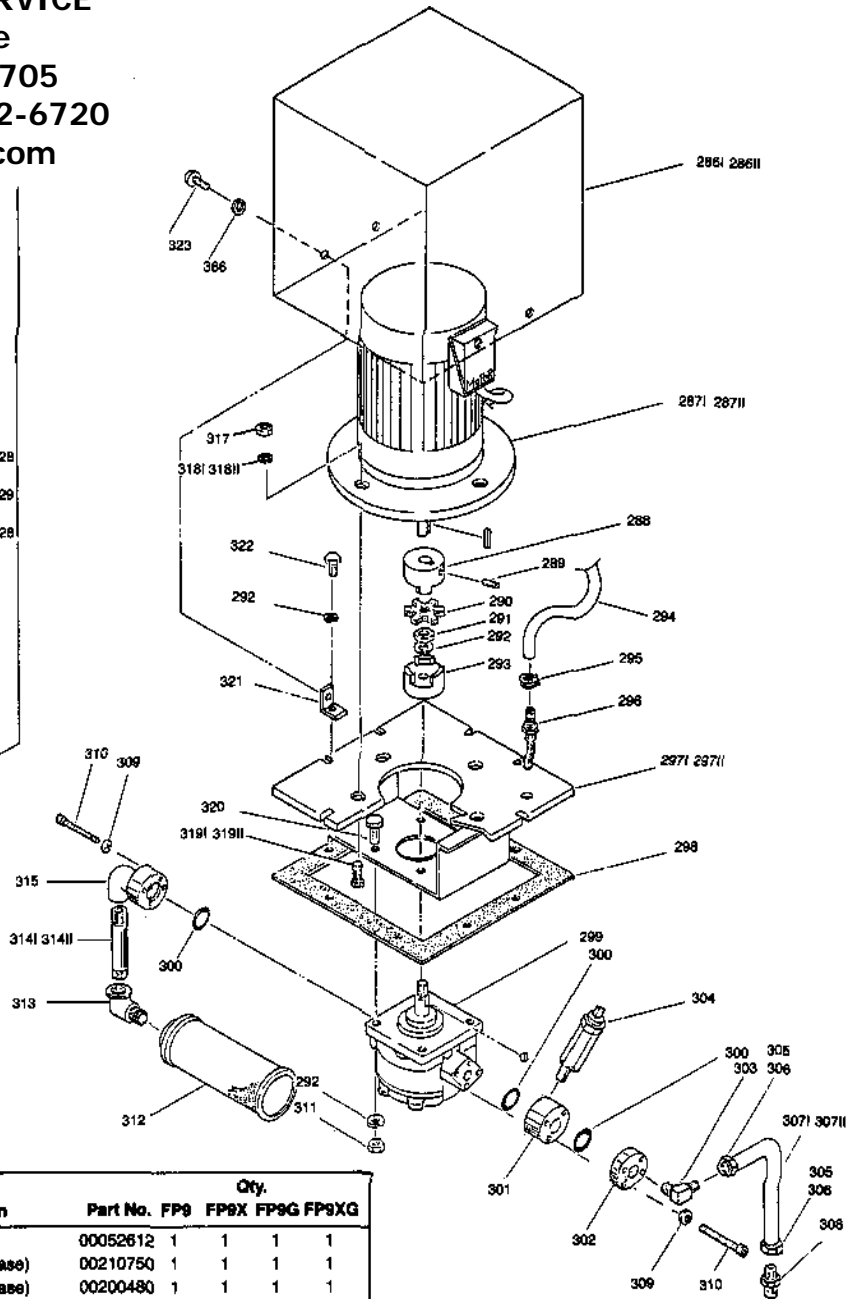
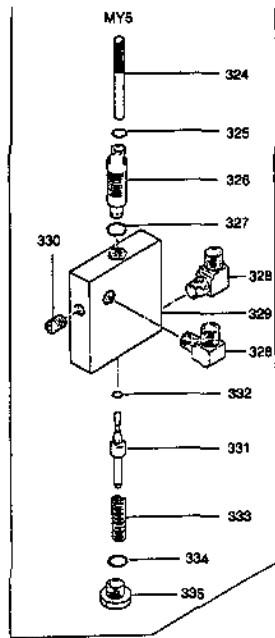
No.	Description	Part No.	Qty.				No.	Description	Part No.	Qty.			
			FP9	FP9X	FP9G	FP9XG				FP9	FP9X	FP9G	FP9XG
KII	Hydraulic Unit Assy (3 Phase) (214-283,365,MY5)	00212510	1		1		245	Flexible Bushing	80821618		1		1
KIV	Hydraulic Unit Assy (1 Phase) (214-274,365,MY5)	00212530	1		1		246	Control Panel Cover	10522830		1		1
ZE16I	Wiring Set (3 Phase) (261, 227,275- 283,365)	50616101	1		1		247	Cotter Pin	90972516		3		3
ZE16II	Wiring Set (1 Phase) (261,365)	50616111	1		1		248	Control Boss	00200440		1		1
PY4	Handle Set (255-258)	00071341	1		1		249	Control Rod	00070132		1		1
MY5	Valve Assy (324-335)	00052612	1		1		250	Hex Nut	90930308		2		2
214	Oil Tank Pair	00212550	1		1		251	Plane Washer	90930708		1		1
215	Gasket	50562203	1		1		252	Cum Pin	10134971		2		2
216	Tank Side Cover	10162203	1		1		253	Switch Plunger	50562721		1		1
217	Plain Washer	90930505	8		8		254	Switch Pin	10162722		1		1
218	Round Head Small Screw	90940512	8		8		255	Handle	00070161		1		1
219	Limiter Bar	10501070	1		1		256	Cotter Pin	90973020		2		2
220	High Pressure Hose	50802110	1		1		257	Chain	00070176		1		1
221	Adaptor	80813050	1		1		258	Handle Pin	10210891		1		1
222	Spring Washer	90930508	17		17		259	Flat Head Small Screw	90940430		2		2
223	Hex Bolt	90910812	5		5		260	Handle Shaft	10210862		1		1
224	Flexible Bushing	80821616	1		1		261	Micro Switch	80820729		1		1
225	Check Valve	80814016	1		1		262	Pin	50501681		1		1
226	Bushing	80814423	4		4		263	Valve Spacer	10210711		1		1
227	90° Elbow	80813910	7		7		264	Hex Nut	90930108		1		1
228	Nut	80813610	10		10		265	Valve Adjuster	10162551		1		1
229	Sleeve	80814710	10		10		266	Cum Pin Collar	10210731		1		1
230	High Pressure Pipe C	10215031	1		1		267	Safety Spring	50612611		1		1
231	Round Head Small Screw	90940608	6		6		268	Hex Bolt	90911220		1		1
232	Spring Washer	90930506	6		6		269	O Ring	80800250		1		1
233	Plain Washer	90930706	9		9		270	Returning Pipe	10210701		1		1
234	Clamp	80821547	1		1		271	Steel Ball	80843031		1		1
235	Flat Head Small Screw	90940512	9		9		272	Hex Nut	90930108		1		1
236	Plain Washer	90930705	1		1		273	Hex Bolt	90910820		3		3
237	High Pressure Pipe B	10501080	1		1		<b>(For 3 Phase)</b>						
238	Adaptor	80814503	1		1		275	Flat Head Small Screw	90940410		4		4
239	High Pressure Pipe Joint	10215061	1		1		276	Spring Washer	90930504		4		4
240	90° Elbow	80813917	1		1		277	Plain Washer	90930704		2		2
241	Cylinder High Pressure Pipe	10522810	1		1		278	Transformer	80820810		1		1
242	Bushing	80814423	4		4		279	Transformer Bracket	10167211		1		1
243	Change Valve	50615071	1		1		280	Terminal Box	80821410		1		1
244	High Pressure Hose C	50802290	1		1		281	Flat Head Small Screw	90940430		2		2
							282	Flat Head Small Screw	90940410		2		2
							283	Spring Washer	90930504		2		2
							365	Magnet Switch	80820641		1		1

FP-9, FP-9X ,FP-9G, FP-9GX.max



**PANZITTA SALES & SERVICE**

72 George Avenue  
 Wilkes-Barre, PA 18705  
 570-822-6720 800-822-6720  
 www.panzittasales.com



No.	Description	Part No.	Qty.			
			FP9	FP9X	FP9G	FP9XG
MY5	Valve Assy (324-335)	00052612	1	1	1	1
286I	Motor Cover Pair (3 Phase)	00210750	1	1	1	1
286II	Motor Cover Pair (1 Phase)	00200480	1	1	1	1
287I	Upright Motor (3 Phase)	80820243	1	1	1	1
287II	Upright Motor (1 Phase)	80820063	1	1	1	1
288	Coupling B	10162342	1	1	1	1
289	Hex Socket Head Screw	90960610	1	1	1	1
290	Cushion Rubber	50562331	1	1	1	1
291	Hex Nut	90930108	1	1	1	1
292	Spring Washer	90930508	9	9	9	9
293	Coupling A	10162331	1	1	1	1
294	Over Flow Hose	10501110	1	1	1	1
295	Hose Band	80825023	1	1	1	1
296	Air Hose Adaptor	50612801	1	1	1	1
297I	Motor Pump Bracket (3 Phase)	00201100	1	1	1	1
297II	Motor Pump Bracket (1 Phase)	00071722	1	1	1	1
298	Oil Tank Packing	50562301	1	1	1	1
299	Gear Pump	80818131	1	1	1	1
300	O Ring	80800250	3	3	3	3
301	Relief Coupler	10162442	1	1	1	1
302	Pump Joint	10210641	1	1	1	1
303	90° Elbow	80813910	1	1	1	1
304	Relief Valve	00200490	1	1	1	1
305	Nut	80813610	2	2	2	2
306	Sleeve	80814710	2	2	2	2
307I	High Pressure Pipe D (3 Phase)	10501300	1	1	1	1
307II	High Pressure Pipe D (1 Phase)	10216512	1	1	1	1
308	Connector	80614910	1	1	1	1
309	Spring Washer	90930506	11	11	11	11
310	Hex Socket Head Bolt	90920645	4	4	4	4
311	Hex Nut	90930108	4	4	4	4
312	Suction Filter	80818937	1	1	1	1
313	Male & Female Elbow	80810704	1	1	1	1

No.	Description	Part No.	Qty.			
			FP9	FP9X	FP9G	FP9XG
314I	Suction Pipe (3 Phase)	10162382	1	1	1	1
314II	Suction Pipe (1 Phase)	10172383	1	1	1	1
315	GPI Joint	80816450	1	1	1	1
316	Hex Socket Head Bolt	90920620	3	3	3	3
317	Hex Nut	90930110	4	4	4	4
318I	Spring Washer (3 Phase)	90930510	4	4	4	4
318II	Spring Washer (1 Phase)	90930512	4	4	4	4
319I	Hex Bolt (3 Phase)	90911030	4	4	4	4
319II	Hex Bolt (1 Phase)	90911230	4	4	4	4
320	Hex Bolt	90910630	4	4	4	4
321	Motor Cover Stay	10162171	4	4	4	4
322	Hex Bolt	90910820	8	8	8	8
323	Flat Head Small Screw	90940606	4	4	4	4
324	Valve Rod	10162531	1	1	1	1
325	O Ring	80800068	1	1	1	1
326	Valve Housing	10162521	1	1	1	1
327	O Ring	80800017	1	1	1	1
328	90° Elbow	80813910	2	2	2	2
329	Valve Body	10162501	1	1	1	1
330	Hex Socket Head Plug	80850001	1	1	1	1
331	Valve Plunger	10162511	1	1	1	1
332	O Ring	80800220	1	1	1	1
333	Spring Spring	50581761	1	1	1	1
334	O Ring	80800016	1	1	1	1
335	Valve Socket	10162542	1	1	1	1
366	Plain Washer	90930706	4	4	4	4

