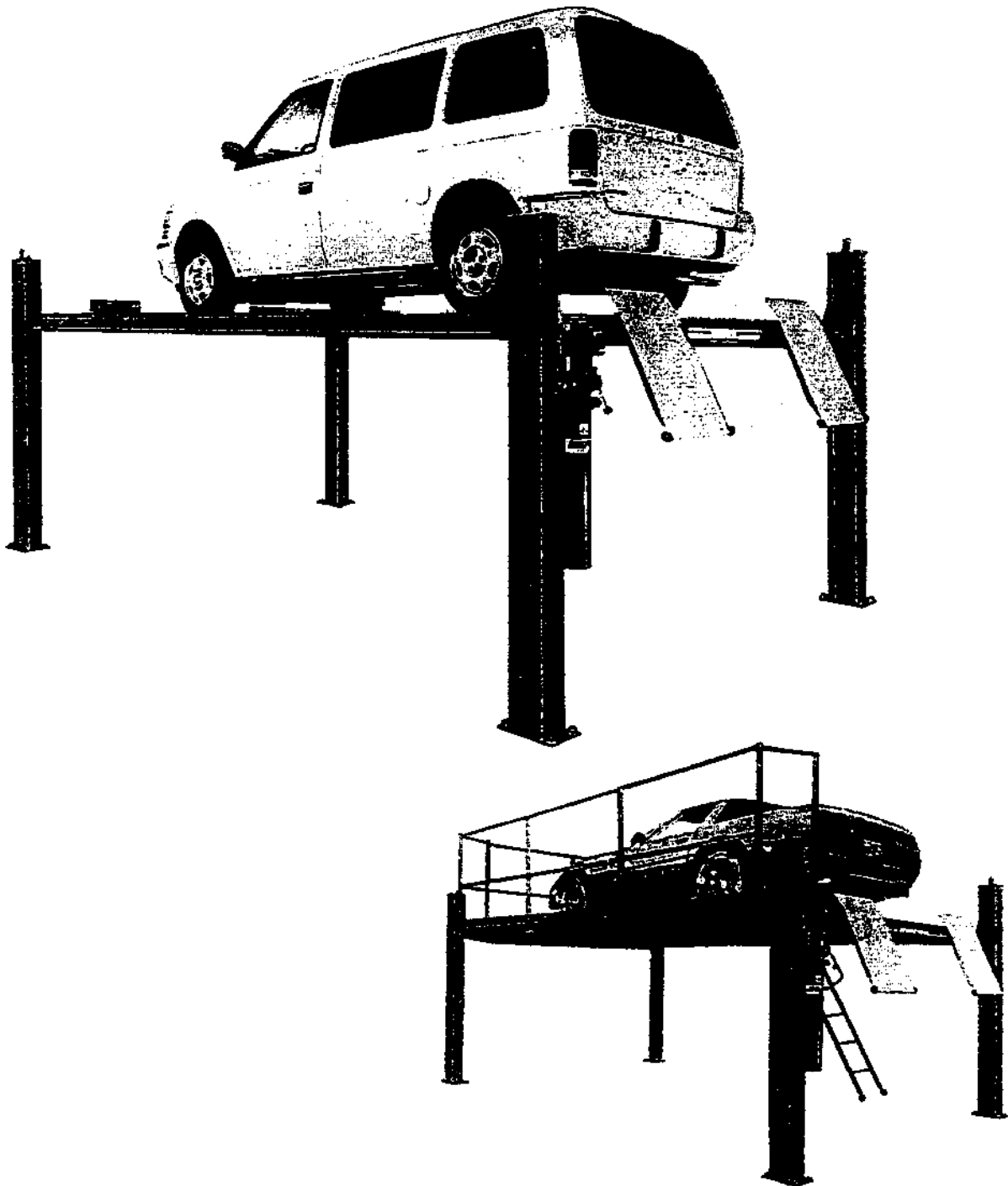
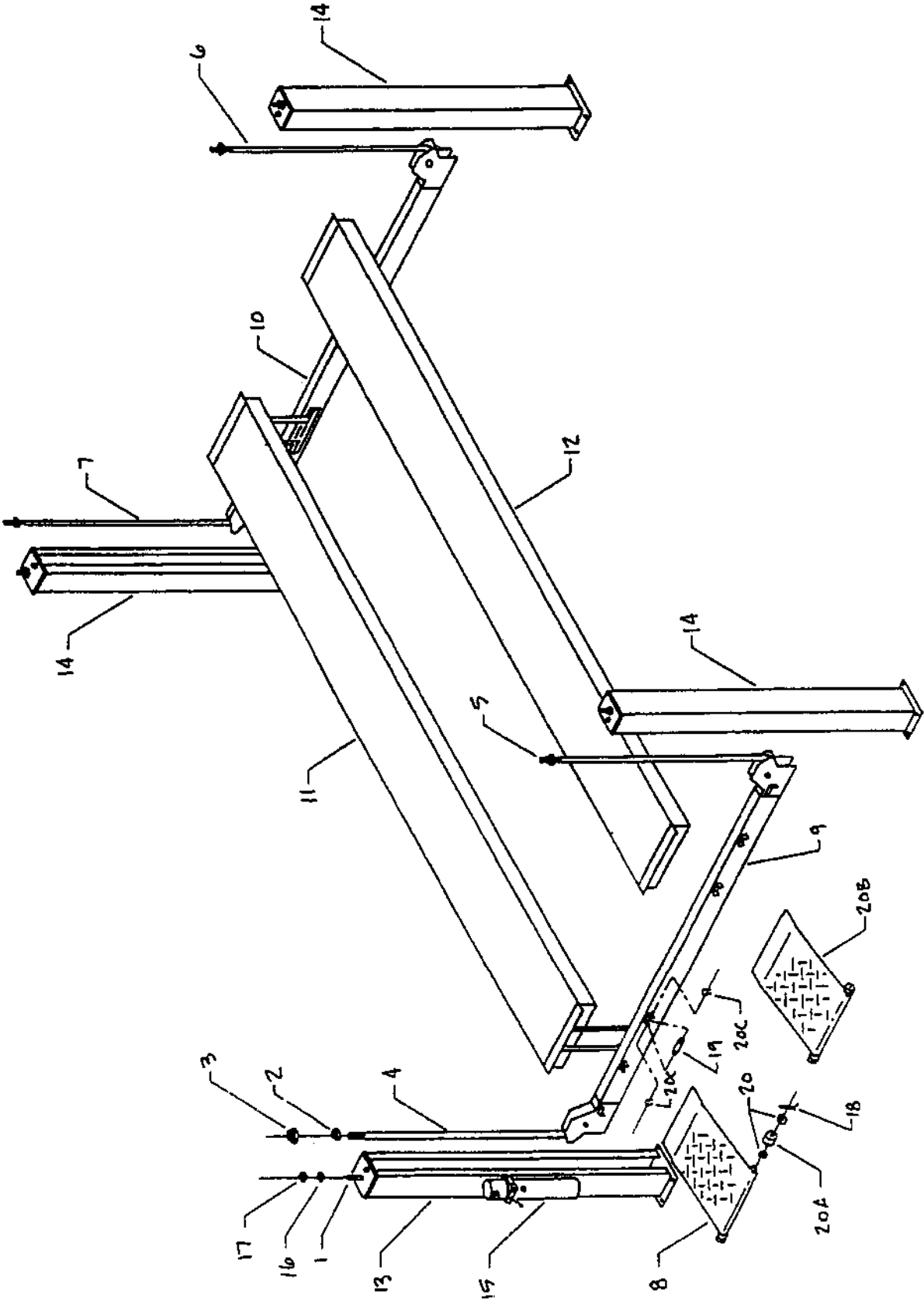




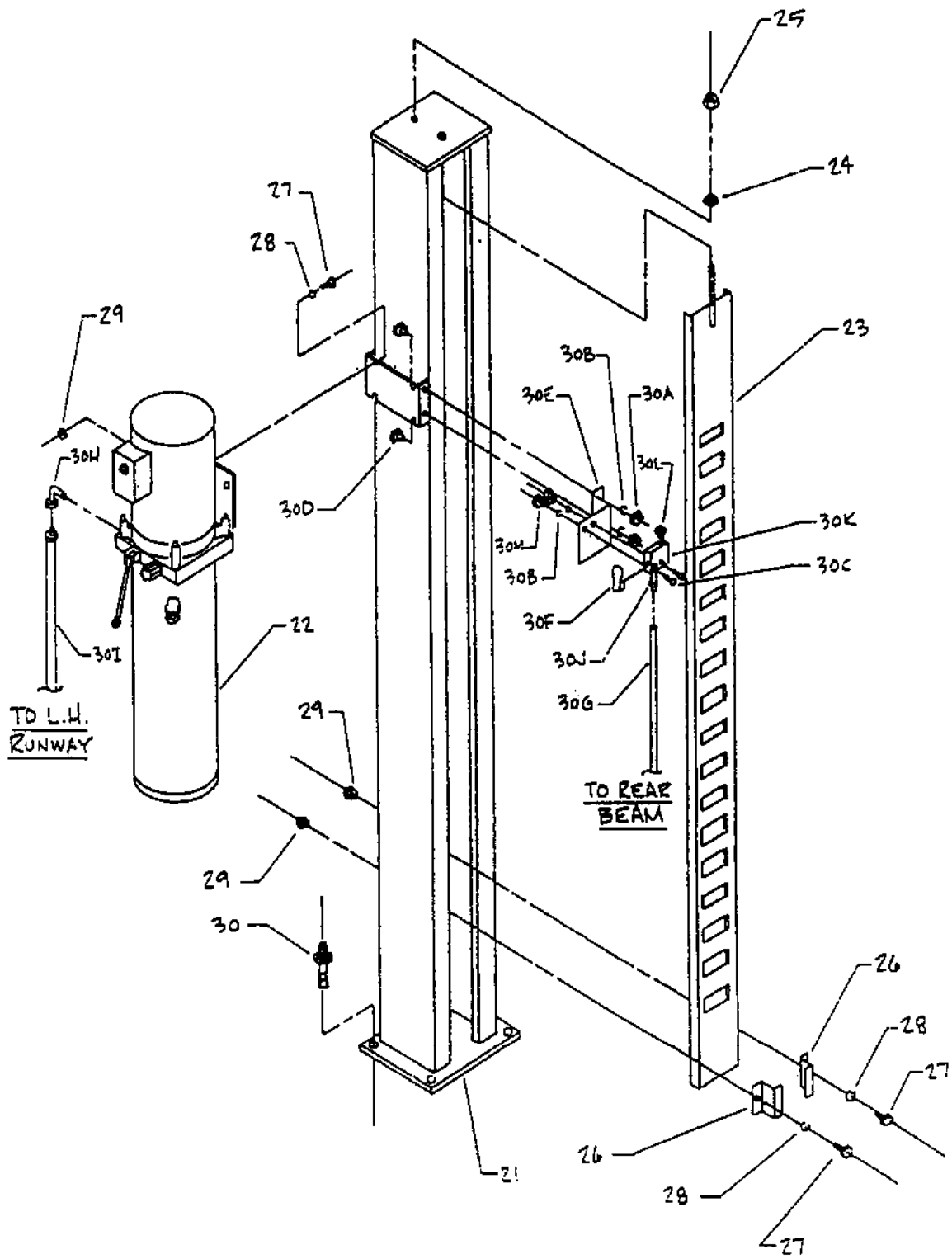
OPERATION & SERVICE & PARTS
INSTRUCTIONS
MODELS FP-12G & FP-12LR





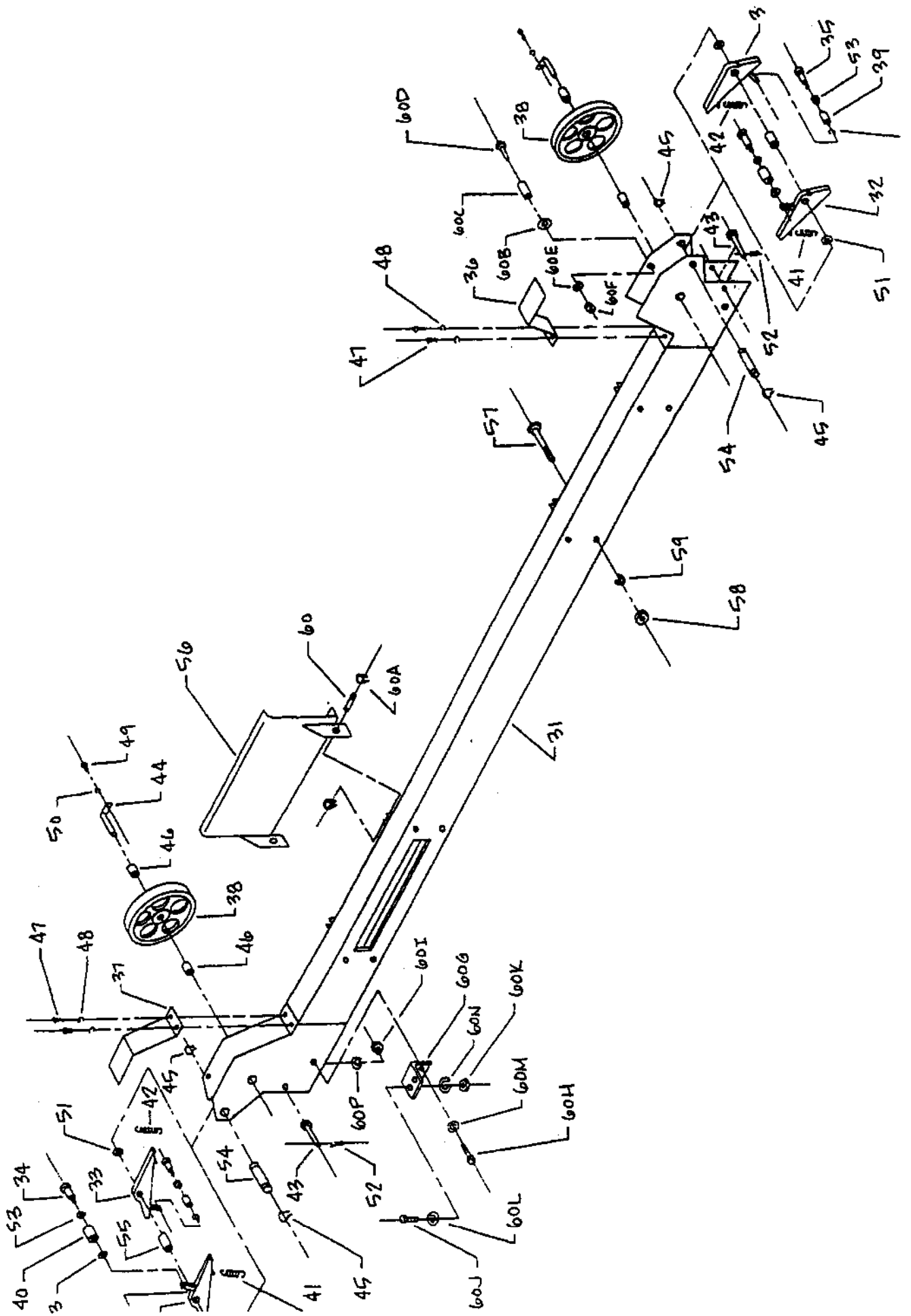
POWER COLUMN ASSEMBLY

NO.	PART NO.	PART NAME	QTY
21	500140	COLUMN ASSEMBLY-POWER	1
22	101087	ELEC-HYDRAULIC PUMP (1 PHASE)	1
	101068	ELEC-HYDRAULIC PUMP (3 PHASE)	1
23	500047	BAR ASSEMBLY-ADJ. LOCK	1
24	5/8-11	JAM NUT	1
25	5/8-11	HEX NUT	1
26	500139	GUIDE-LOCK BAR	2
27	5/16-18 X 3/4	HEX BOLT	6
28	5/16	SPLIT LOCK WASHER	6
29	5/16-18	HEX NUT	6
30	500388	ANCHOR BOLT	4
30A	10-24	HEX NUT	2
30B	3/16	LOCK WASHER - SPLIT	4
30C	10-32 X 1	SCREW PAN HEAD (PHIL)	2
30D	10-24 X 1/2	SCREW - PAN HEAD (PHIL)	2
30E	500198	BRKT - AIR VALVE	1
30F	500374	FINGER TIP OPERATOR	1
30G	500399-9	RUBBER AIR HOSE 72"	1
30H	500393	ST. THD. ELBOW	1
30I	500063	HYD. HOSE 88"	1
30J	500392	HOSE FIT'G-BARB TO 1/8 NPT	1
30K	500373	VALVE -AIR	1
30L	500376	BREATHER MUFFLER	1
30M	10-32	HEX HEAD NUT	2



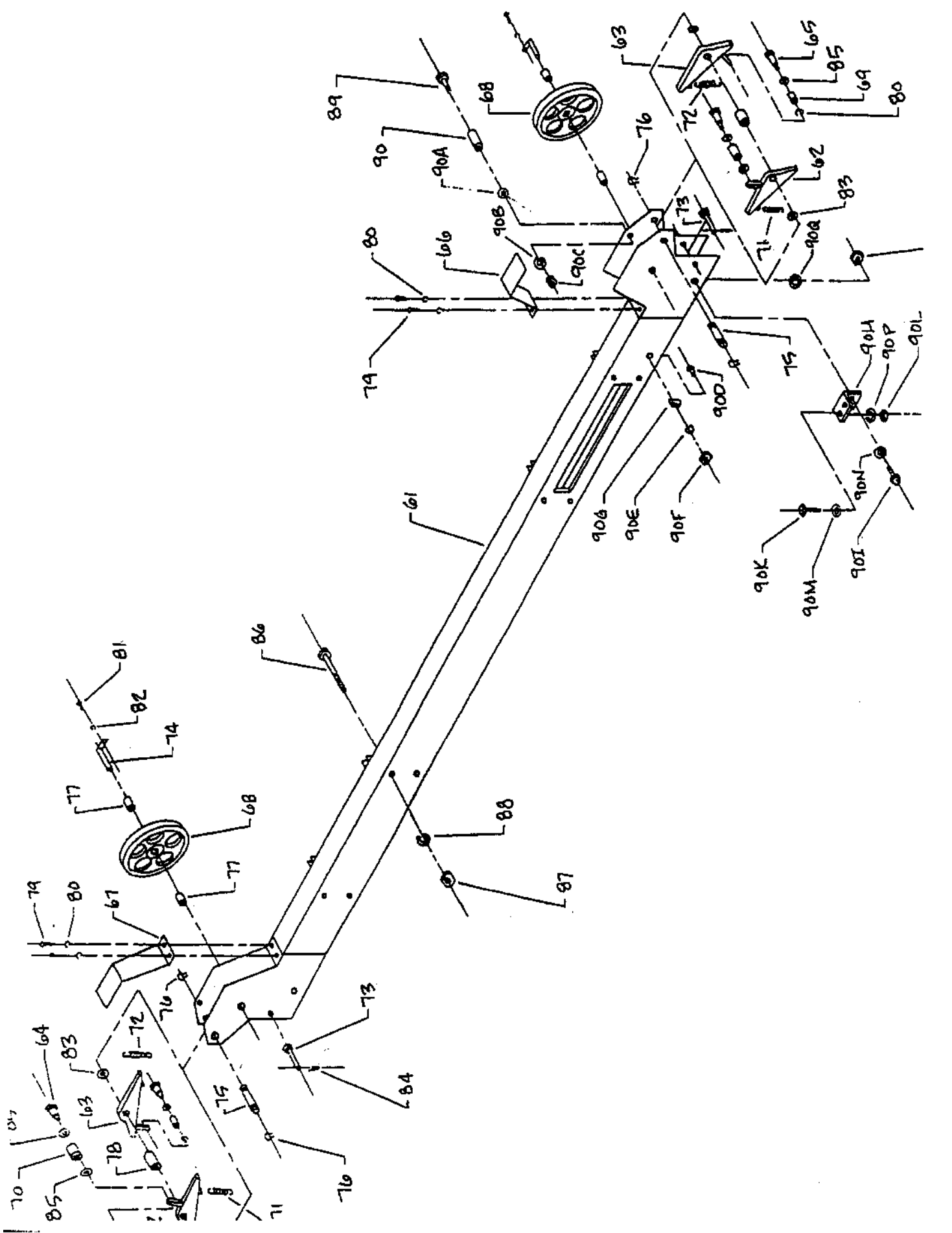
FORWARD BEAM ASSEMBLY

NO.	PART NO.	PART NAME	QTY
31	500038	FORWARD BEAM ASSEMBLY	1
32	500674	LOCK-LOOSE CABLE	2
33	500675	LOCK-RATCHET	2
34	3/8 DIA X 1 1/4 LONG	SHOULDER BOLT (5/16-18 X 1/2)	2
35	500768	SCREW-RATCHET	2
36	500196	COVER-SHEAVE (LH)	1
37	500195	COVER-SHEAVE (RH)	1
38	500333	SHEAVE	2
39	500384	SPACER-LOCK ROD	2
40	500066	ROLLER-NYLON	2
41	500156	SPRING-CABLE SAFETY	2
42	500155	SPRING-LOCK	2
43	3/8 X 3 3/4	CLEVIS PIN	2
44	500177	AXLE ASSEMBLY-SHEAVE	2
45	300218-2	EXT RETAINING RING	4
46	500161-2	SPACER-SHEAVE AXLE	4
47	5/16-18 X 1/2	HEX HEAD BOLT	4
48	5/16	SPLIT LOCK WASHER	6
49	1/4-20 X 1/2	HEX HEAD BOLT	2
50	1/4	SPLIT LOCK WASHER	2
51	500383	STEEL MACHINE BUSHING	4
52	1/8 X 3/4	COTTER PIN	2
53	3/8	FLAT WASHER	6
54	500061	AXLE-LOCK	2
55	500184	SPACER-LOCK	2
56	500172	FRONT CHOCK	2
57	3/8-16 X 4	HEX HEAD BOLT (FP-12G)	8
	3/8-16 X 4 1/2	HEX HEAD BOLT (FP-12LR)	8
58	3/8-16	HEX HEAD NUT	8
59	3/8	SPLIT LOCK WASHER	8
60	500176-1	PIN 3/4" DIA X 3"	4
60A	300218-14	EXT. RETAINING RING	8
60B	500024	WASHER-NYLON	2
60C	500025	SPACER	2
60D	7/16-14 X 1 3/4	HEX HEAD BOLT	2
60E	7/16	SPLIT LOCK WASHER	2
60F	7/16-14	HEX HEAD NUT	2
60G	500370	ANGLE-WALKWAY SUPPORT (FP-12LR)	2
60H	1/2-13 X 1 1/2	HEX HEAD BOLT (FP-12LR)	2
60I	1/2-13	HEX HEAD NUT (FP-12LR)	2
60J	7/16-14 X 1 1/2	HEX HEAD BOLT (FP-12LR)	4
60K	7/16-14	HEX HEAD NUT (FP-12LR)	4
60L	7/16	FLAT WASHER-SAE (FP-12LR)	4
60M	1/2	FLAT WASHER-SAE (FP-12LR)	2
60N	7/16	SPLIT LOCK WASHER (FP-12LR)	4
60P	1/2	SPLIT LOCK WASHER (FP-12LR)	2



REAR BEAM ASSEMBLY

NO.	PART NO.	PART NAME	QTY
61	500039	REAR BEAM ASSEMBLY	1
62	500674	LOCK-LOOSE CABLE	2
63	500675	LOCK-RATCHET	2
64	3/8 DIA X 1 1/4 LONG	SHOULDER BOLT (5/16-18 X 1/2)	2
65	500768	SCREW-RATCHET	2
66	500196	COVER-SHEAVE (LH)	1
67	500195	COVER-SHEAVE (RH)	1
68	500333	SHEAVE	2
69	500384	SPACER-LOCK ROD	2
70	500066	ROLLER-NYLON	2
71	500156	SPRING-CABLE SAFETY	2
72	500155	SPRING-LOCK	2
73	3/8 X 3 3/4	CLEVIS PIN	2
74	500177	AXLE ASSEMBLY-SHEAVE	2
75	500061	AXLE-LOCK	2
76	300218-2	SNAP RING	4
77	500161-2	SPACER-SHEAVE AXLE	4
78	500184	SPACER-LOCK	2
79	5/16-18 X 1/2	HEX HEAD BOLT	4
80	5/16	SPLIT LOCKWASHER	6
81	1/4-20 X 1/2	HEX HEAD BOLT	2
82	1/4	SPLIT LOCKWASHER	2
83	500383	STEEL MACHINE BUSHING	4
84	1/8 X 3/4	COTTER PIN	2
85	3/8	FLAT WASHER	6
86	3/8-16 X 4	HEX HEAD BOLT (FP-12G)	8
	3/8-16 X 4 1/2	HEX HEAD BOLT (FP-12LR)	8
87	3/8-16	HEX HEAD NUT	8
88	3/8	SPLIT LOCK WASHER	8
89	7/16-14 X 1 3/4	HEX HEAD BOLT	2
90	500025	SPACER	2
90A	500024	WASHER-NYLON	2
90B	7/16	SPLIT LOCK WASHER	2
90C	7/16-14	HEX HEAD NUT	2
90D	10-32 X 1	HEX HEAD BOLT	1
90E	3/16	SPLIT LOCK WASHER	1
90F	10-32	HEX HEAD NUT	1
90G	300947	HOSE CLAMP	1
90H	500370	ANGLE-WALKWAY SUPPORT (FP-12LR)	1
90I	1/2-13 X 1 1/2	HEX HEAD BOLT (FP-12LR)	1
90J	1/2-13	HEX HEAD NUT (FP-12LR)	1
90K	7/16-14 X 1 1/2	HEX HEAD BOLT (FP-12LR)	2
90L	7/16-14	HEX HEAD NUT (FP-12LR)	2
90M	7/16	FLAT WASHER-SAE (FP-12LR)	2
90N	1/2	FLAT WASHER-SAE (FP-12LR)	1
90P	7/16	SPLIT LOCK WASHER (FP-12LR)	2
90Q	1/2	SPLIT LOCK WASHER (FP-12LR)	1

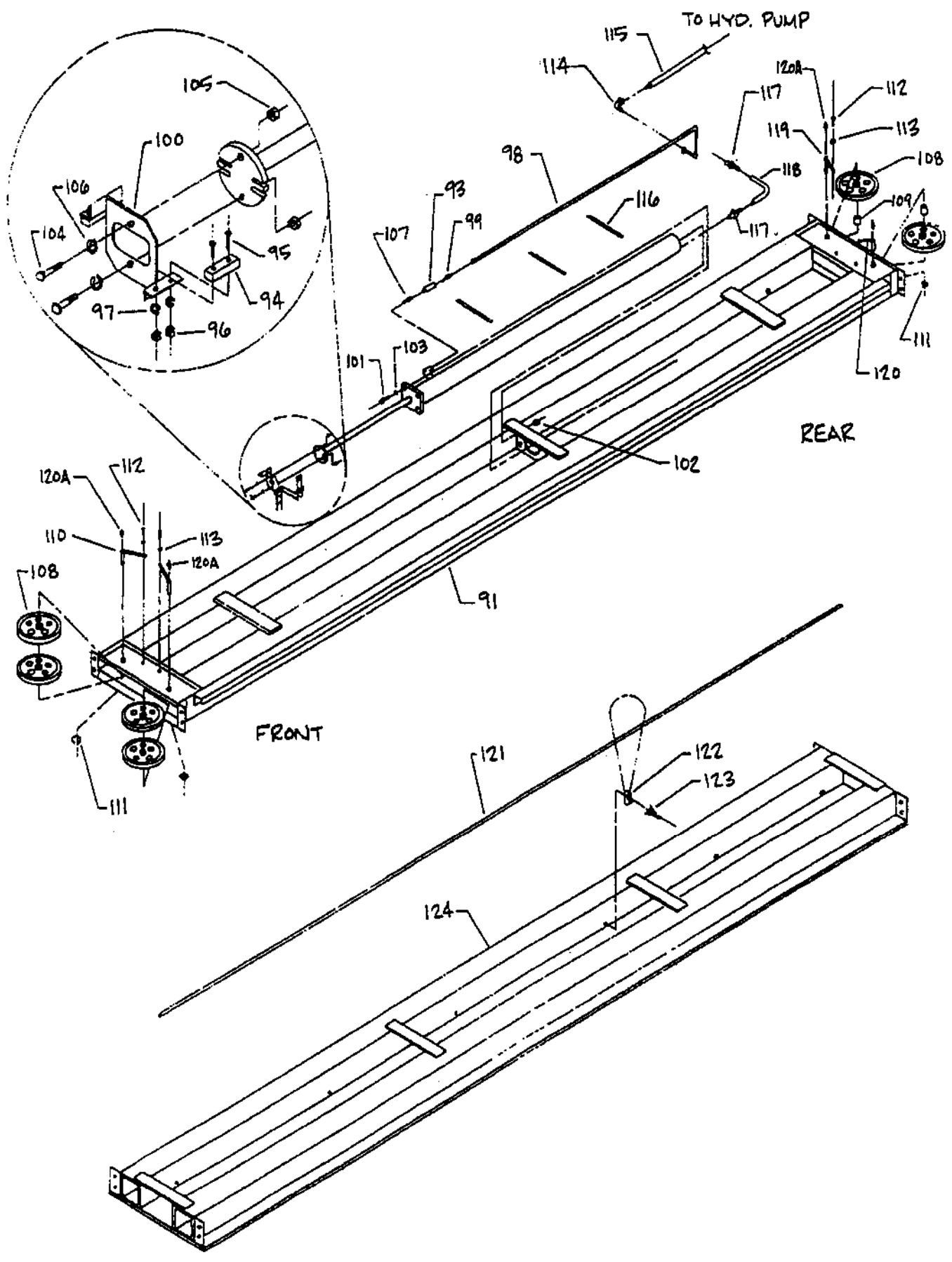


RUNWAY FINAL ASSY. L.H.

NO.	PART NO.	PART NAME	QTY
91	500020	RUNWAY ASSEMBLY	1
92	500214	HYDRAULIC CYLINDER	1
93	500354	FLOW CONTROL	1
94	500191	PLASTIC SLIDE	2
95	10-24 X 3/4	PHIL FLAT HEAD MACHINE SCREW	4
96	10-24	HEX HEAD NUT	4
97	3/16	SPLIT LOCK WASHER	4
98	500055	HYDRAULIC LINE	1
99	500390	MALE CONNECTOR FLARELESS TO MALE	1
100	500193	PLATE ASSEMBLY-CYL NON ROTATE	1
101	3/8-16 X 1-3/4	HEX HEAD BOLT	4
102	3/8-16	HEX NUT	4
103	3/8	SPLIT LOCK WASHER	4
104	5/16-18 X 1 -3/4	HEX HEAD BOLT	2
105	5/16-18	HEX NUT	2
106	5/16	SPLIT LOCK WASHER	2
107	500389	PIPE NIPPLE	1
108	500333	SHEAVE	6
109	500161-2	SPACER	2
110	500942	AXLE-SHEAVE	2
111	300218-3	SNAP RING	4
112	1/4-20 X 1/2	HEX HEAD BOLT	4
113	1/4	SPLIT LOCK WASHER	4
114	500391	ELBOW 90 DEGREE	1
115	500063	HYD. HOSE 88"	1
116	8 IN.	CABLE TIES	3
117	500928	MALE PIPE	2
118	500399-17	RUBBER HOSE	1
119	500941	AXLE-SHEAVE	1
120	500943	AXLE-SHEAVE	1
120A	1102K11	GREASE FITTING	4

RUNWAY FINAL ASSY. R.H.

NO.	PART NUMBER	PART NAME	QTY
121	500415-5	TUBE-POLYETHYLENE	1
122	500402	CLAMP CABLE (NYLON)	6
123	500401	PUSH RIVET	6
124	500023	RUNWAY ASSEMBLY	1



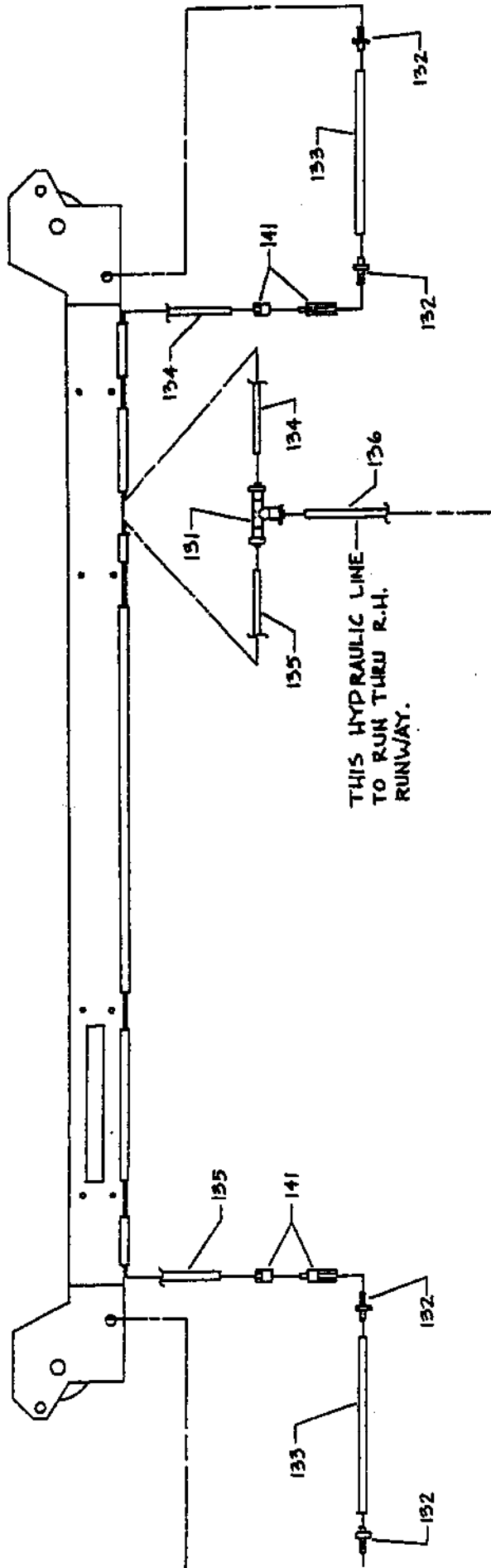
FORWARD BEAM LINE ASSEMBLY

NO	PART NUMBER	PART NAME	QTY
131	500412	UNION TEE	1
132	500392	HOSE FITTING-BARB TO 1/8 NPT	4
133	500399-7	HOSE-RUBBER	2
134	500415-1	TUBE-POLYETHYLENE	1
135	500415-3	TUBE-POLYETHYLENE	1
136	500415-5	TUBE-POLYETHYLENE	1
137	500376	BREATHER MUFFLER	2
138	1/4-28	NYLON INSERT LOCK NUT	2
139	500068	CYLINDER-LOCK RELEASE	2
140	500086	ROD-LOCK LINKAGE	2
141	500411	FEMALE CONNECTOR	2

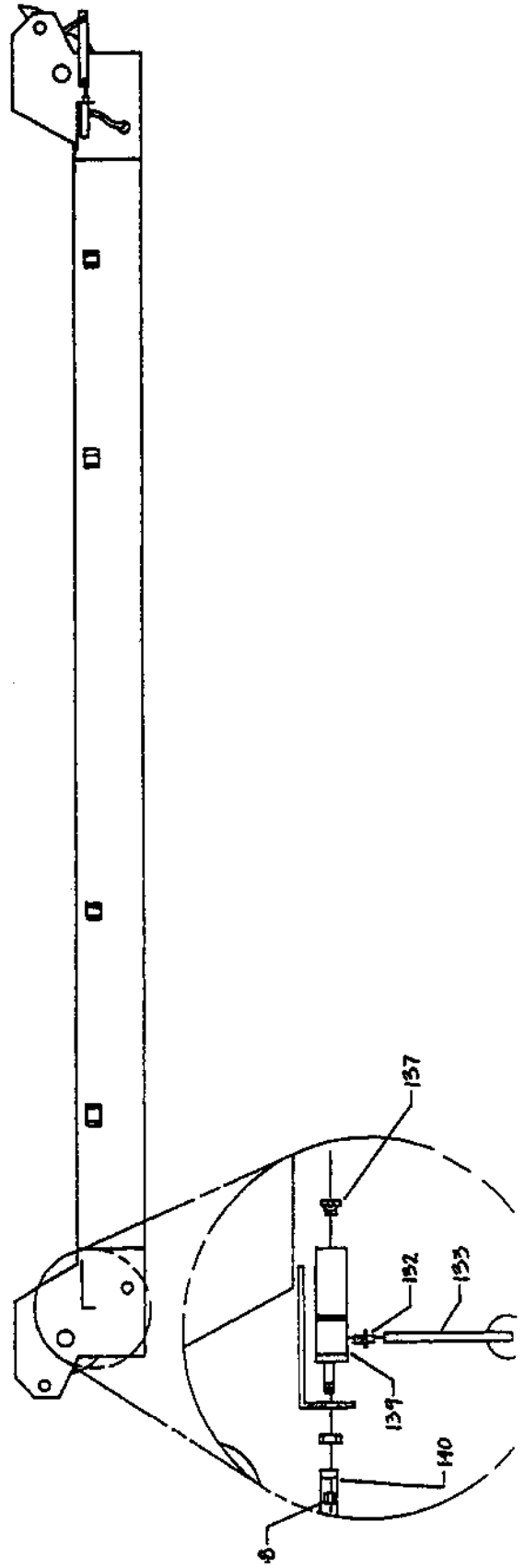
REAR BEAM LINE ASSEMBLY

NO	PART NUMBER	PART NAME	QTY
151	500412	UNION TEE	1
152	500415-3	TUBE-POLYETHYLENE	1
153	500415-1	TUBE-POLYETHYLENE	1
154	500399-7	HOSE RUBBER	1
155	500399-5	HOSE-RUBBER	1
155	500399-3	HOSE-RUBBER	1
157	500399-1	HOSE-RUBBER	1
158	500392	HOSE FITTING-BARB TO 1/8 NPT	5
159	500414	UNION TEE-BARB	1
160	500376	BREATHER MUFFLER	2
161	500068	CYLINDER-LOCK RELEASE	2
162	500086	ROD-LOCK LINKAGE	2
163	1/4-28	NYLON INSERT LOCK NUT	2
164	500411	FEMALE CONNECTOR 1/4 TO 1/8 PIPE	2
165	500413	BARB TO MALE PIPE	1
166	500417	COUPLING-ANCHOR	1
167	500415-5	TUBE-POLYETHYLENE	1
168	500399-9	RUBBER AIR HOSE 72"	1
169	500416	CLAMP-HOSE 3/8 WORM DRIVE	1

FORWARD BEAM
FRONT VIEW



FORWARD BEAM
REAR VIEW



LUBE RACK

NO.	PART NO.	PART NAME	QTY
200	500020	L.H. RUNWAY ASSEMBLY	REF
201	500023	R.H. RUNWAY ASSEMBLY	REF
202	500038	FORWARD BEAM ASSEMBLY	REF
203	500039	REAR BEAM ASSEMBLY	REF
204	500112	L.H. WALKWAY ASSEMBLY	1
205	500114	R.H. WALKWAY ASSEMBLY	1
206	500117	CENTER WALKWAY ASSEMBLY	1
207	500154	LADDER ASSEMBLY	1
208	500146-1	FORWARD GATE ASSEMBLY	1
209	500146-3	FORWARD GATE ASSEMBLY	1
210	500138	REAR GATE ASSEMBLY	1
211	500130	REAR GATE POST ASSEMBLY	1
212	500216	GATE LOCK CLASP	1
213	500183	L.H. REAR POST ASSEMBLY	1
214	500123	R.H. END POST ASSEMBLY	2
215	500121	CENTER POST ASSEMBLY	3
216	500122	L.H. END POST ASSEMBLY	1
217	500132-1	FORWARD GATE POST ASSEMBLY	1
218	500132-2	FORWARD GATE POST ASSEMBLY	1
219	500133-7	FENCE RAIL TUBE (60 5/8")	3
220	500133-9	FENCE RAIL TUBE (59 3/8")	3
221	500133-17	FENCE RAIL TUBE (15 1/16")	3
222	500133-11	FENCE RAIL TUBE (49 1/8")	2
223	500133-13	FENCE RAIL TUBE (99 7/8")	1
224	500237	L.H. TOE RAIL ASSEMBLY	2
225	500238	R.H. TOE RAIL ASSEMBLY	1
226	500423	DOOR SPRING	1
227	500217-3	TOE RAIL	2
228	500217-5	TOE RAIL	3
229	500428	WHEEL	2
230	500360	PLASTIC CAP	17
231	500124-1	WALKWAY SUPPORT ANGLE	1
232	500124-2	WALKWAY SUPPORT ANGLE	1
233	500370	WALKWAY SUPPORT ANGLE	3
234	1/2"	SAE FLAT WASHER	7
235	3/8-16 X 2 1/2"	HEX HEAD BOLT	7
236	3/8-16 X 1"	HEX HEAD BOLT	30
237	3/8-16 X 3/4"	HEX HEAD BOLT	6
238	3/8-16	HEX HEAD NUT	37
239	3/8"	SAE FLAT WASHER	25
240	3/8"	SPLIT LOCK WASHER	50
241	5/16-18 X 2"	HEX HEAD BOLT	6
242	5/16-18 X 3/4"	HEX HEAD BOLT	23
243	5/16-18	HEX HEAD NUT	26
244	5/16	SPLIT LOCK WASHER	29
245	7/16-14 X 1 1/2"	HEX HEAD BOLT	6
246	7/16-14	HEX HEAD NUT	6
247	7/16	SPLIT LOCK WASHER	6
248	1/2-13 X 1 1/2"	HEX HEAD BOLT	3
249	1/2-13	HEX HEAD NUT	3
250	1/2	SPLIT LOCK WASHER	3
251	1/8" X 3/4	COTTER PIN	10
252	7/16	SAE FLAT WASHER	18

