

PANZITTA SALES & SERVICE  
72 George Avenue  
Wilkes-Barre, PA 18705  
570-822-6720 800-822-6720  
[www.panzittasales.com](http://www.panzittasales.com)

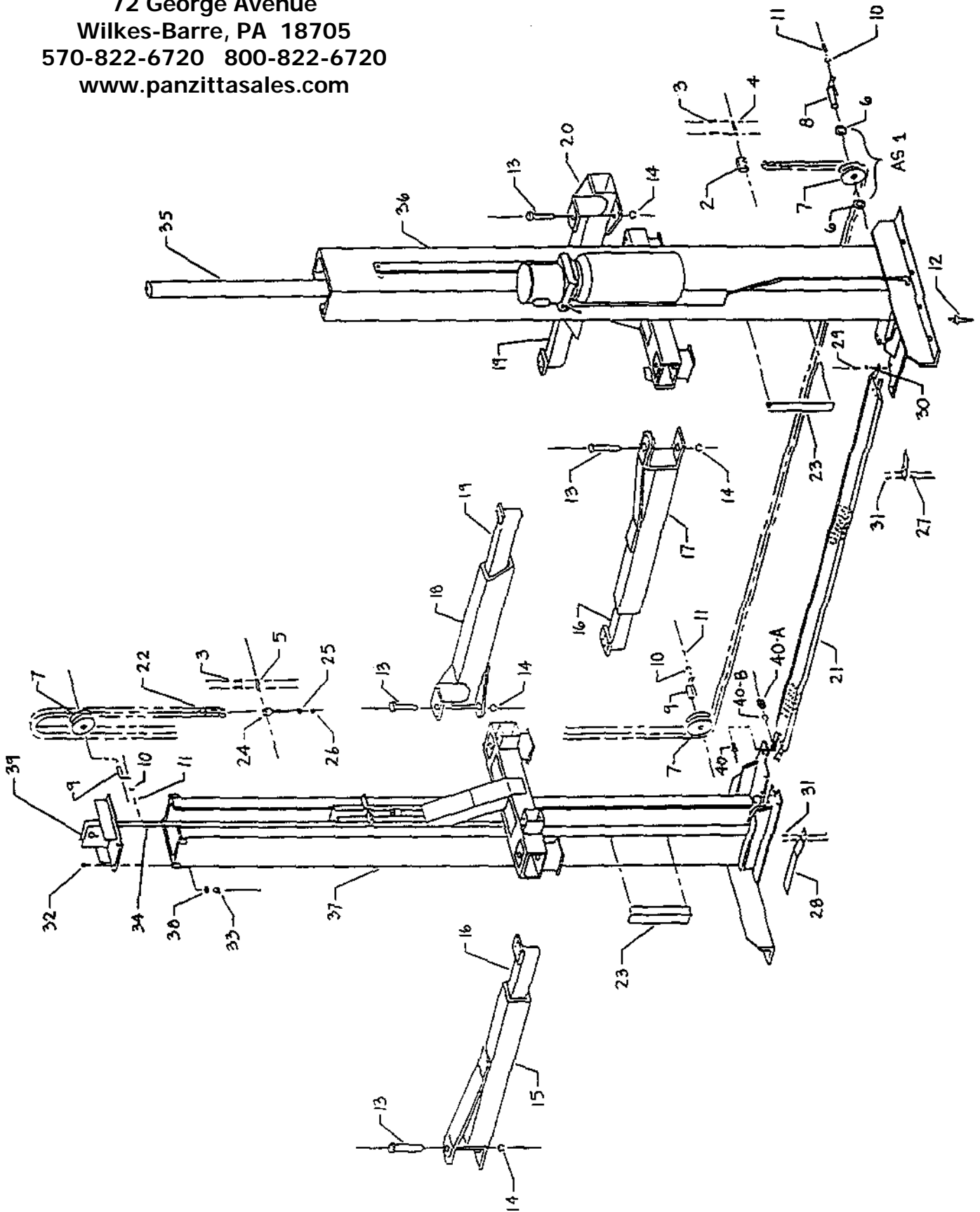
**BW-9/9L & BWO-9/9L/9H  
PARTS BREAKDOWN**

BW-9,-9L & BWO-9,-9L,-9H.max

**BW-9 ASSEMBLY**

NO	PART NUMBER	PART NAME	BW-9/9L QTY
AS1		CHAIN WHEEL ASSEMBLY	1
2	300554	ANCHOR-CHAIN	1
3	1/8 X 7/8	COTTER PIN	4
4	300346	PIN,CHAIN ANCHOR	1
5	300555	PIN CLEVIS	1
6	300562	SPACER-SHEAVE	2
7	300468	SHEAVE	3
8	300561	SHAFT ASSY-DRIVE SIDE	1
9	300559	SHAFT ASSY-DRIVEN SIDE	2
10	1/4	SPLIT LOCK WASHER	3
11	1/4-20X3/8	HEX BOLT	3
12	500388	ANCHOR BOLT ASSY	12
13	300238	PIN-ARM FRONT & REAR	4
14	300218-4	SNAP RING	4
15	300418-1	ARM WELD-REAR (LH)	1
16	300426	ARM WELD EXT-REAR	2
17	300418-2	ARM WELD-REAR (RH)	1
18	300444-1	ARM WELD-ASYM FRONT (LH)	1
19	300428	ARM WELD EXT-FRONT	2
20	300444-2	ARM WELD-ASYM FRONT (RH)	1
21	300249-5	FLOOR PLATE	1
22	300469-1	LEAF CHAIN-447 LINKS	1
23	300568	BUMPER-DOOR	2
24	300553	CLEVIS-CHAIN	1
25	5/8-18	HEX NUT	1
26	5/8-18	HEX JAM NUT	1
27	300408	CHAIN COVER-DRIVE SIDE	1
28	300409-3	CHAIN COVER-DRIVEN SIDE	1
29	3/8-16X3/4	HEX BOLT	8
30	3/8	SPLIT LOCK WASHER	12
31	10-32X1/2	PHIL HEAD SELF THREAD SCREW TYPE "F"	4
32	1/2-13X2 1/2	HEX BOLT	4
33	1/2-13	HEX NUT	4
34	300300	ROD ASSY-RESTRAINT	1
35	300304	HYDRAULIC CYLINDER (USE PN 300677 BW/9L)	1
36	300497	COLUMN-DRIVE SIDE	1
37	300498	COLUMN-DRIVEN SIDE	1
38	1/2	SPLIT LOCK WASHER	4
39	300504	UPPER SHEAVE BRACKET	1
40	3/8-16X1	HEX HEAD BOLT	4
40-A	3/8-16	HEX HEAD NUT	4
40-B	3/8	SPRING LOCK WASHER	4

PANZITTA SALES & SERVICE  
72 George Avenue  
Wilkes-Barre, PA 18705  
570-822-6720 800-822-6720  
www.panzittasales.com



**PANZITTA SALES & SERVICE**  
 72 George Avenue  
 Wilkes-Barre, PA 18705  
 570-822-6720 800-822-6720  
 www.panzittasales.com

### DRIVE COLUMN ASSEMBLY

<b>NO</b>	<b>PART NUMBER</b>	<b>PART NAME</b>	<b>BW-9/9L QTY</b>
41	300497	COLUMN-DRIVE SIDE	1
42	300304	HYDRAULIC CYLINDER (USE PN 300677 BWO-9L)	1
43	300539	COVER-LOCK	1
44	300596	CHANNEL-LOCK RELEASE	1
45	3/16X7/16	ROLL PIN	3
46	300319	ROD-LOCK RELEASE	1
47	300284	KNOB	1
48	5/32X3/4	ROLL PIN	2
49	300449	ANGLE-LOCK RELEASE	1
50	300397	SPRING-LOCK RELEASE	1
51	3/8-16	HEX NUT	1
52	300450	LINK-LOCK RELEASE	1
53	10-32X3/4	PHIL. PANHEAD MACHINE SCREW	1
54	10-32X1	PHIL. PANHEAD MACHINE SCREW	3
55	3/16	FLAT WASHER	8
56	10-32	NYLON INSERT LOCK NUT	4
57	1/4-20X3/8	PHIL. PANHEAD MACHINE SCREW	2
58	1/4	FLAT WASHER	2
59	300178	LINK-LOCK RELEASE	2

BW-9,-9L & BWO-9,-9L,-9H.max

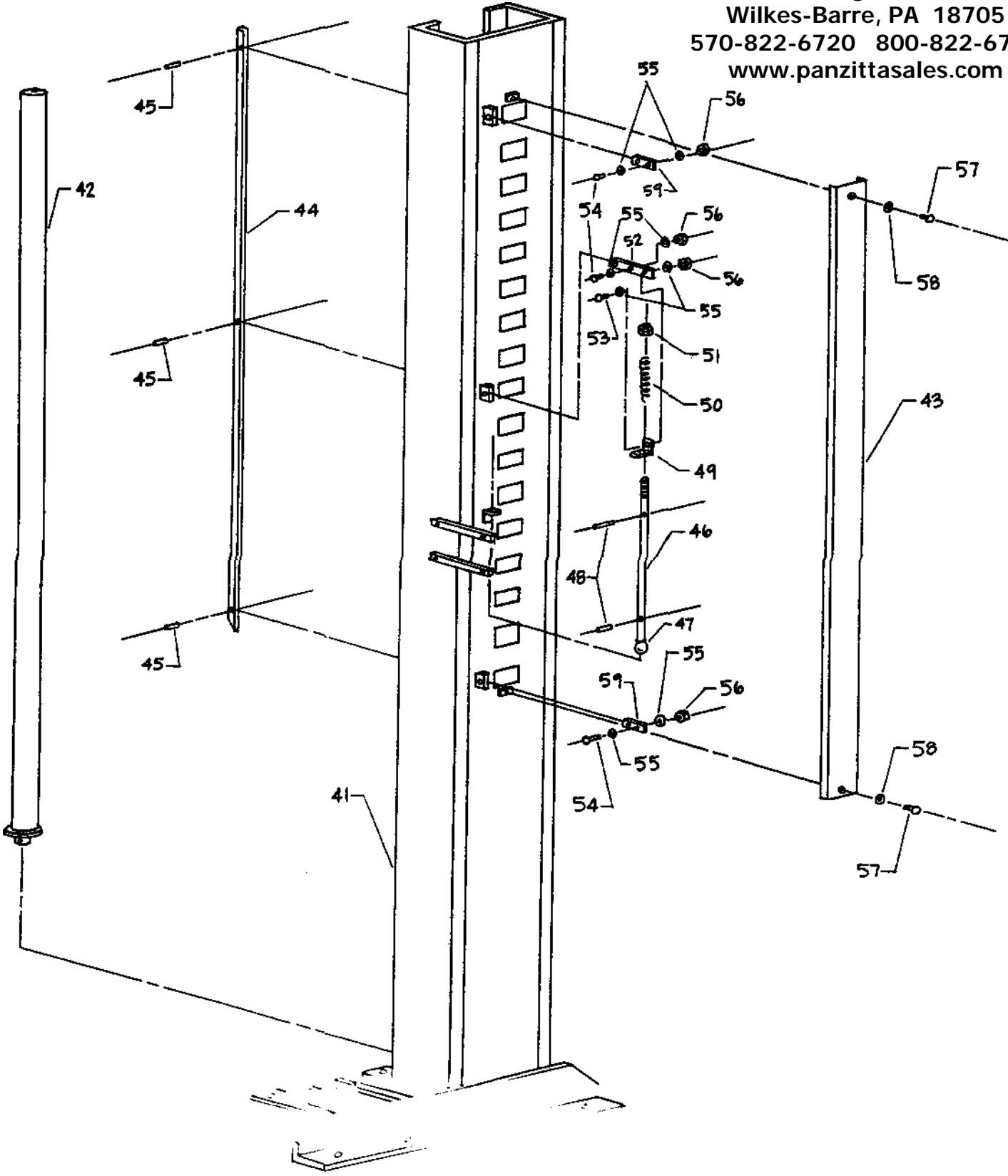
PANZITTA SALES & SERVICE

72 George Avenue

Wilkes-Barre, PA 18705

570-822-6720 800-822-6720

[www.panzittasales.com](http://www.panzittasales.com)



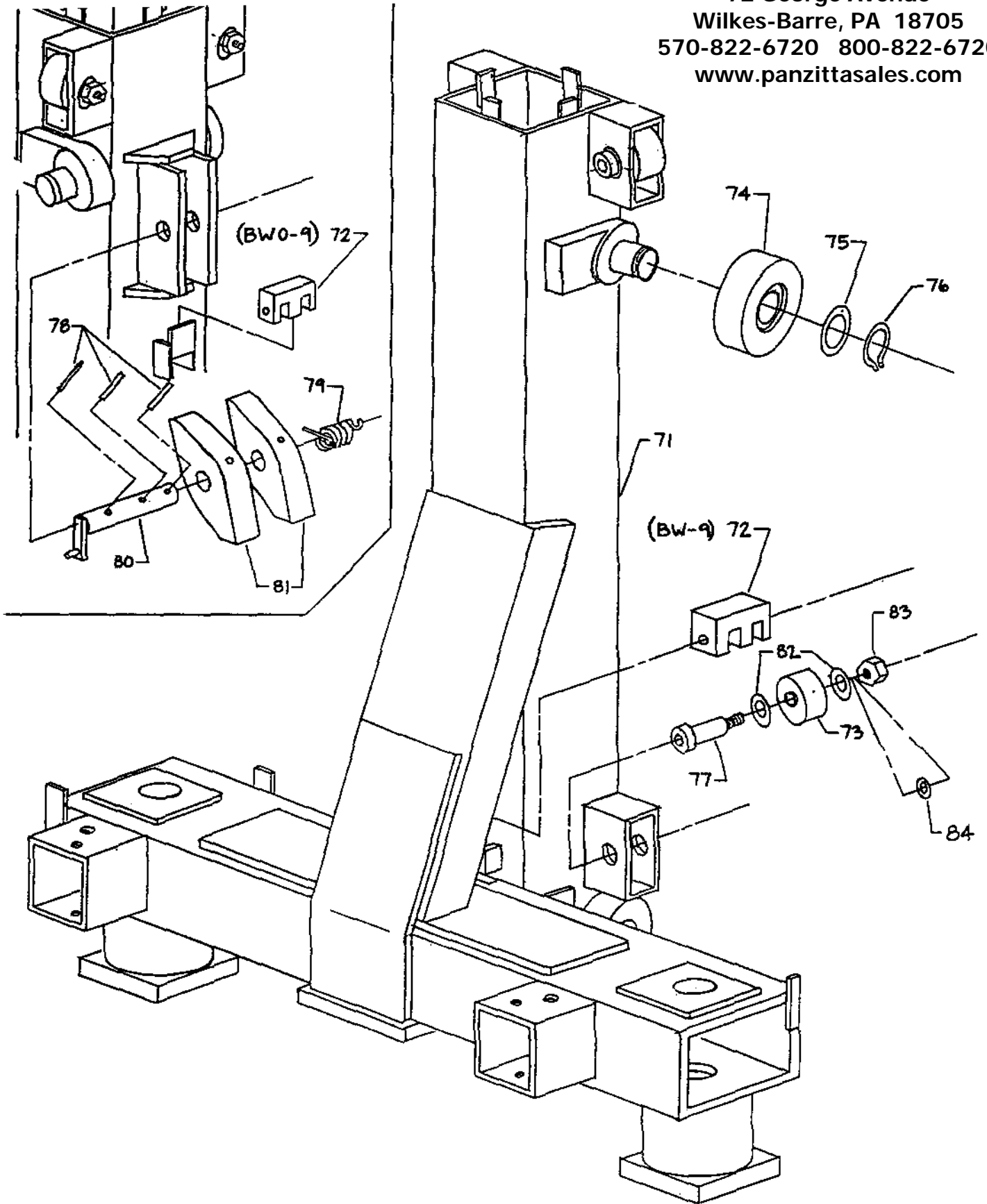
**PANZITTA SALES & SERVICE**  
 72 George Avenue  
 Wilkes-Barre, PA 18705  
 570-822-6720 800-822-6720  
 www.panzittasales.com

**CARRIAGE ASSEMBLY DRIVE SIDE**

<b>NO</b>	<b>PART NUMBER</b>	<b>PART NAME</b>	<b>BW-9 QTY</b>	<b>BWO-9 9L/9H QTY</b>
71	300483-1	CARRIAGE WELD-DRIVE SIDE	1	
	300483-3	CARRIAGE WELD-DRIVE SIDE		1
72	300554	CHAIN-ANCHOR	1	1
73	300382	ROLLER ASSY-SIDE	4	4
74	300607	ROLLER-FLANGE	4	4
75	300617	THRUST WASHER	4	4
76	300218-8	SNAP RING	4	4
77	5/8X1 1/2	SOCKET SHOULDER SCREW	4	4
78	5/32X1 1/2	ROLL PIN	3	3
79	300269	SPRING-SAFETY LOCK	1	1
80	300537	PIN ASSY	1	1
81	300612	LOCK-CARRIAGE - <i>2300830</i>	2	2
82	5/8 IDX1 1/4 OD	MACHINE BUSHING	8	8
83	1/2-13	NYLON INSERT LOCK NUT	4	4
84	1/2	FLAT WASHER	4	4

BW-9,-9L & BWO-9,-9L,-9H.max

PANZITTA SALES & SERVICE  
72 George Avenue  
Wilkes-Barre, PA 18705  
570-822-6720 800-822-6720  
www.panzittasales.com



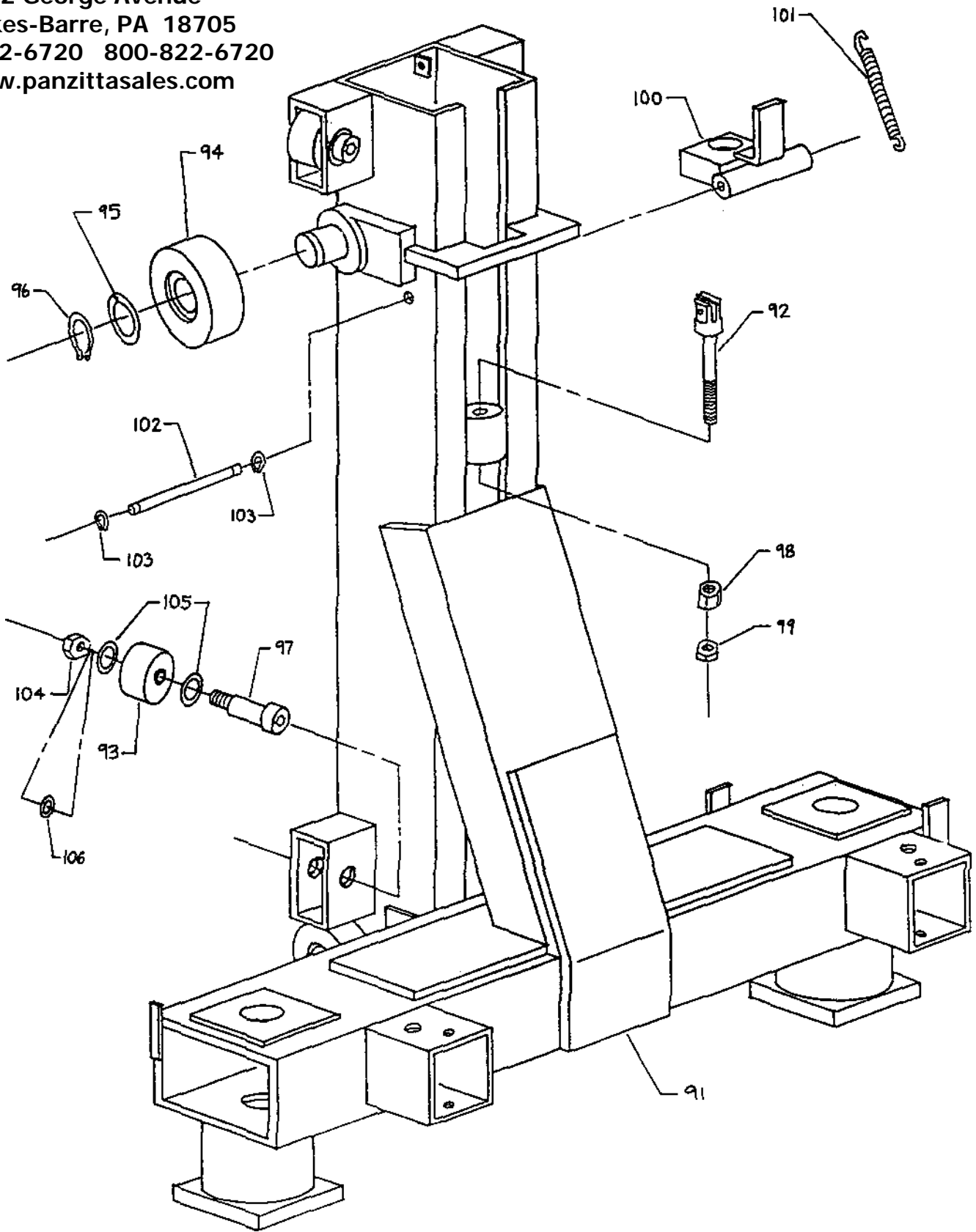
**PANZITTA SALES & SERVICE**  
 72 George Avenue  
 Wilkes-Barre, PA 18705  
 570-822-6720 800-822-6720  
 www.panzittasales.com

### CARRIAGE ASSEMBLY DRIVEN SIDE

<b>NO</b>	<b>PART NUMBER</b>	<b>PART NAME</b>	<b>BW-9 QTY</b>	<b>BWO-9 9L/9H QTY</b>
91	300484	CARRIAGE WELD-DRIVEN SIDE	1	1
92	300553	CLEVIS-CHAIN	1	1
93	300382	ROLLER ASSY-SIDE	4	4
94	300607	ROLLER-FLANGE	4	4
95	300617	THRUST WASHER	4	4
96	300218-8	SNAP RING	4	4
97	5/8X1 1/2	SOCKET SHOULDER SCREW	4	4
98	5/8-18	HEX NUT	1	1
99	5/8-18	JAM NUT	1	1
100	300543	LOCK WELD-LOOSE CHAIN	1	1
101	300396	SPRING-LOOSE CHAIN LOCK	1	1
102	300546	PIN-LOOSE CHAIN	1	1
103	300218-11	SNAP RING	2	2
104	1/2-13	NYLON INSERT LOCK NUT	4	4
105	5/8IDX1 1/4OD	MACHINE BUSHING	8	8
106	1/2	FLAT WASHER	4	4

BW-9,-9L & BWO-9,-9L,-9H.max

PANZITTA SALES & SERVICE  
72 George Avenue  
Wilkes-Barre, PA 18705  
570-822-6720 800-822-6720  
www.panzittasales.com



**PANZITTA SALES & SERVICE**  
 72 George Avenue  
 Wilkes-Barre, PA 18705  
 570-822-6720 800-822-6720  
 www.panzittasales.com

### ARM LOCK ASSEMBLY

<b>NO</b>	<b>PART NUMBER</b>	<b>PART NAME</b>	<b>BW-9 QTY</b>	<b>BWO-9 9L/9H QTY</b>
101	300214	SUPT TUBE-LOCK BAR	4	4
102	300542	LINK-ARM RESTRAINT	4	4
103	300216-7	RESTRAINT BAR-FRONT ARM	2	2
104	300217	RESTRAINT PIN-ARM	4	4
105	300216-5	RESTRAINT BAR-REAR ARM	2	2
106	300136	CLEVIS PIN	4	4
107	1/8X3/4	ROLL PIN	4	4
108	3/16X1 1/8	ROLL PIN	4	4
109	3/8-16X8 1/2	HEX BOLT	4	4
110	3/8-16	JAM NUT	8	8
111	300222	SPRING-ARM LOCK	4	4
112	300218-2	SNAP RING	4	4
113	1/8X1	COTTER PIN	4	4

BW-9,-9L & BWO-9,-9L,-9H.max

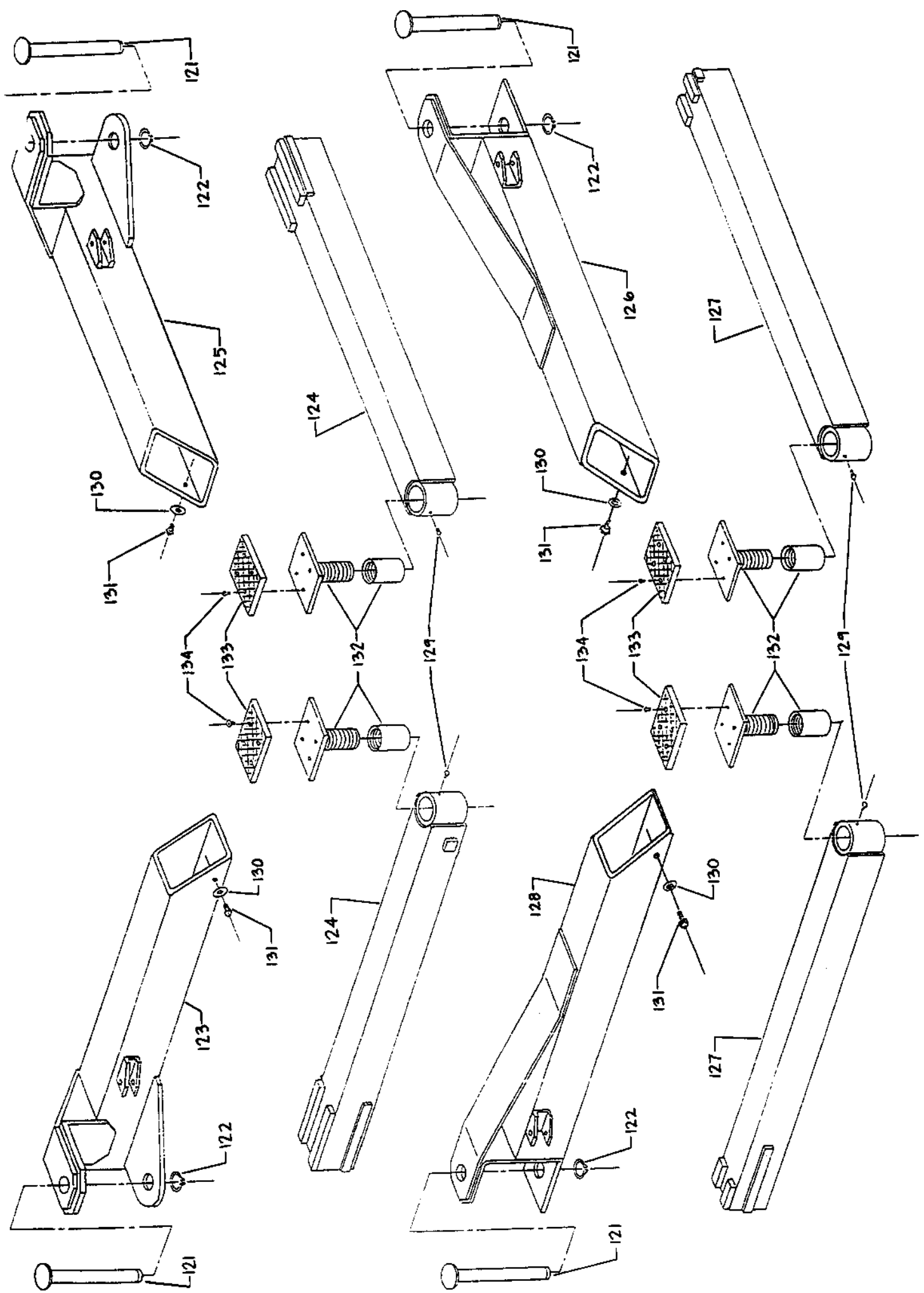


**PANZITTA SALES & SERVICE**  
 72 George Avenue  
 Wilkes-Barre, PA 18705  
 570-822-6720 800-822-6720  
 www.panzittasales.com

### ARM ASSEMBLY

<b>NO</b>	<b>PARTNUMBER</b>	<b>PART NAME</b>	<b>BW-9 QTY</b>	<b>BWO-9 /9L/9H QTY</b>
121	300238	PIN-ARM	4	4
122	300218-4	SNAP RING	4	4
123	300444-1	ARM WELD-ASYM FRONT (LH)	1	1
124	300428	ARM EXT WELD-FRONT	2	2
125	300444-2	ARM WELD-ASYM FRONT (RH)	1	1
126	300418-1	ARM WELD-REAR (LH)	1	1
127	300426	ARM EXTWELD-REAR	2	2
128	300418-2	ARM WELD-REAR (RH)	1	1
129	5/16-18X1/2	HEX BOLT	4	4
130	3/8X1/32 THK	ALUMINUM WASHER	4	4
131	3/8-16X1/2	HEX BOLT	4	4
132	100967	LIFT ADAPTER ASSY	4	4
133	100533	PAD-LIFT	4	4
134	5/16-18X1/2	PHILIPS PANHEAD MACHINE SCREW	16	16

BW-9,-9L & BWO-9,-9L,-9H.max

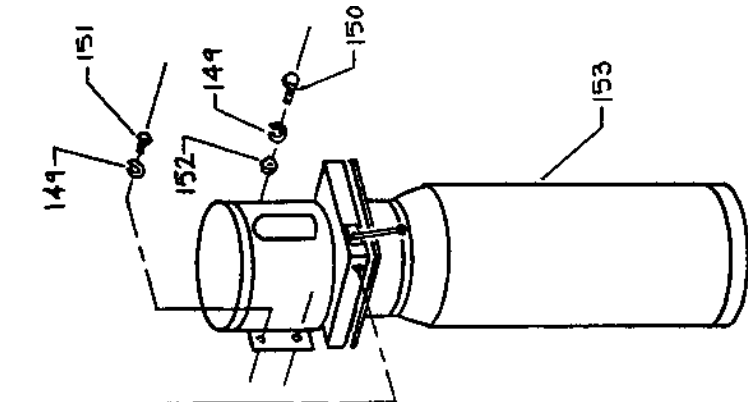


**PANZITTA SALES & SERVICE**  
 72 George Avenue  
 Wilkes-Barre, PA 18705  
 570-822-6720 800-822-6720  
 www.panzittasales.com

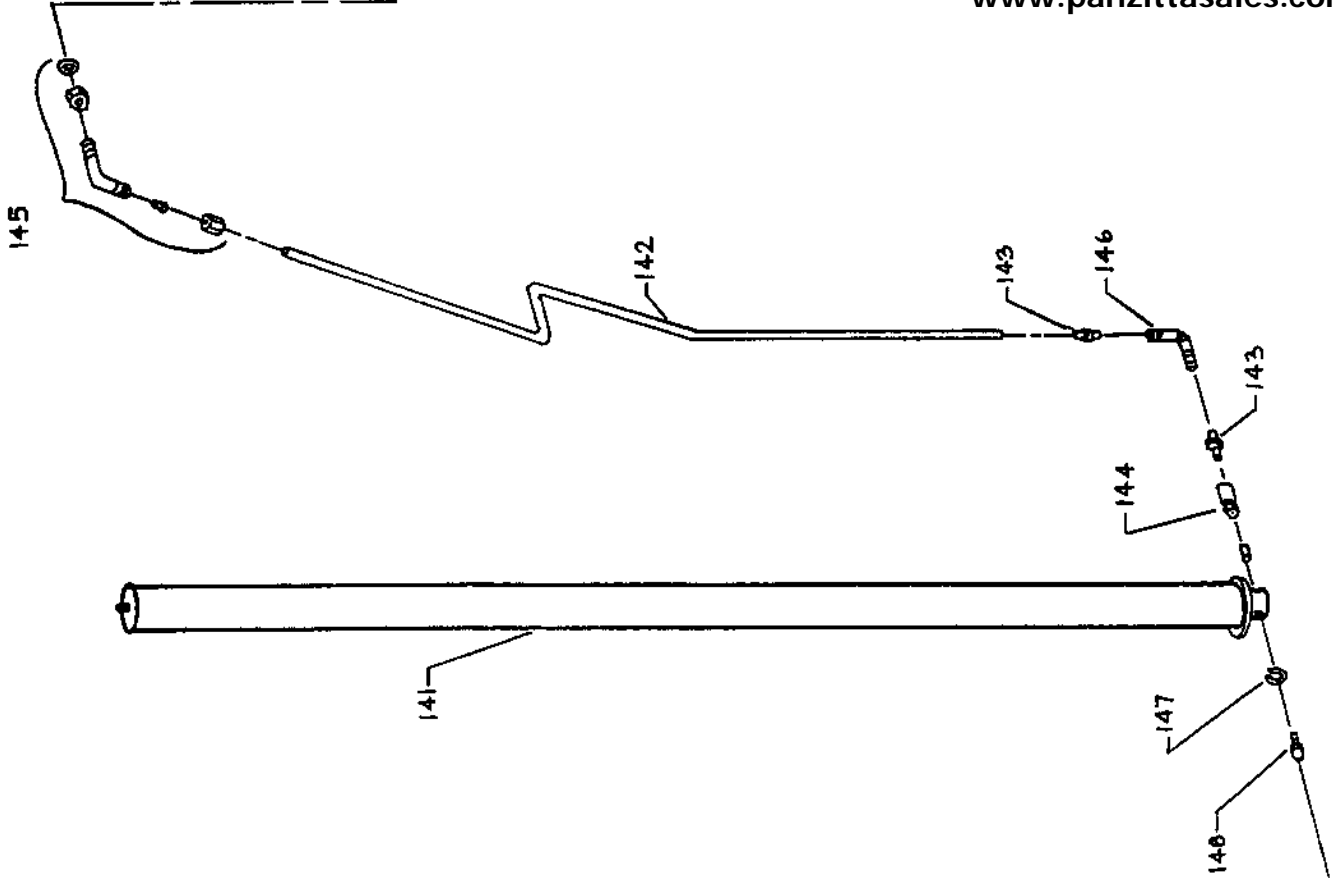
**CYLINDER ASSEMBLY**

<b>NO</b>	<b>PART NUMBER</b>	<b>PART NAME</b>	<b>BW-9 QTY</b>	<b>BWO-9 9L/9H QTY</b>
141	300304	HYDRAULIC CYLINDER	1	1
142	300388	HYDRAULIC LINE	1	1
143	500389	PIPE NIPPLE	2	2
144	500354	FLOW CONTROL VLVE	1	1
145	300624	STRAIGHT THREAD ELBOW	1	1
146	300390	FEMALE PIPE ELBOW	1	1
147	3/8	SPLIT LOCKWASHER	1	1
148	3/8-16X5/8	HEX BOLT	1	1
149	5/16	SPLIT LOCK WASHER	4	4
150	5/16-18X1	HEX BOLT	2	2
151	5/16-18X5/8	HEX BOLT	2	2
152	5/16-18	HEX NUT	2	2
153	101067	AB 1082 ELEC-HYDRAULIC PUMP (1 PHASE)	1	
	101068	AD 1030 ELEC-HYDRAULIC PUMP (3 PHASE)	1	
	101071	AB 1086 ELEC-HYDRAULIC PUMP (1 PHASE)		1
	101072	AD 1028 ELEC-HYDRAULIC PUMP (3 PHASE)		1

BW-9,-9L & BWO-9,-9L,-9H.max



**PANZITTA SALES & SERVICE**  
 72 George Avenue  
 Wilkes-Barre, PA 18705  
 570-822-6720 800-822-6720  
[www.panzittasales.com](http://www.panzittasales.com)



BW-9,-9L & BWO-9,-9L,-9H.max

**BWO-9 ASSEMBLY**

<b>NO</b>	<b>PART NUMBER</b>	<b>PART NAME</b>	<b>BWO-9 9L/9H QTY</b>
1	300516-1	COLUMN-DRIVE SIDE	1
2	300517-1	COLUMN-DRIVEN SIDE	1
3	300533	UPPER COLUMN-DRIVE SIDE	1
4	300532	UPPER COLUMN-DRIVEN SIDE	1
5	300518	OVERHEAD BEAM	1
6	500388	ANCHOR BOLT ASSEMBLY	8
7	300554	ANCHOR-CHAIN	1
8	300346	PIN-ANCHOR CHAIN	1
9	300553	CLEVIS-CHAIN	1
10	300555	PIN CLEVIS	1
11	5/8-18	HEX NUT	1
12	5/8-18	HEX JAM NUT	1
13	300238	PIN-ARM FRONT & REAR	4
14	300218-4	SNAP RING	4
15	300418-1	ARM WELD-REAR (LH)	1
16	300426	ARM WELD EXT-REAR	2
17	300418-2	ARM WELD-REAR (RH)	1
18	300444-1	ARM WELD-ASYM FRONT (LH)	1
19	300428	ARM WELD EXT-FRONT	2
20	300444-2	ARM WELD-ASYM FRONT (RH)	1
21	300468	SHEAVE	3
22	300300	ROD ASSY-RESTRAINT	1
23	300304	HYDRAULIC CYLINDER (USE PN 300677 BWO-9L)	1
24	300559	AXLE-SHEAVE	2
25	300560	AXLE-SHEAVE	1
26	1/4-20X3/8	HEX BOLT	2
27	1/4	SPLIT LOCK WASHER	3
28	1/2-13X2 1/2 HB	HEXBOLT	8
29	1/2	SPLIT LOCK WASHER	8
30	1/2-13	HEX NUT	8
31	300469-3	LEAF CHAIN-513 LINKS	1
32	1/8X7/8	COTTER PIN	4
33	300568	BUMPER-DOOR	2
34	1/4-20X1/2	HEX HEAD BOLT	1



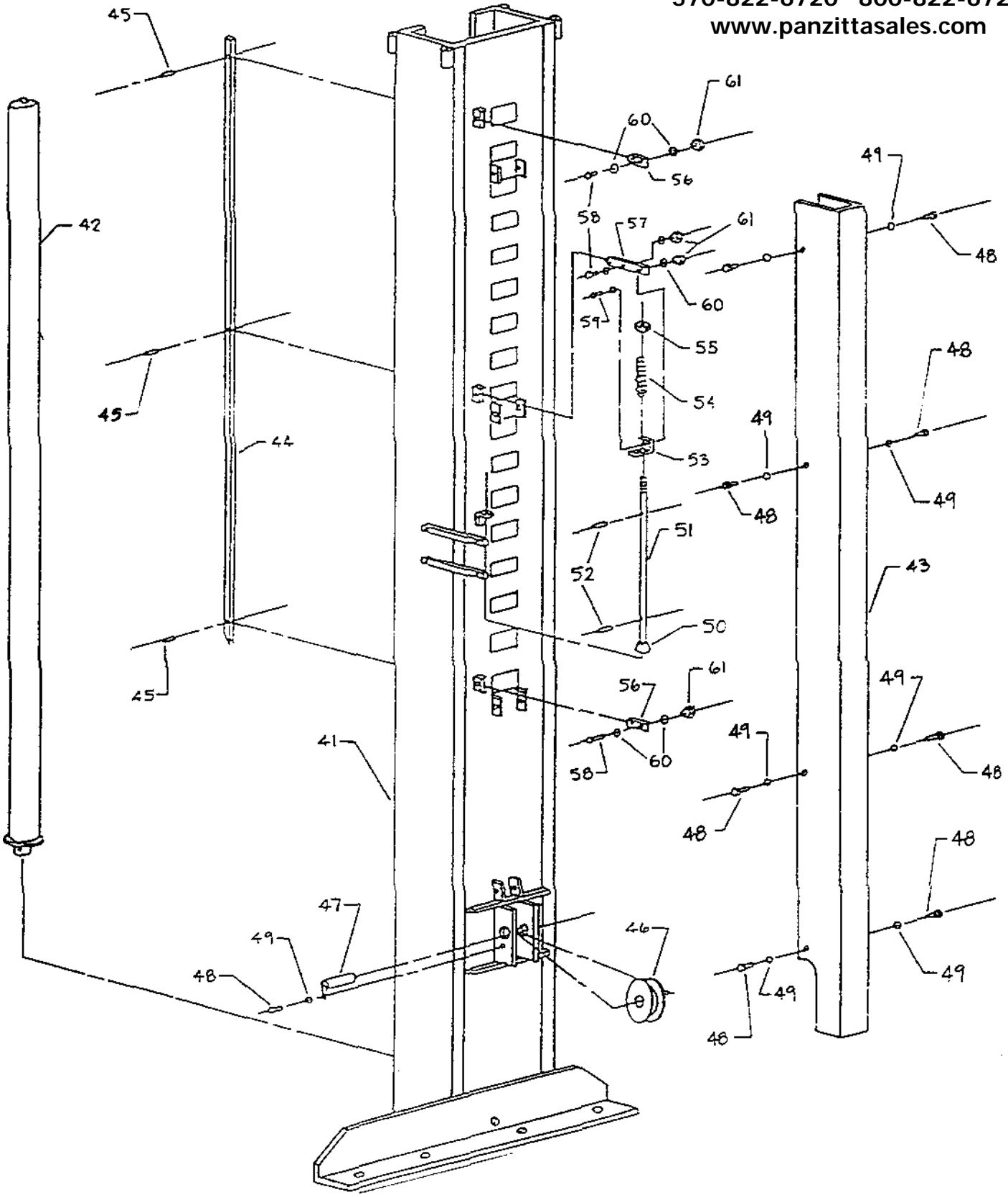
**PANZITTA SALES & SERVICE**  
 72 George Avenue  
 Wilkes-Barre, PA 18705  
 570-822-6720 800-822-6720  
 www.panzittasales.com

### DRIVE COLUMN ASSEMBLY

<b>NO</b>	<b>PART NUMBER</b>	<b>PART NAME</b>	<b>BWO-9 9L/9H QTY</b>
41	300516-1	COLUMN-DRIVE SIDE	1
42	300304	HYDRAULIC CYLINDER (USE PN 300677 BWO-9L)	1
43	300538	COVER CHAIN	1
44	300596	CHANNEL LOCK RELEASE	1
45	3/16X7/16	ROLL PIN	3
46	300468	SHEAVE	1
47	300559	AXLE-SHEAVE	1
48	1/4-20X3/8	HEX BOLT	9
49	1/4	SPLIT LOCK WASHER	9
50	300284	KNOB	1
51	300319	ROD-LOCK RELEASE	1
52	5/32X3/4	ROLL PIN	2
53	300449	ANGLE-LOCK RELEASE	1
54	300397	SPRING-LOCK RELEASE	1
55	3/8-16	HEX NUT	1
56	300178	LINK-LOCK RELEASE	2
57	300450	LINK-LOCK RELEASE	1
58	10-32X1	PHIL. PANHEAD MACHINE SCREW	3
59	10-32X3/4	PHIL. PANHEAD MACHINE SCREW	1
60	3/16	FLAT WASHER	8
61	10-32	NYLON INSERT LOCK NUT	4

BW-9,-9L & BWO-9,-9L,-9H.max

PANZITTA SALES & SERVICE  
72 George Avenue  
Wilkes-Barre, PA 18705  
570-822-6720 800-822-6720  
www.panzittasales.com



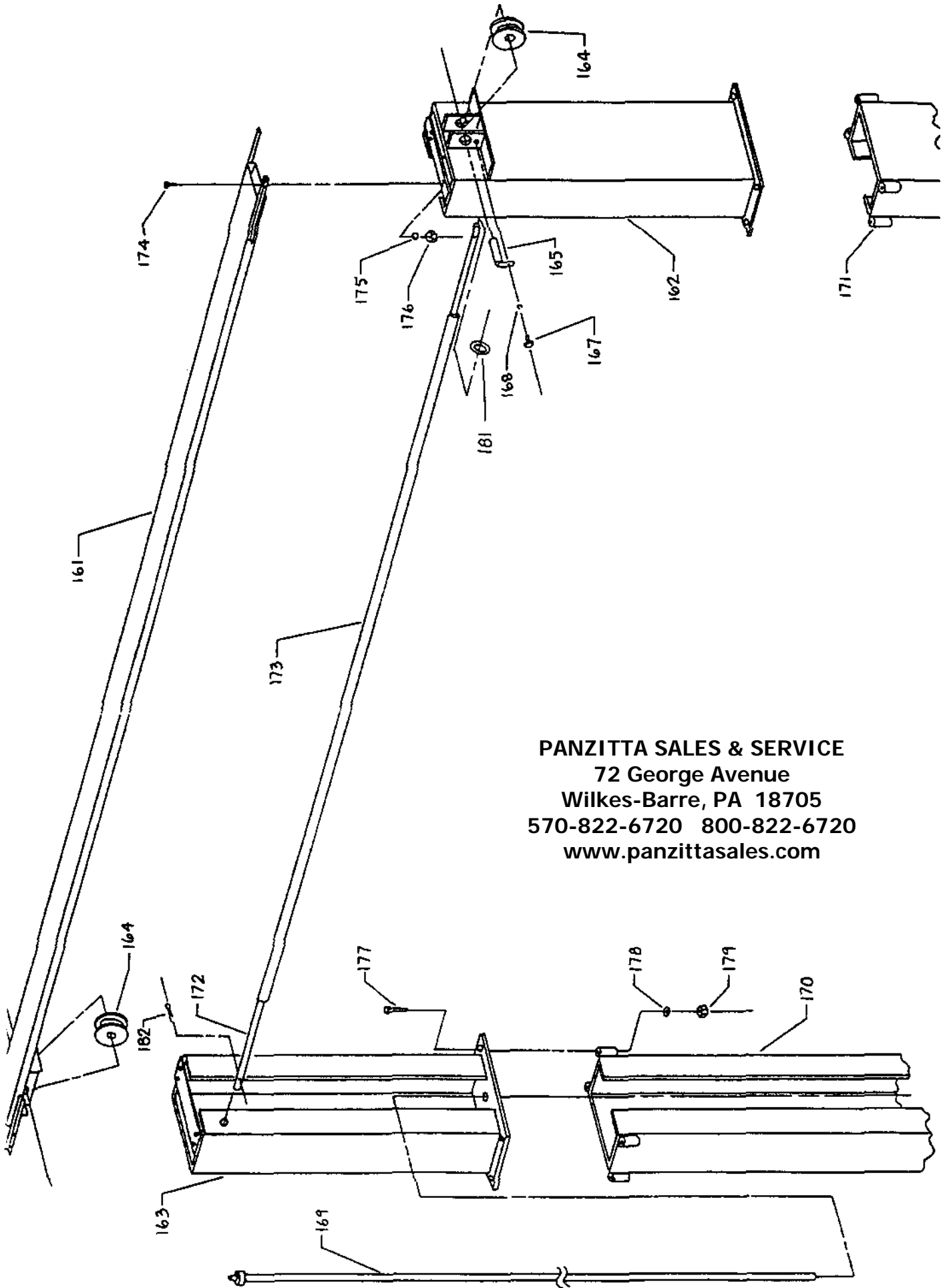
BW-9,-9L & BWO-9,-9L,-9H.max

**PANZITTA SALES & SERVICE**  
 72 George Avenue  
 Wilkes-Barre, PA 18705  
 570-822-6720 800-822-6720  
 www.panzittasales.com

### OVERHEAD BEAM ASSEMBLY

NO	PART NUMBER	PART NAME	BWO-9 QTY
161	300518	OVERHEAD BEAM	1
162	300533	UPPER COLUMN-DRIVE SIDE	1
163	300532	UPPER COLUMN-DRIVEN SIDE	1
164	300468	SHEAVE	2
165	300559	AXLE-SHEAVE	1
166	300560	AXLE-SHEAVE	1
167	1/4-20X3/8	HEX BOLT	1
168	1/4	SPLIT LOCK WASHER	2
169	300300	ROD ASSEMBLY-RESTRAINT	1
170	300517-1	COLUMN-DRIVEN SIDE	1
171	300516-1	COLUMN-DRIVE SIDE	1
172	300470-3	CONDUIT	1
173	300281	FOAM TUBING	1
174	3/8-16X1 1/4	HEX BOLT	8
175	3/8	SPLIT LOCK WASHER	8
176	3/8-16	HEX NUT	8
177	1/2-13X2 1/2	HEX BOLT	8
178	1/2	SPLIT LOCK WASHER	8
179	1/2-13	HEXNUT	8
180	1/4-20X1/2	HEX HEAD BOLT	1
181	3/4	FLAT WASHER	1
182	1/8X1	COTTER PIN	2

BW-9,-9L & BWO-9,-9L,-9H.max



**PANZITTA SALES & SERVICE**  
 72 George Avenue  
 Wilkes-Barre, PA 18705  
 570-822-6720 800-822-6720  
[www.panzittasales.com](http://www.panzittasales.com)

PANZITTA SALES & SERVICE  
72 George Avenue  
Wilkes-Barre, PA 18705  
570-822-6720 800-822-6720  
www.panzittasales.com

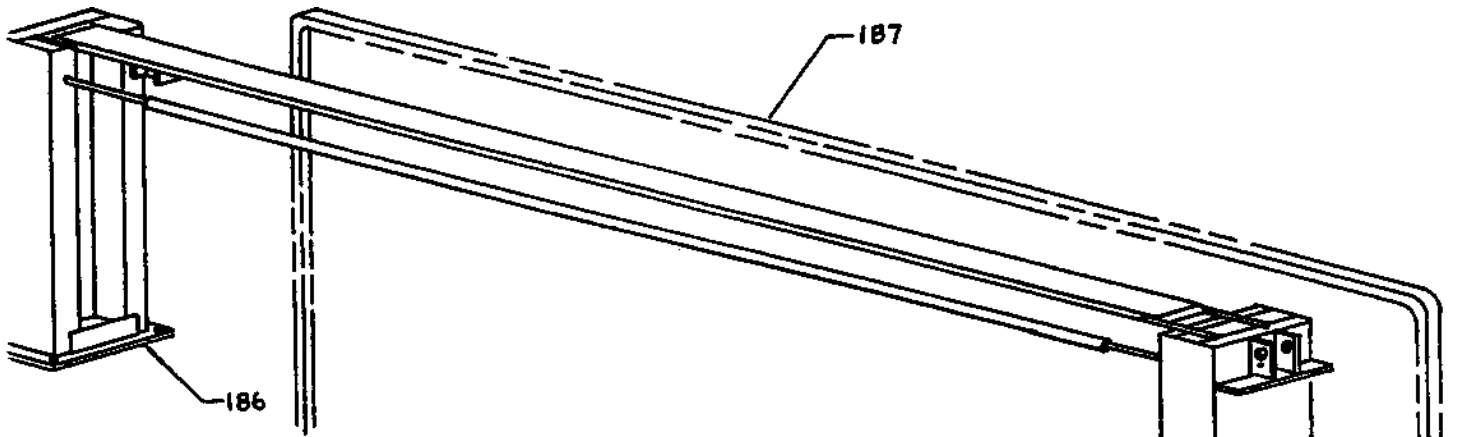
**BWO-9L O.H. BEAM ASSEMBLY**

<b>NO</b>	<b>PART NUMBER</b>	<b>PART NAME</b>	<b>BWO-9L QTY</b>
185	300669	UPPER COLUMN-DRIVE SIDE	1
186	300532-5	UPPER COLUMN-DRIVEN SIDE	1
187	300469-7	LEAF CHAIN - 501 LINKS	1
188	300677	HYD. CYLINDER	1

**BWO-9H O.H. BEAM ASSY**

<b>NO</b>	<b>PART NUMBER</b>	<b>PART NAME</b>	<b>BWO-9H QTY</b>
190	300666	UPPER COLUMN - DRIVE SIDE	1
191	300532-3	UPPER COLUMN - DRIVEN SIDE	1
192	300469-5	LEAF CHAIN - 572 LINKS	1

BW-9,-9L & BWO-9,-9L,-9H.max



PANZITTA SALES & SERVICE  
72 George Avenue  
Wilkes-Barre, PA 18705  
570-822-6720 800-822-6720  
[www.panzittasales.com](http://www.panzittasales.com)

