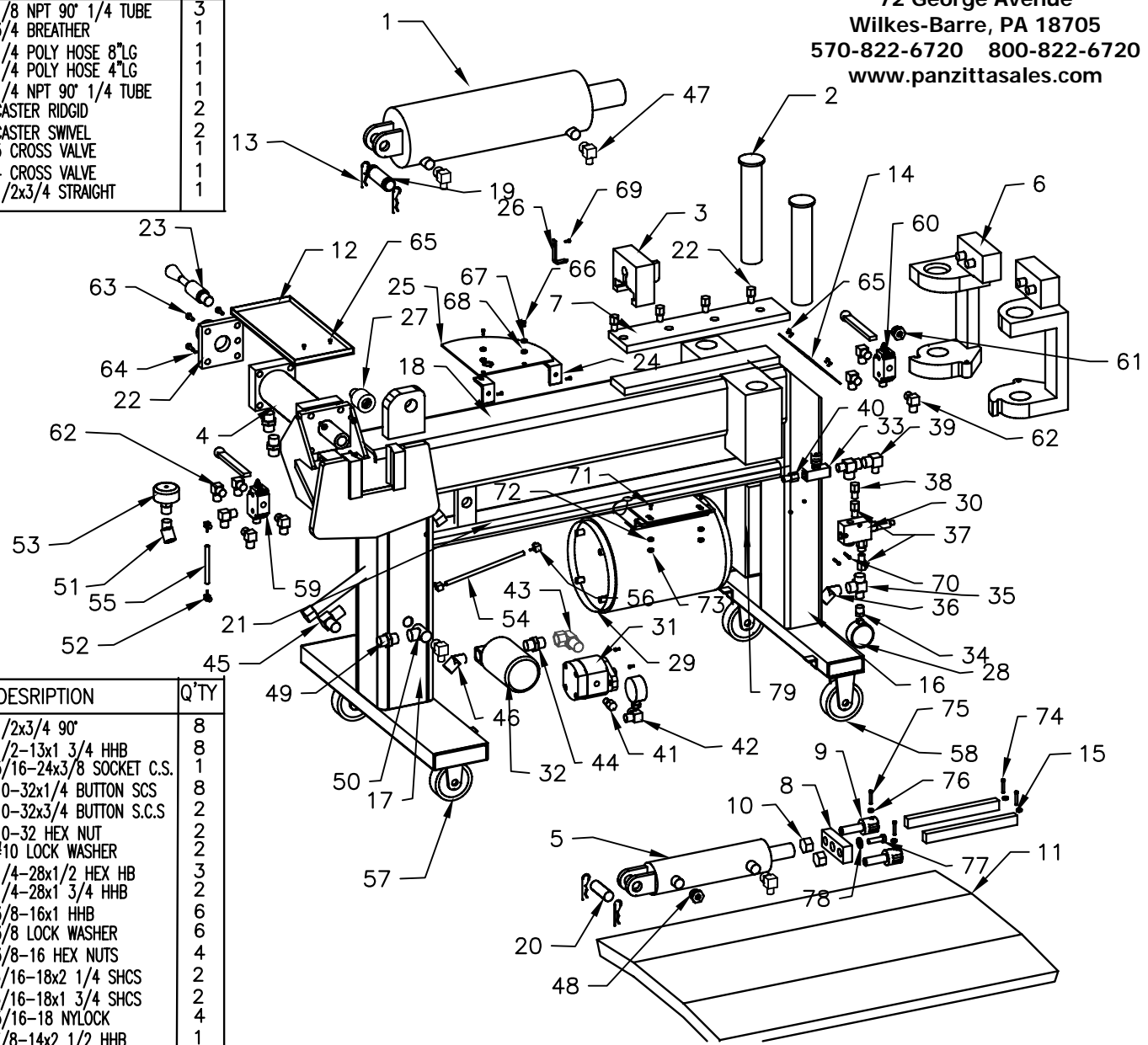


PANZITTA SALES & SERVICE
 72 George Avenue
 Wilkes-Barre, PA 18705
 570-822-6720 800-822-6720
 www.panzittasales.com

INDEX	PART NO.	DESCRIPTION	Q'TY	INDEX	PART NO.	DESCRIPTION	Q'TY
-1	5500235	5x14 CYL.	1	-52	5560130	1/8 NPT 90° 1/4 TUBE	3
-2	1021	SHAFT	2	-53	5585165	3/4 BREATHER	1
-3	1022-W	PUSHER BLOCK	1	-54		1/4 POLY HOSE 8" LG	1
-4	5500236	3 1/2x7 D.E.	1	-55		1/4 POLY HOSE 4" LG	1
-5	5500237	3 1/2x7 S.E.	1	-56	5560135	1/4 NPT 90° 1/4 TUBE	1
-6	1106	GATE ASSY	2	-57	5580140	CASTER RIDGID	2
-7	1024	RISER BAR	2	-58	5580145	CASTER SWIVEL	2
-8	1040	CHAIN CONN.	2	-59	5590100	5 CROSS VALVE	1
-9	1041	CHAIN RETURN	1	-60	5590125	4 CROSS VALVE	1
-10	5535136	3/4-10 NYLOCK NUT	2	-61	5550117	1/2x3/4 STRAIGHT	1

-11	1111	BOTTOM TOOL TRAY	1
-12	1112	SMALL TOOL TRAY	1
-13	5530189	HAIR PIN	4
-14	1031-C	UPRIGHT FACE PL.	1
-15		BL-844 12" LG.	2
-16	1107	FRONT LEG ASSY	1
-17	1105	REAR SUB ASSY	1
-18	1108	BODY ASSY	1
-19	1156	1 1/4x4 CYL. PIN	1
-20	1157	1x2 3/4 PIN	1
-21	1109	MOTOR MTG. SUPPORT	1
-22	1114	BUTTRESS ASSY	1
-23	1073-B	HARBOR 112	1
-24	1033-C	MOUNTING BRKT.	2
-25	1034	DEPTH OF BEND PL.	1
-26	1035	BEND INDICATOR	1
-27	1025-C	SLIP TWIST ADAPTER	1
-28	5515105	PRESSURE GAUGE	2
-29	5515105	MOTOR	1

INDEX	PART NO.	DESCRIPTION	Q'TY
-30	5590130	SEQUENCE VALVE	1
-31	5590210	OIL PUMP	1
-32	5590215	OIL FILTER	1
-33	5590115	FLOW CONTROL VALVE	1
-34	5550146	3/8x1/4 STRAIGHT RED.	1
-35	5550136	TEE 3/8 MALE 3/8 FEM.(2)	2
-36	5550116	1/2 45° 3/8	1
-37	5550142	3/8x3/8 REDUCER O RING	2
-38	5550128	3/8x3/8 STRAIGHT NIPPLE	1
-39	5550102	1/2x3/8 NPT 90°	1
-40	5550132	1/2x3/8 STRAIGHT NIPPLE	1
-41	5550135	5/8x1/2 STRAIGHT O RING	1
-42	5550130	3/8x3/8 90° TAP	4
-43	5550138	3/4x3/4(fem.) 90° O RING	1
-44	5550104	3/4x3/4 STRAIGHT NIPPLE	1
-45	5550124	3/4x3/4 90°	1
-46	5550149	3/4x3/4 45°	2
-47	5550134	1/2x3/4 SAE 90°	4
-48	5550101	1/2x1/4 REDUCER	1
-49	5550152	1/2 SAE 3/4 NPT STRAIG.	1
-50	5565110	1/2 "TEE"	1
-51	5565195	1/2 45° STREET ELBOW	1
-62	5550139	1/2x3/4 90°	8
-63	5530230	1/2-13x1 3/4 HHB	8
-64	5530140	5/16-24x3/8 SOCKET C.S.	1
-65	5550152	10-32x1/4 BUTTON SCS	8
-66	5530180	10-32x3/4 BUTTON S.C.S	2
-67	5535185	10-32 HEX NUT	2
-68	5545145	#10 LOCK WASHER	2
-69	5530270	1/4-28x1/2 HEX HB	3
-70	5530126	1/4-28x1 3/4 HHB	2
-71	5530245	3/8-16x1 HHB	6
-72	5545130	3/8 LOCK WASHER	6
-73	5535170	3/8-16 HEX NUTS	4
-74	5530145	5/16-18x2 1/4 SHCS	2
-75	5530155	5/16-18x1 3/4 SHCS	2
-76	5535122	5/16-18 NYLOCK	4
-77	5530105	7/8-14x2 1/2 HHB	1
-78	5545120	7/8 LOCK WASHER	1
-79	5520170	STARTER	1
-80			1



 PROJECTION APPROVED	 TOLERANCES: XX ± 0.02 XXX ± 0.005 FRACTIONS ± 1/16 SURFACE 63 DIA. Ø ± .005 ANGLES ± 1/2° QTY REQ'D	BEND-PAK	
		BLUE BULLET	
CAGE CODE ØA223	NEXT ASSY	MAT'L:	
		DATE: 10/01/01	REV.
SCALE:		BLUE BULLE	

NOTES: UNLESS OTHERWISE SPECIFIED