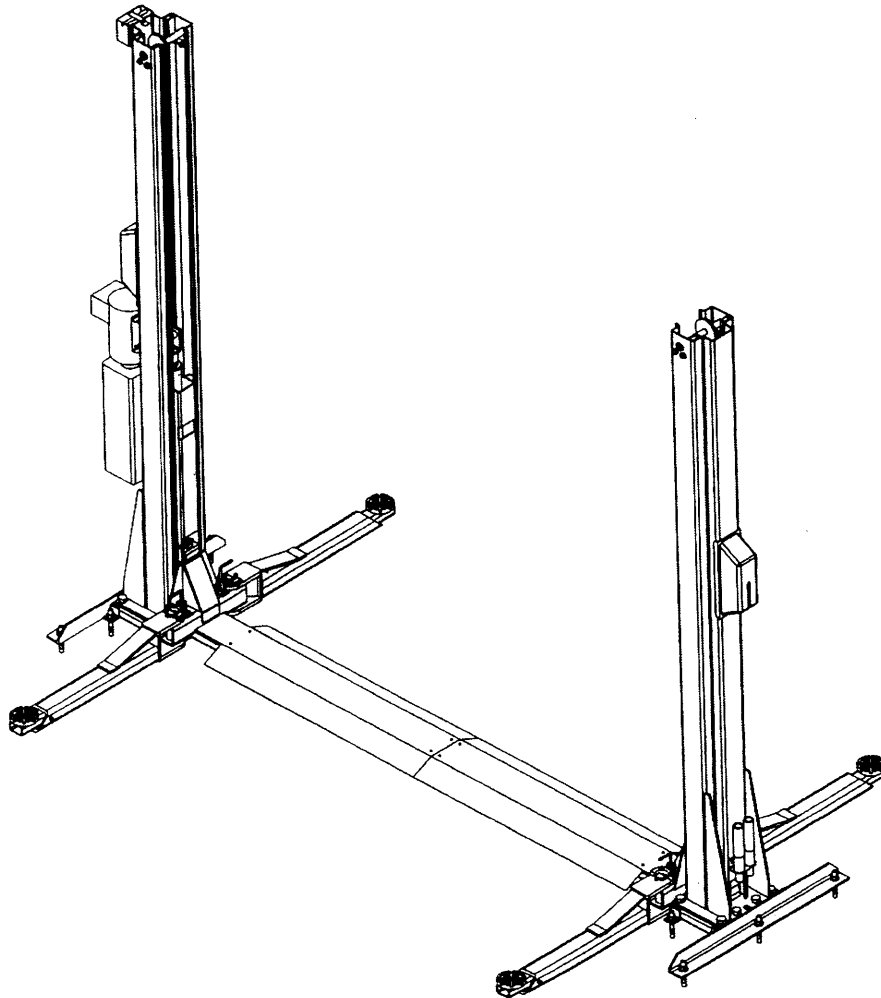




PANZITTA SALES & SERVICE
72 George Avenue
Wilkes-Barre, PA 18705
570-822-6720 800-822-6720
www.panzittasales.com

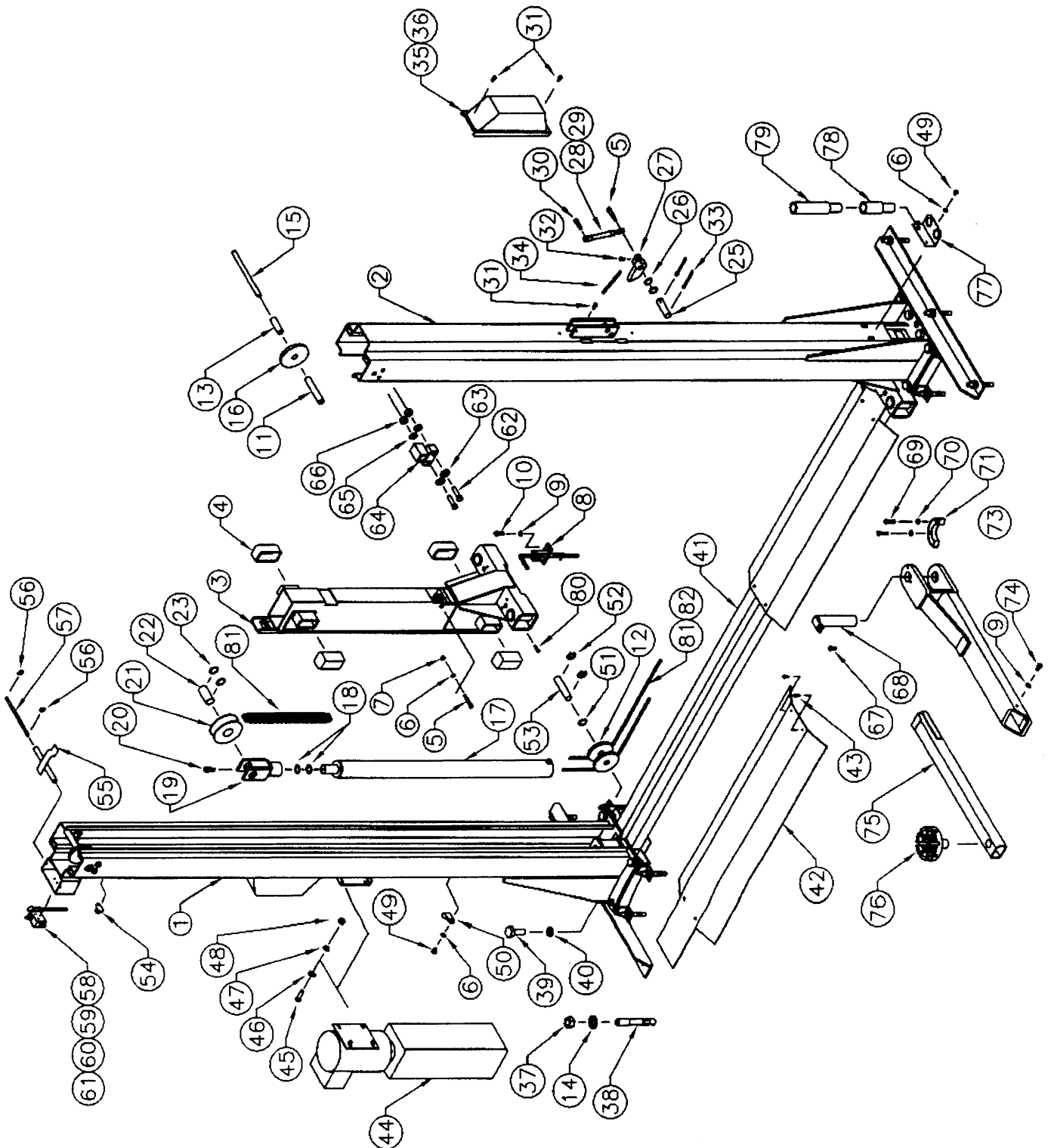


9,000 LB. BASEPLATE 2 POST
S290L □ □ - R/B/M, 1/3

8 PARTS MANUAL

8.1 LIFT ASSEMBLY

PANZITTA SALES & SERVICE
72 George Avenue
Wilkes-Barre, PA 18705
570-822-6720 800-822-6720
www.panzittasales.com



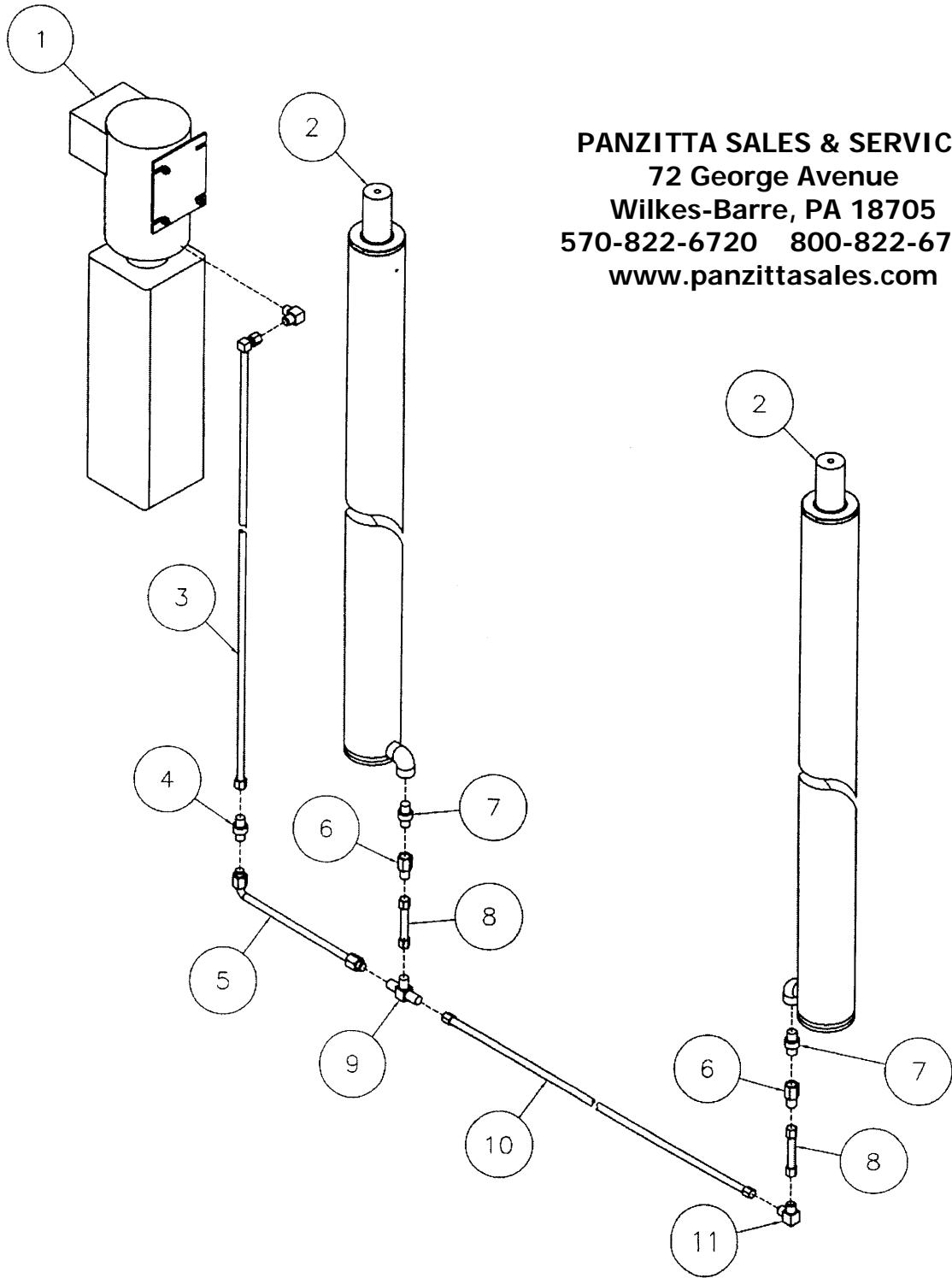
8.2 LIFT ASSEMBLY PARTS LIST

ITEM	QTY	DESCRIPTION	PART #
1	1	TOWER WELDMENT, L.S.	4-0925
2	1	TOWER WELDMENT, R.S.	4-0956
3	2	CARRIAGE WELDMENT	4-0765
4	8	GLIDE BEARINGS	2-0772
5	6	SHOULDER BOLT, 5/16"-NC x 1 1/4"	6-2491
6	7	LOCKWASHER, 1/4" ID	6-0056
7	4	HEX NUT, 1/4"-NC	6-0032
8	4	ARM LOCK ASSEMBLY	1-2038
9	4	LOCKWASHER, 3/8" ID	6-0058
10	8	SOC. HD CAP SCREW, 3/8"-NC x 1 1/4"	6-2048
11	2	PULLEY PIPE, LONG	1-2129
12	4	PULLEY ASSEMBLY	1-2141
13	2	PULLEY PIPE, SHORT	1-2128
14	14	FLATWASHER, 3/4" ID	6-0738
15	2	UPPER PULLEY PIN	1-2126
16	2	PULLEY ASSEMBLY - UPPER	1-2502
17	2	CYLINDER ASSEMBLY	3-0737
18	4	THRUST WASHER	6-0328
19	2	FORK WELDMENT	2-1637
20	2	SHOULDER BOLT, 1/2"-NC x 5/8"	6-0425
21	2	WHEEL CHAIN	2-1854
22	2	FORK PIN	1-2132
23	4	CIRCLIP, 1 1/4"	6-0340
24	2	LEAF CHAIN	1-2424
25	2	SAFETY PIN	1-0938
26	8	FLAT WASHER 51/64" ID x 1" OD	6-0808
27	2	SAFETY DOG	2-1793
28	2	ROD CLEVIS	1-2426
29	2	AIR CYLINDER	1-2425
30	2	SHOULDER BOLT, 5/16"-NC x 3/4"	6-0591
31	6	SELF TAPPING SCREW, #12 x 3/8"	6-2516
32	2	SELF TAPPING SCREW, #10 x 3/8"	6-0169
33	4	COTTER PIN, 1/8" x 1"	6-0267
34	2	SAFETY SPRING	1-1115
35	1	SAFETY COVER C/W DECALS L.S.	0-0865
36	1	SAFETY COVER C/W DECALS R.S.	0-0864
37	14	HEX NUT, 3/4"-NC	6-0737
38	14	WEDGE ANCHOR, 3/4"-NC x 5 1/2"	6-1379
39	12	HEX HD BOLT, 3/4"-NC x 2"	6-2426
40	12	LOCKWASHER, 3/4" ID	6-0259
41	1	BASEFRAME WELDMENT	4-0764
42	2	LINE COVER	2-1847
43	8	SELF TAPPING SCREW, #12 x 1/2"	6-1134
44	1	POWERPACK, 230V / 1PH / 60HZ	6-2055
45	4	HEX HD BOLT, 5/16"-NC x 1"	6-0293
46	4	FLATWASHER, 5/16" ID	6-0295
47	4	LOCKWASHER, 5/16" ID	6-0674
48	4	HEX NUT, 5/16"-NC	6-0294
49	3	ROUND HD SCREW, 1/4"-NC x 3/8"	6-1353
50	1	TUBE CLAMP	6-0536

ITEM	QTY	DESCRIPTION	PART #
51	2	LOWER PULLEY PIN	1-2130
52	4	CIRCLIP, 3/4"	6-2422
53	4	THRUST WASHER, TRA-1220	6-0502
54	4	ELECTRICAL CABLE CLIP	6-1759
55	1	ROCKER ARM	1-2308
56	1	LIMIT SWITCH PIN	1-2427
57	2	CIRCLIP, 5/16"	6-2500
58	1	MICROSWITCH BOX	6-0914
59	1	ELBOW, 90 DEG CONNECTOR	6-0947
60	1	MICROSWITCH	6-0916
61	80"	ELECTRICAL CABLE	8-0030
62	8	HEX HD BOLT, 1/2"-NC x 2 1/4"	6-0315
63	8	FLATWASHER, 1/2" ID	6-0248
64	4	CARRIAGE STOPS	1-2500
65	8	LOCKWASHER, 1/2" ID	6-0059
66	8	HEX NUT, 1/2"-NC	6-0035
67	4	HEX HD BOLT, 5/16"-NC x 3/4"	6-0423
68	4	ARM PIN	2-1594
69	8	HEX HD BOLT, 5/16"-NC x 1 1/4"	6-2059
70	8	FLATWASHER, 5/16" ID	6-0295
71	4	ARM LOCK GEAR	1-2044
72	4	OUTER ARM WELDMENT	3-0850
73	4	ARM ASSEMBLY C/W PIN	4-0949-6
74	4	HEX HD BOLT, 3/8"-NC x 3/4"	6-0030
75	4	INNER ARM WELDMENT	3-0742
76	4	ADAPTER PAD ASSEMBLY	1-2045
77	2	ADAPTER HOLDER	1-2012
78	4	3" PAD ADAPTER	1-1993
79	4	6" PAD ADAPTER	2-1580
80	4	GREASE NIPPLE	6-0000
81	2	LEAF CHAIN (CUT TO SIZE)	1-2424

PANZITTA SALES & SERVICE
72 George Avenue
Wilkes-Barre, PA 18705
570-822-6720 800-822-6720
www.panzittasales.com

8.3 HYDRAULIC SYSTEM



PANZITTA SALES & SERVICE
72 George Avenue
Wilkes-Barre, PA 18705
570-822-6720 800-822-6720
www.panzittasales.com

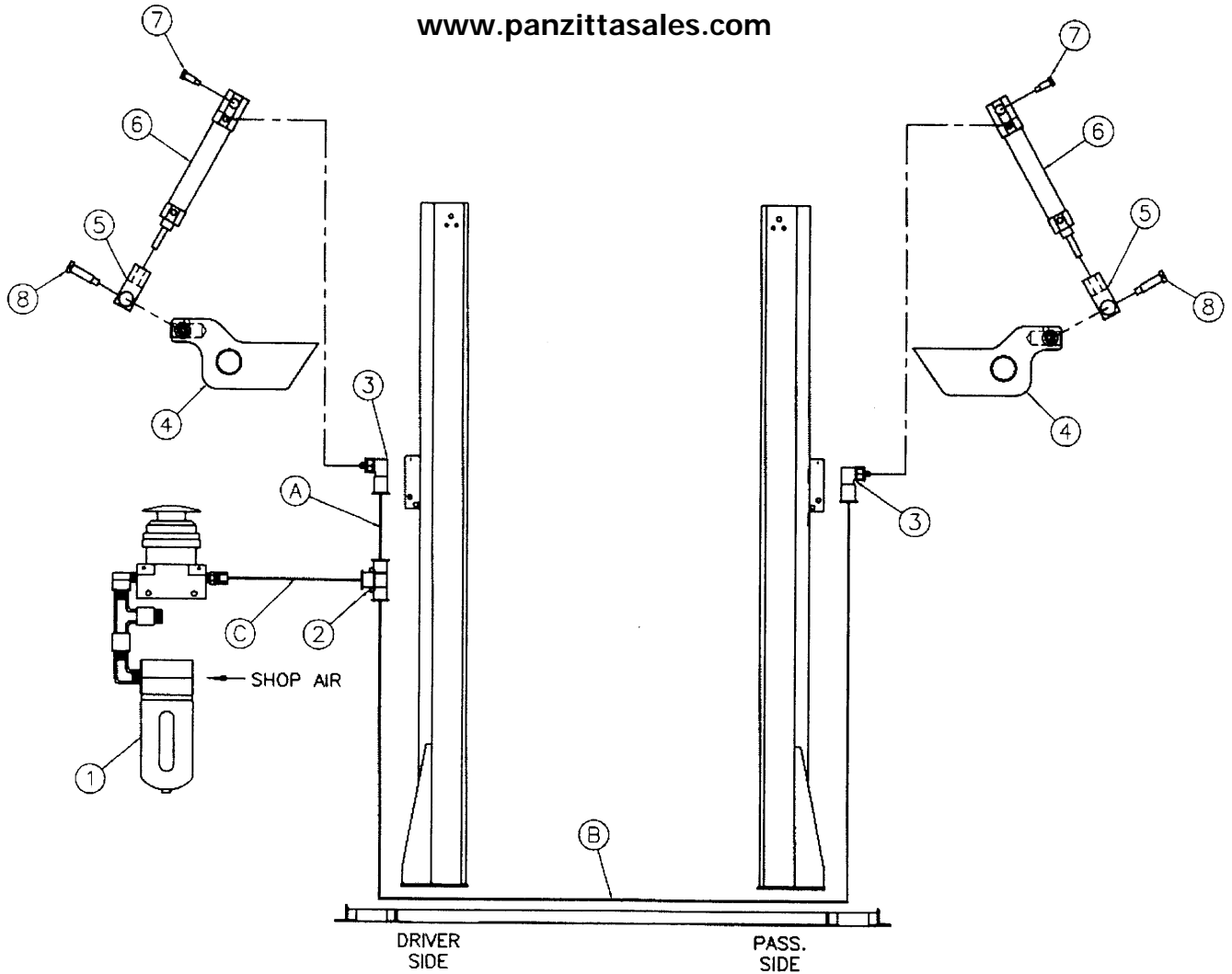
8.4 HYDRAULIC SYSTEM PARTS LIST

ITEM	QTY	DESCRIPTION	PART #
1	1	POWER PACK, 208-230V/1PH	6-2055
	1	POWER PACK, 208-230V/3PH	6-2665
2	2	CYLINDER ASS'Y	3-0737
3	1	HYDRAULIC HOSE ASS'Y	2-1230
4	1	ADAPTER, 3/8" JIC M – 3/8" JIC M	6-0286
5	1	HYDRAULIC TUBE ASS'Y	1-2435
6	2	FLOW CONTROL	6-1520
7	2	ADAPTER, 1/4" NPT M – 3/8" NPT M	6-0270
8	2	HYDRAULIC TUBE, 3/8" OD x 2 5/8" LG	1-0281
9	1	"T" FITTING	6-1372
10	1	HYDRAULIC HOSE ASS'Y	2-1849
11	1	ELBOW, 90° 3/8" JIC M - 3/8" JIC M	6-0922
		<i>3 PH POWERPACK INCLUDES THE FOLLOWING (NOT SHOWN)</i>	
*	1	CONTACTOR BOX (WIRE FOR 3PH)	6-1575
*	1	CONTACTOR BRACKET	2-1130
*	1	COVER PLATE	1-1369
*	2	HEX BOLT, 1/4"-NC x 1" LG	6-0008
*	4	LOCKWASHER, 1/4"	6-0056
*	2	HEX NUT, 1/4"-NC	6-0032
*	2	STRAIN RELIEF	6-0094
*	2FT	CABLE, 14/4	8-0287

PANZITTA SALES & SERVICE
72 George Avenue
Wilkes-Barre, PA 18705
570-822-6720 800-822-6720
www.panzittasales.com

8.5 AIR SYSTEM

PANZITTA SALES & SERVICE
72 George Avenue
Wilkes-Barre, PA 18705
570-822-6720 800-822-6720
www.panzittasales.com



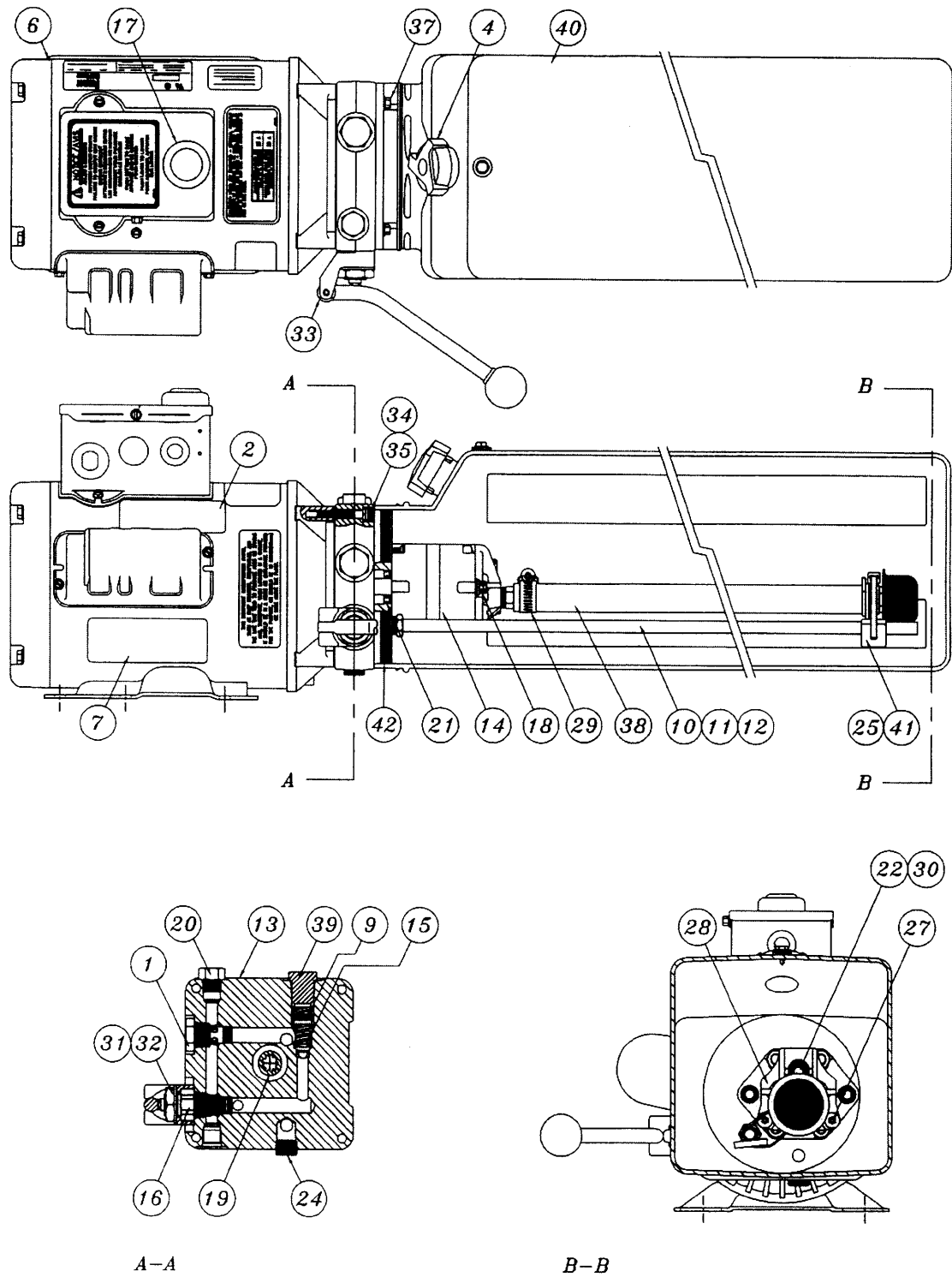
- NOTE:**
- (A) RUN POLYTUBE THROUGH HOLE IN BOTTOM OF SAFETY COVER BEFORE CONNECTING.
 - (B) RUN POLYTUBE UNDER TOWERS AND BETWEEN THE TWO CROSSMEMBER TUBES.
 - (C) CUT A SHORT (APPROXIMATELY 1½") PIECE OF POYTUBE FOR THIS CONNECTION.

8.6 AIR SYSTEM PARTS LIST

ITEM	QTY	DESCRIPTION	PART #
1	1	AIR VALVE & FILTER ASSY	2-1820
2	1	UNION "T"	6-2433
3	2	90 DEG ELBOW, 4mm POLYTUBE TO M5	6-1504
4	2	SAFETY DOG MACHINED	2-1793
5	2	ROD CLEVIS	1-2426
6	2	AIR CYLINDER	1-2425
7	2	SHOULDER BOLT, 5/16" x 3/4"	6-0591
8	2	SHOULDER BOLT, 5/16" x 1 1/4"	6-2491

PANZITTA SALES & SERVICE
72 George Avenue
Wilkes-Barre, PA 18705
570-822-6720 800-822-6720
www.panzittasales.com

8.7 POWER PACK:



8.8 POWER PACK PARTS LIST:

#6-2055 (AB-1381) 208-230V/1PH/60Hz

#6-2665 (AD-1044) 208-230V/1PH/60Hz

ITEM	QTY.	DESCRIPTION	PART #
1	1	VALVE CARTRIDGE CHECK	6-1087
2	1	LABEL INSTALLATION AUTOHOIST	6-2136
4	1	BREATHER CAP & BLADDER	6-1376
6	1	MOTOR AC 208-230V. 2HP/1PH/60Hz, BLK	6-2139
	1	MOTOR AC 208-230V. 2HP/3PH/60Hz, BLK	6-1079
7	1	LABEL WARNING AUTOHOIST	6-2149
9	1	SPRING 0.480" x 0.063" x 0.42" COMP	6-2151
10	1	RETURN HOSE 3/8" OD x 21.5"	6-2152
11	1	COMPRESSION TUBE NUT	6-2153
12	1	COMPRESSION TUBE SLEEVE	6-2154
13	1	ENDHEAD UNIVERSAL AUTOHOIST	6-2155
14	1	PUMPASSY 2.5 CC/REV. SHORT SPLINE	6-1958
15	1	RELIEF ASSEMBLY FIXED 190 BAR	6-1319
16	1	VALVE CARTRIDGE RELEASE MANUAL	6-0880
17	1	WIRING ASSEMBLY AC 1PH FENNER	6-2156
18	2	BOLT 5/16"-24 x 3.00" TORX G8	6-1090
19	1	COUPLING SAE 9T-20/40 1.260"	6-0774
20	1	PLUMBING PLUG 9/16" SAE	6-2157
21	1	SEAL SHAFT 0.500" x 1.00" x 0.25"	6-2158
22	1	WASHER 0.338" x 0.625" x 0.060" STEEL	6-2159
24	1	PLUMBING PLUG 3/8" NPT	6-2161
25	1	PLUMBING MAGNET	6-2162
27	2	SCREW TAPTITE M6 x 1.0 12MM TORX	6-2164
28	1	COVER ASSY SUCTION	6-2165
29	1	PLUMBING CLAMP HOSE ADJ. INLET	6-2166
30	1	BOLT 5/16"-18 x 1.00" SHCS	6-1392
31	1	NUT 3/4"-16 x 1" HEX x 0.250" STEEL	6-2167
32	1	WASHER 3/4" INT. TOOTH LOCK	6-2168
33	1	BRACKET - HANDLE ASSY REL BLACK	6-0776
34	4	BOLT M6 x 1.0 35MM SOC HD	6-2169
35	4	WASHER 1/4" LOCK HI-COLLAR	6-2170
37	4	BOLT #12-24 x 0.50" HEX WSHRHD	6-1091
38	1	PLUMBING ASSY INLET 17.24 (3)	6-0786
39	1	RELIEF VALVE CAP ASSEMBLY	6-1089
40	1	TANK PLASTIC 6.7 OS 22.50" BLK	6-1399
41	1	CABLE TIE 8" LONG WHITE	6-1846
42	1	O-RING 2-348 BUNA	6-0875

PANZITTA SALES & SERVICE
72 George Avenue
Wilkes-Barre, PA 18705
570-822-6720 800-822-6720
www.panzittasales.com