

PANZITTA SALES & SERVICE
72 George Avenue
Wilkes-Barre, PA 18705
570-822-6720 800-822-6720
www.panzittasales.com



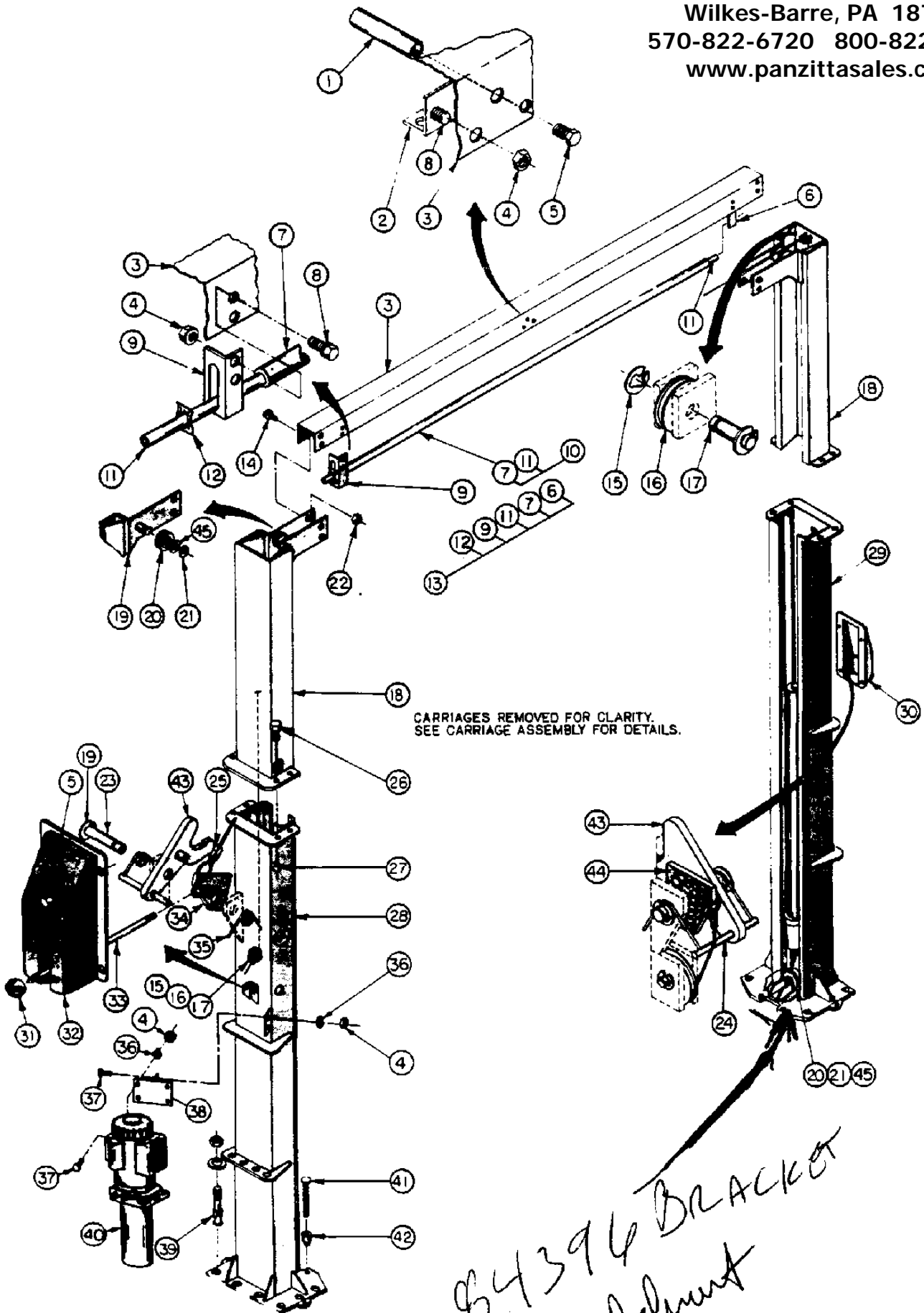
**PARTS LISTS
FOR
SYMMETRIC
TWO POST LIFT
MODELS AO 7, 7A
AO 9, 9B, AND APO 7,
ART, & ARTO 7**

0/5

AMMCO LIFTS
WACKER PARK
NORTH CHICAGO, IL 60064 U.S.A.
(615) 641 - 7333 Customer Service #: (800) 688 - 6496

AO MECHANICAL

PANZITTA SALES & SERVICE
72 George Avenue
Wilkes-Barre, PA 18705
570-822-6720 800-822-6720
www.panzittasales.com



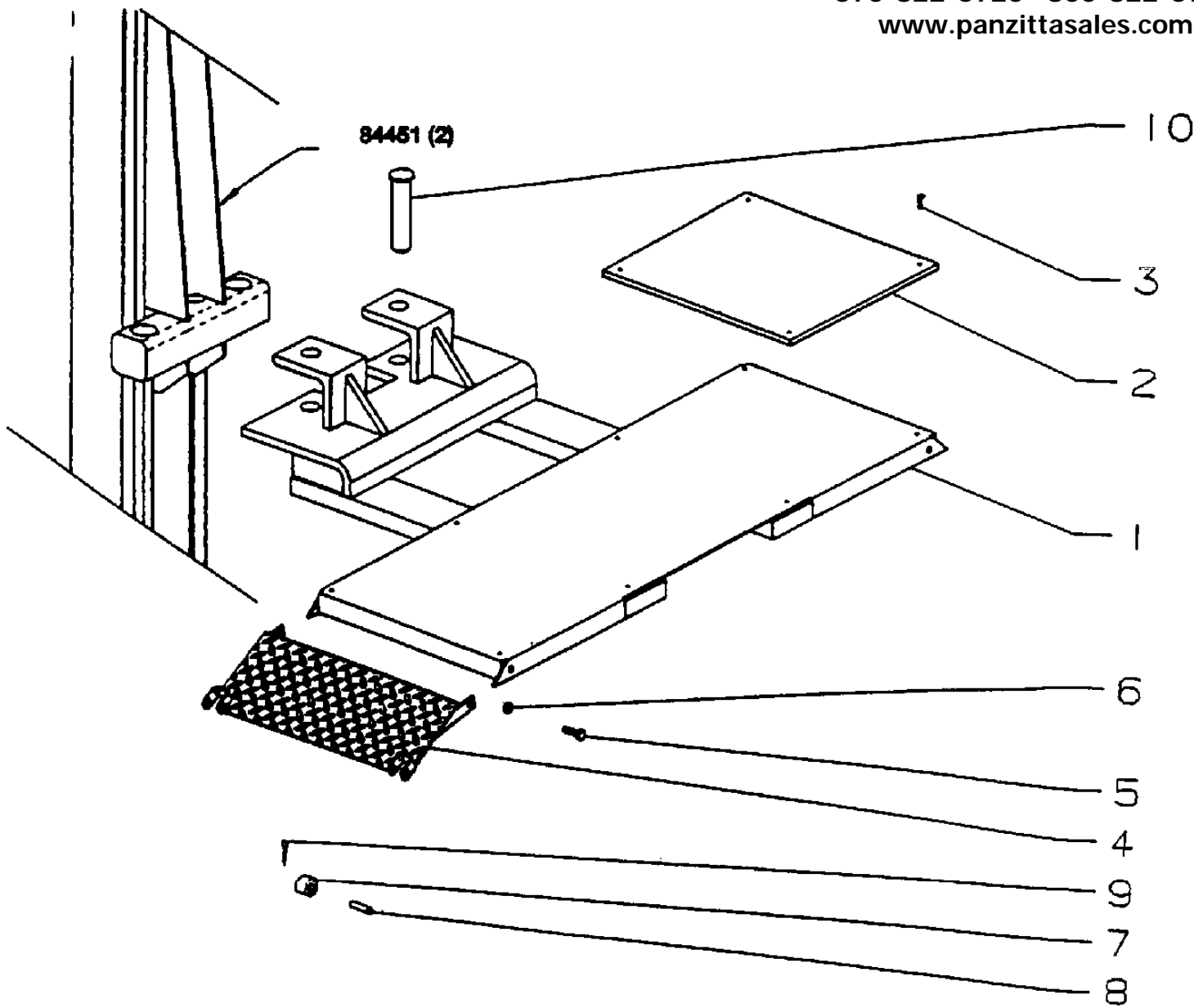
PANZITTA SALES & SERVICE
 72 George Avenue
 Wilkes-Barre, PA 18705
 570-822-6720 800-822-6720
 www.panzittasales.com

AO MECHANICAL

ITEM	PART NO.	QTY.	DESCRIPTION	ITEM	PART NO.	QTY.	DESCRIPTION
1	84121	1	Support, Cable	28	84424	1	Post, AO 7
2	82503	1	Bracket, Micro-Switch				Passenger Side
3	83958	1	Channel, Crossover		84525	1	Post, AO 9
4	100237	12	Nut, Hex 5/16" Self Locking		84438	1	Post, AO 7A, 9B
5	106301	10	Screw, Self-Tapping				Passenger Side
6	81861	1	Angle, Right Hand	29	84423	1	Post, AO 7
7	81863	1	Tubing, Bumper				Driver Side
8	100234	6	Screw, Hex 5/16"		84523	1	Post, AO 9
9	81860	1	Angle, Left Hand				Driver Side
10	100102	2	Nut, Hex 5/16"		84437	1	Post, AO 7A, 9B
11	82856	1	Pipe, Bumper				Driver Side
12	100224	2	Washer	30	83925	1	Guard, Driver Side
13	81483	2	Screw, Hex	31	320	1	Knob, Ball
14	100238	8	Screw, 3/8" Washer head	32	83924	1	Guard, Passenger Side
15	27112	8	E-Ring	33	83906	1	Handle; Release
16	83903	4	Pulley, Idler	34	84590	1	Sear
17	83904	4	Shaft, Pulley	35	100344	4	Spring, Torsion
18	83944	2	Extension, Post	36	100159	6	Lockwasher
19	100343	4	Ring, Retaining	37	100198	6	Screw, Hex
20	84395 84395	6	Idler Equalizing Pulley Assembly	38	84434	1	Bracket, Mounting
21	100358	6	Ring, Retaining	39	80362	16	Bolt, Anchor
22	100239	8	Nut, Hex 3/8" Self Locking	40	83009	1	Power Unit , 1 Phase
23	83908	2	Shaft, Latch		83010	1	Power Unit , 3 Phase
24	83911	2	Rod-Spring	41	84457	4	Rod, Release
25	100357	1	Clamp, Cable	42	84389	4	Mount, Rubber
26	80453	8	Screw, Hex 1/2" Washer head	43	84837	2	Latch Assembly
27	100039	8	Nut, Hex 1/2" Washer head	44	84573	1	Safety Release Cable Assembly
				45	100359	6	Washer
					84837		Latch Assembly Kit
							<i>Consists of:</i>
							one (1) 83911 Rod-Spring
							one (1) 84836 Latch Assy.
					82803	2	Hydraulic Cylinders

APO 7 MECHANICAL

PANZITTA SALES & SERVICE
 72 George Avenue
 Wilkes-Barre, PA 18705
 570-822-6720 800-822-6720
 www.panzittasales.com

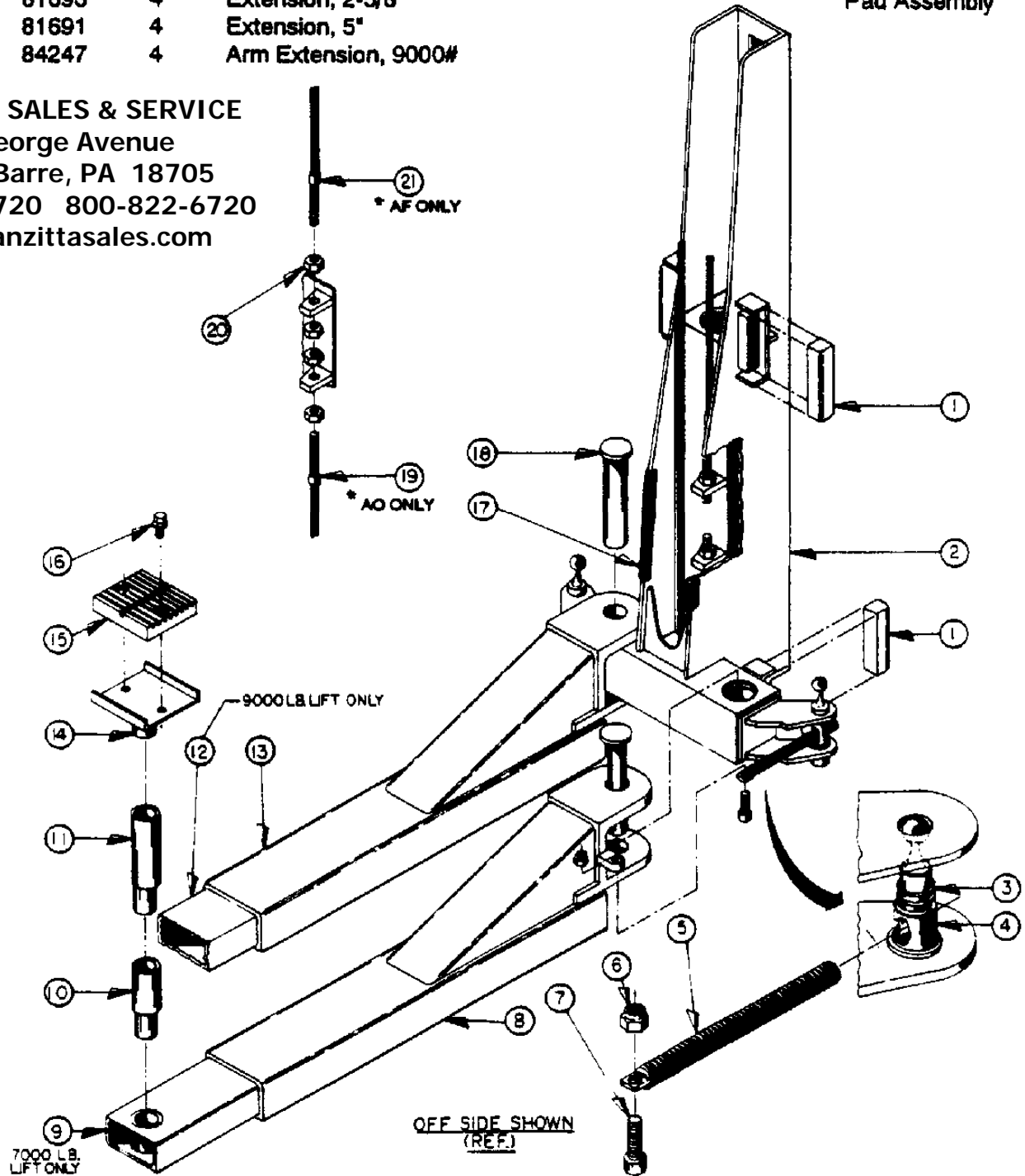


ITEM	PART NO.	QTY.	DESCRIPTION
1	84408	2	Weldment, Support
2	27480	4	Pad
3	27041	16	Screw, Self-Tapping
4	82636	4	Ramp
5	80144	8	Screw, Hex
6	80193	8	Locknut
7	84712	8	Wheel
8	21572	8	Pin
9	6299	8	Pin, Cotter
10	84451	4	Carriage

AF & AO CARRIAGE ASSEMBLY

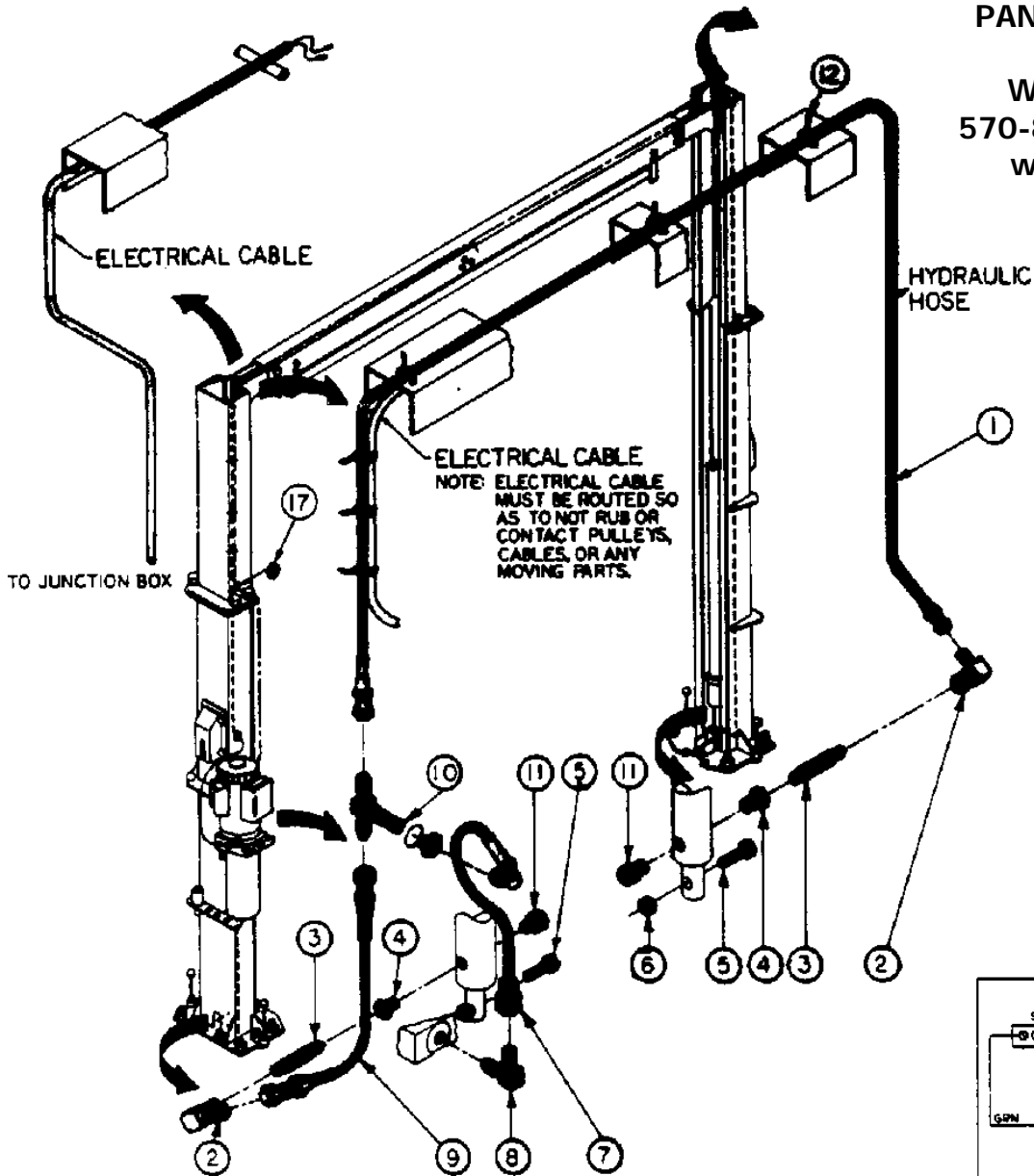
ITEM	PART NO.	QTY. PER LIFT	DESCRIPTION	ITEM	PART NO.	QTY. PER LIFT	DESCRIPTION
1	82816	8	Bar, Slide	13	84250	2	Arm, Driver Rear
2	84454	2	Carriage	14	82361	4	Holder, Pad
3	84387	4	Spring	15	82365	4	Pad, Rubber
4	84386	4	Thread Segment	16	100313	8	Screw, Hex
5	84186	4	Rod, Lock	17	84572	4	Guard, Door
6	11273	4	Nylock 3/8"	18	84411	4	Pin
7	100356	4	Screw, Hex 3/8" x 1-3/8"	19	84916	2	Cable, Equalizer-AO
8	84249	2	Arm, Driver Front Passenger Rear	20	100073	8	Nut, Hex
9	84252	4	Arm Extension, 7000#	21	82740	2	Cable, Equalizer-AF
10	81693	4	Extension, 2-5/8"		82591	4	Item 14, 15, 16 - Pad Assembly
11	81691	4	Extension, 5"				
12	84247	4	Arm Extension, 9000#				

PANZITTA SALES & SERVICE
 72 George Avenue
 Wilkes-Barre, PA 18705
 570-822-6720 800-822-6720
 www.panzittasales.com

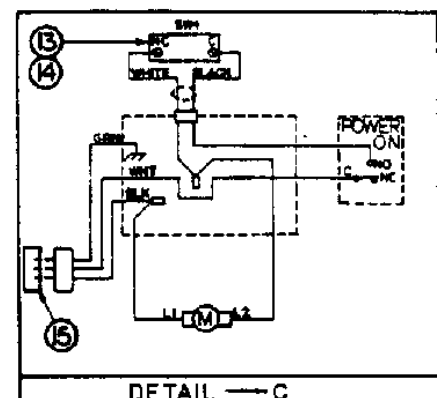
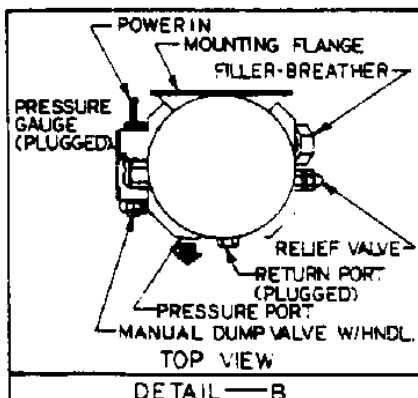
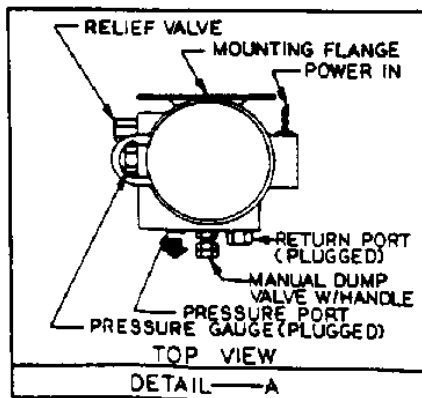
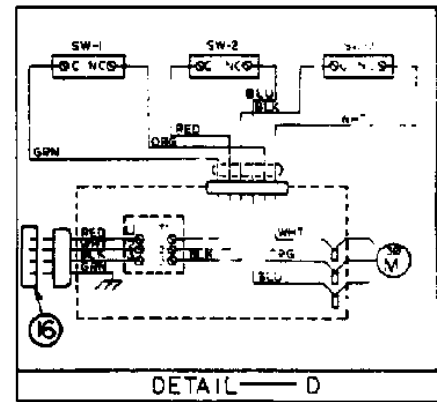


AO HYDRAULIC AND ELECTRICAL

PANZITTA SALES & SERVICE
 72 George Avenue
 Wilkes-Barre, PA 18705
 570-822-6720 800-822-6720
 www.panzittasales.com



- DETAIL A - WEBSTER PUMP
- DETAIL B - MTE PUMP
- DETAIL C - 1 Ø WIRING DIAGRAM
- DETAIL D - 3Ø WIRING DIAGRAM



PANZITTA SALES & SERVICE
72 George Avenue
Wilkes-Barre, PA 18705
570-822-6720 800-822-6720
www.panzittasales.com

AO HYDRAULIC AND ELECTRICAL

ITEM	PART NO.	QTY.	DESCRIPTION
1	84545	1	Hose Assembly, Crossover
2	100227	2	Elbow
3	100341	2	Nipple, Pipe
4	80992	2	Adaptor, Female
5	100312	2	Screw, Hex
6	100068	2	Locknut
7	84547	1	Hose Assembly
8	82056	1	S.A.E. Elbow Adaptor
9	84543	1	Hose Assembly
10	100355	1	Tee, Bulkhead W/Nut
11	100026	2	Plug
12	100004	6	Ty -Wrap
13	80282	1	Microswitch, 1 Phase
	80282	3	Microswitch, 3 Phase
14	81910	1	Cover, Microswitch, 1 Phase
	81910	3	Cover, Microswitch, 3 Phase
15	80136	1	Plug, Female, 1 Phase
16	80140	1	Plug, Female, 3 Phase
17	84126	1	Grommet

AO 9 OS.max

ALIGNMENT RACK - TWO POSTS

PANZITTA SALES & SERVICE

72 George Avenue

Wilkes-Barre, PA 18705

570-822-6720 800-822-6720

www.panzittasales.com

ITEM	PART NO.	QTY.	DESCRIPTION	AMMCO 2290	HUNTER D-1	FMC
1	84411	4	Pin	X	X	X
2	28170	2	Adaptor, Bolster	X		
	84462	2	Adaptor, Bolster		X	X
3	26354	8	Bolt, 7/8-9UNC x 5-1/2 GDS	X		
	100349	6	Bolt, 1-8UNC x 5-1/2 GDS		X	X
4	20939	8	Washer	X		
	21014	6	Washer		X	X
5	20769	8	Washer	X		
6	26359-03	1	Cross Beam	X		
7	26355	2	Plate, Nut	X		
	25179	6	Nut, Hex 1"-8 UNC		X	X
8	83889	2	Support, Outboard	X	X	X
9	80362	8	Bolt, Anchor	X	X	X
10	100347	4	Bolt, 1"-8 UNC x 2" GD.5	X	X	X
11	100346	4	Lock Washer, 1"	X	X	X

X Denotes part's application for the equipment listed.

