

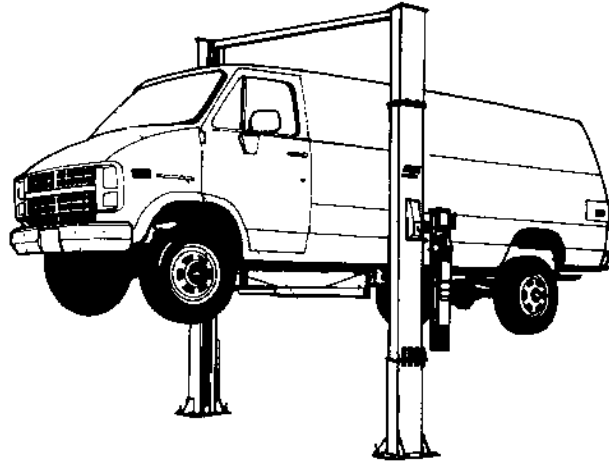
**COATS  
BADA**

**AMMCO**

PANZITTA SALES & SERVICE  
72 George Avenue  
Wilkes-Barre, PA 18705  
570-822-6720 800-822-6720  
[www.panzittasales.com](http://www.panzittasales.com)

**AO**

# AMMCO Two Post Lift



*Parts Identification*

***HENNESSY INDUSTRIES, INC.***

P. O. Box 3002, 1601 J. P. Hennessy Dr., LaVergne, TN 37086-1982 615/641-7533 800/688-6359

HENNESSY INDUSTRIES, INC. Manufacturer of AMMCO®, COATS® and BADA® Automotive Service Equipment and Tools.

## Parts Identification

The following pages illustrate and identify the component parts of the Model AO, APO, and ART Two Post Lift.

A complete parts breakdown with exploded view illustrations is provided to facilitate the ordering of spare or replacement parts.

NEW part #  
84916

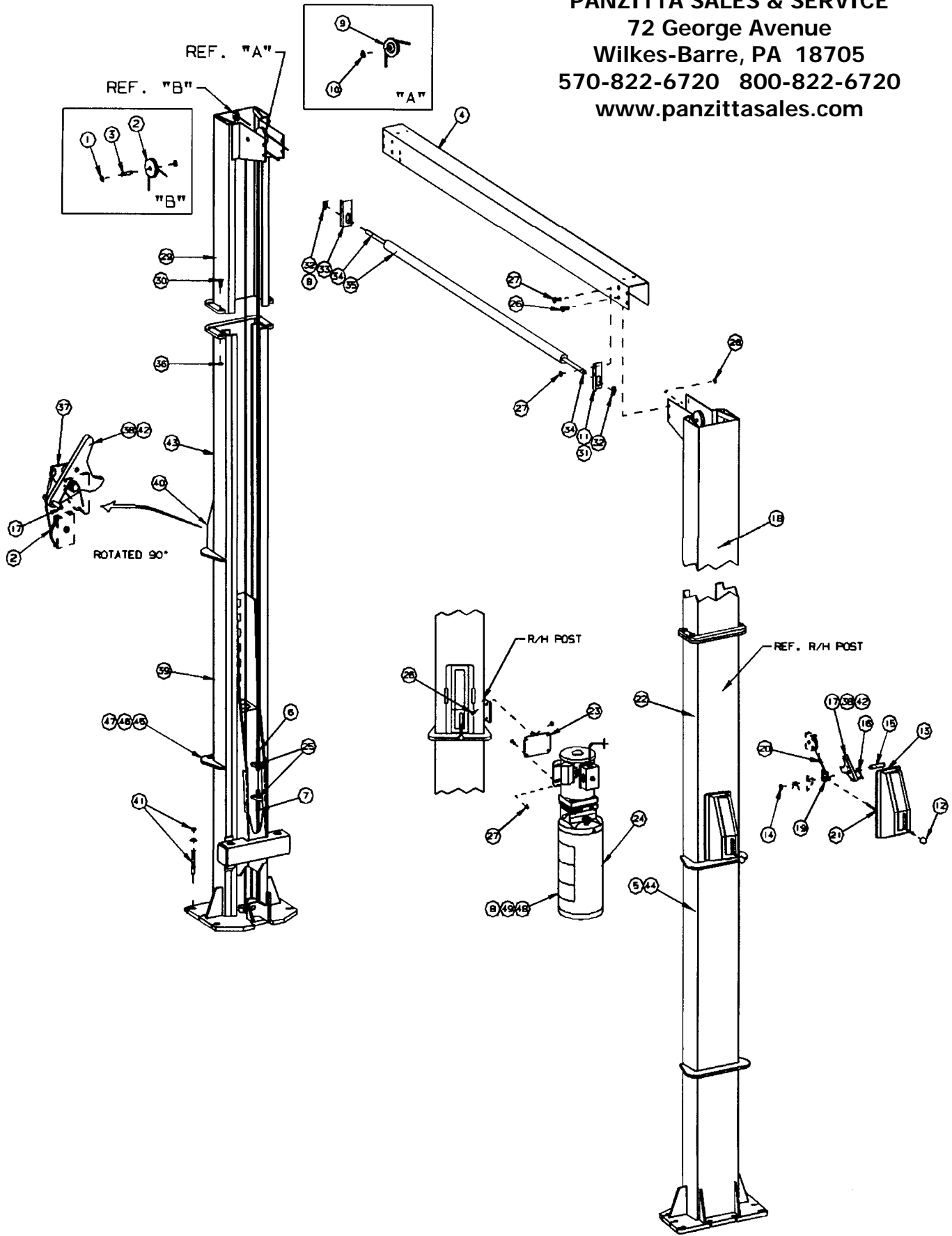
## AO Mechanical Parts Identification

ITEM	PART NO.	QTY.	DESCRIPTION
1	27112	8	E-Ring
2	83903	4	Pulley, Idler
3	83904	4	Shaft, Idler
4	83958	1	Channel, Crossover
5	84855	1	Decal, USA
6	<del>84855</del>	1	Cable, Equalizer
7	<del>84855</del>	1	Cable, Equalizer
8	81204	1	Decal, Safety Tips
9	84938	6	Pulley
10	100358	6	Ring, Retaining
11	85633	1	Angle, Right Hand
12	320	1	Knob, Ball
13	83924	1	Guard, Pump Side
14	27112	4	E-Ring
15	83908	4	Shaft, latch
16	100344	4	Spring, Torsion
17	83911	2	Rod, Spring
18	83944	1	Post, Extension
19	84590	1	Sear, Cable
20	100357	1	Clamp, Cable
21	83906	1	Handle, Release
22	85380	1	Post, Pump Side
23	84434	1	Bracket, Power Unit
24	85328	1	Power Unit Assy.
25	100073	8	Nut, Cable
26	100234	12	Screw, Hex
27	100237	12	Nut, Hex
28	100239	8	Nut, Hex
29	83944	1	Post Extension
30	80453	8	Bolt, Hex
31	84885	1	Kit, Bumper
32	100362	2	Nut, Push-On
33	85632	1	Angle, Left Hand
34	84856	1	Pipe, Bumper
35	100363	1	Tubing, Foam
36	100039	8	Nut, Hex
37	84573	1	Cable, Safety Release
38	100106	2	Roll Pin
39	85381	1	Post, Offside
40	83925	1	Guard, Offside
41	80362	16	Bolt, Anchor w/Nut, Washer
42	84836	2	Latch Assy.
43	11144	2	Logo, AMMCO
44	85614	1	Plate, Serial
45	84864	1	Decal, CAUTION
46	84862	1	Decal, WARNING
47	84863	1	Decal, NOTICE
48	80142	1	Decal, IMPORTANT
49	83928	1	Decal, LATCH

**PANZITTA SALES & SERVICE**  
72 George Avenue  
Wilkes-Barre, PA 18705  
570-822-6720 800-822-6720  
www.panzittasales.com

**AO Mechanical Parts Identification Diagram**

**PANZITTA SALES & SERVICE**  
72 George Avenue  
Wilkes-Barre, PA 18705  
570-822-6720 800-822-6720  
[www.panzittasales.com](http://www.panzittasales.com)

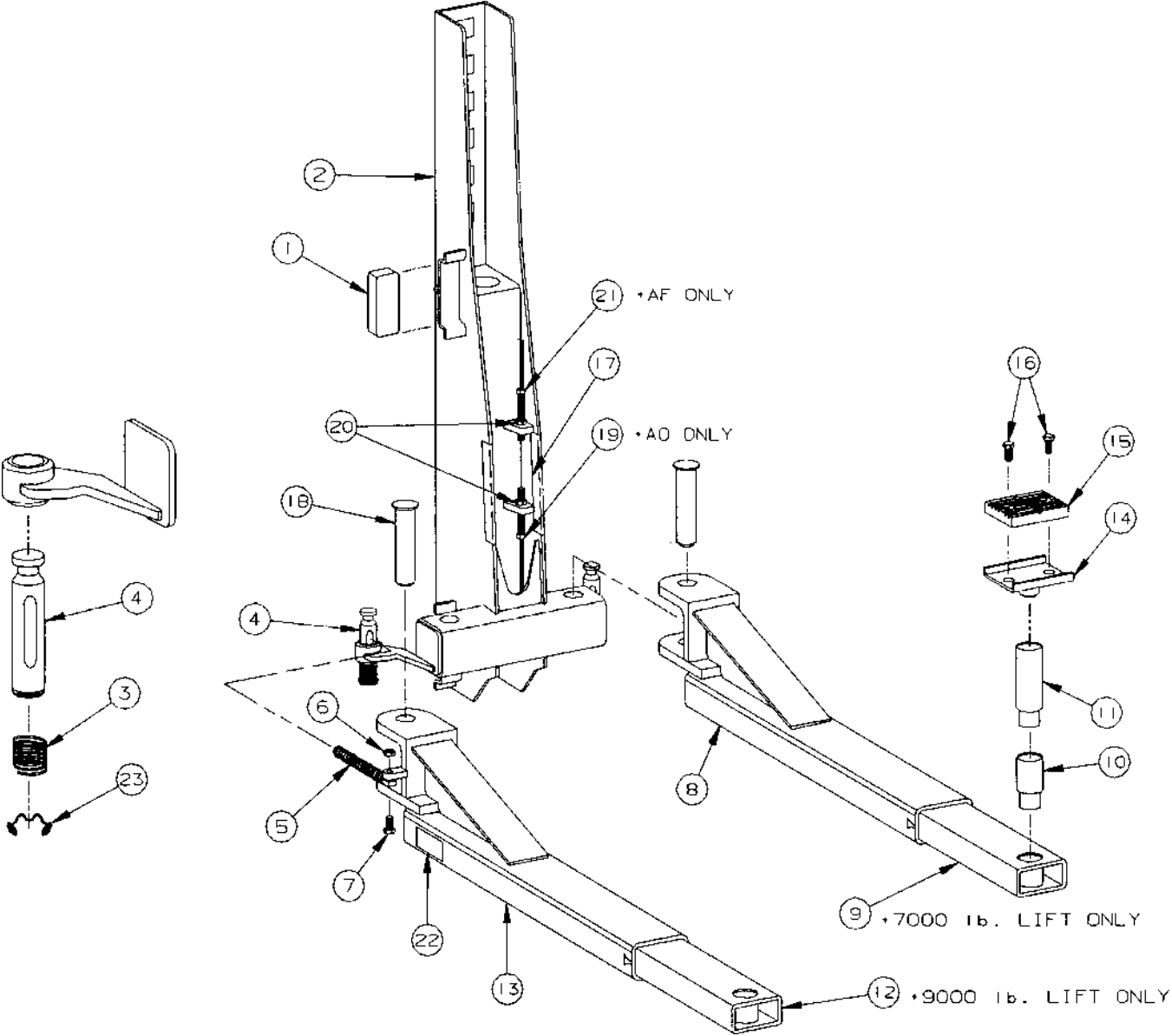


**PANZITTA SALES & SERVICE**  
 72 George Avenue  
 Wilkes-Barre, PA 18705  
 570-822-6720 800-822-6720  
 www.panzittasales.com

**AO Carriage Assembly Parts Identification**

ITEM	PART NO.	QTY.	DESCRIPTION
1	84926	8	Block, Slide
2	85331	2	Carriage
3	85329	4	Spring
4	85327	4	Segment, Threaded
5	84186	4	Rod, Lock
6	81082	4	Nylock Nut
7	100356	4	Screw, Hex, 3/8" x 1-3/8"
8	85436	2	Arm, Right Hand
9	84252	4	Arm Extension, 7000#
10	27984	4	Extension, 2-5/8"
11	27982	4	Extension, 5"
12	84247	4	Arm Extension, 9000#
13	85435	2	Arm, Left Hand
14	82361	4	Holder, Pad
15	82365	4	Pad, Rubber
16	100313	8	Screw, Hex
17	84572	4	Guard, Door
18	84411	4	Pin
19	<del>████████</del>	2	Cable, Equalizer, AO Series - 84916
20	<del>████████</del>	2	Cable, Equalizer, AO-S Series - Short 11'6" High - 84916-5
21	<del>████████</del>	2	Cable, Equalizer, AF Series - 84892
22	28148	4	Decal, "Warning"
23	85328	4	Retaining Ring
---	82591	4	Pad Assembly (consists of items 14, 15 and 16)

AO Carriage Assembly Parts Identification Diagram



**AO Hydraulic and Electrical Parts Identification**

ITEM NO.	PART QTY.	DESCRIPTION
1	84934	1 Hose Assembly
2	100312	2 Screw, Hex
3	100068	2 Locknut
4	84935	1 Hose Assembly
5	84933	1 Hose Assembly
6	100355	1 Tee, Bulkhead w/Nut
7	100026	2 Plug
8	100004	6 Ty-Wrap
9	84126	1 Grommet
10	82803	2 Cylinder, Hydraulic
11	100312	2 Screw, Hex
12	85615	1 Bracket, Mounting
13	100009	2 Screw, Hex
14	85611	1 Switch Box, Single-Phase
15	85630	1 Bushing, Strain Relief
16	85629	1 Box Cover, Three-Phase
17	80282	1 Microswitch, 1 Phase
18	85628	1 Box Cover, Single-Phase
19	85631	1 Switch Box, Three-Phase

**Lift Model AO**

Motor Part No.: 82957-2 (single-phase)  
 Capacity: 9,000 lbs.  
 Relief Valve Part No.: 85610  
 Limit Switch: Yes  
 Max. Current Draw: 19 amps

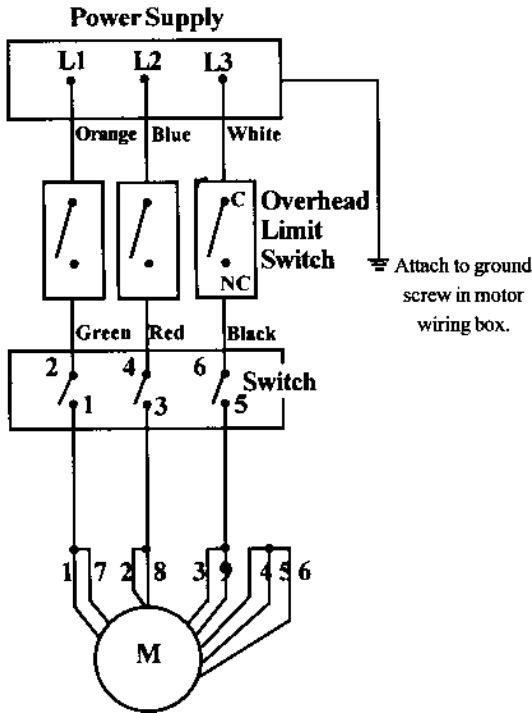
Motor Part No.: 82958-2 (three-phase)  
 Capacity: 9,000 lbs.  
 Relief Valve Part No.: 85610  
 Limit Switch: Yes  
 Max. Current Draw: 12 amps

**Lift Model APO**

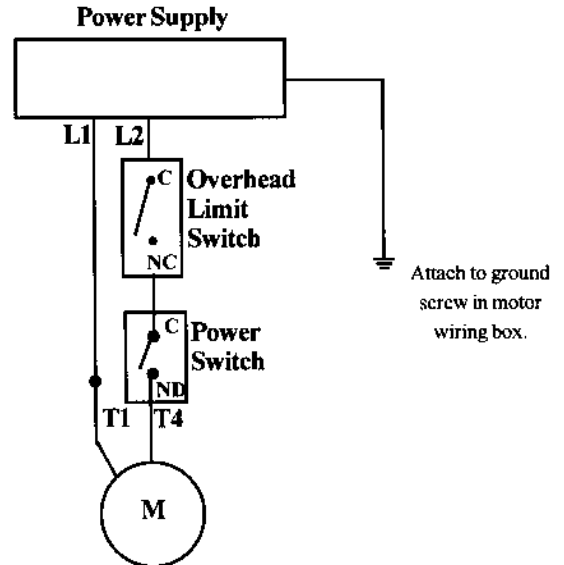
Motor Part No.: 82957-4 (single-phase)  
 Capacity: 9,000 lbs.  
 Relief Valve Part No.: 85609  
 Limit Switch: Yes  
 Max. Current Draw: 19 amps

Motor Part No.: 82958-4 (three-phase)  
 Capacity: 8,000 lbs.  
 Relief Valve Part No.: 85609  
 Limit Switch: Yes  
 Max. Current Draw: 12 amps

**Three-Phase**



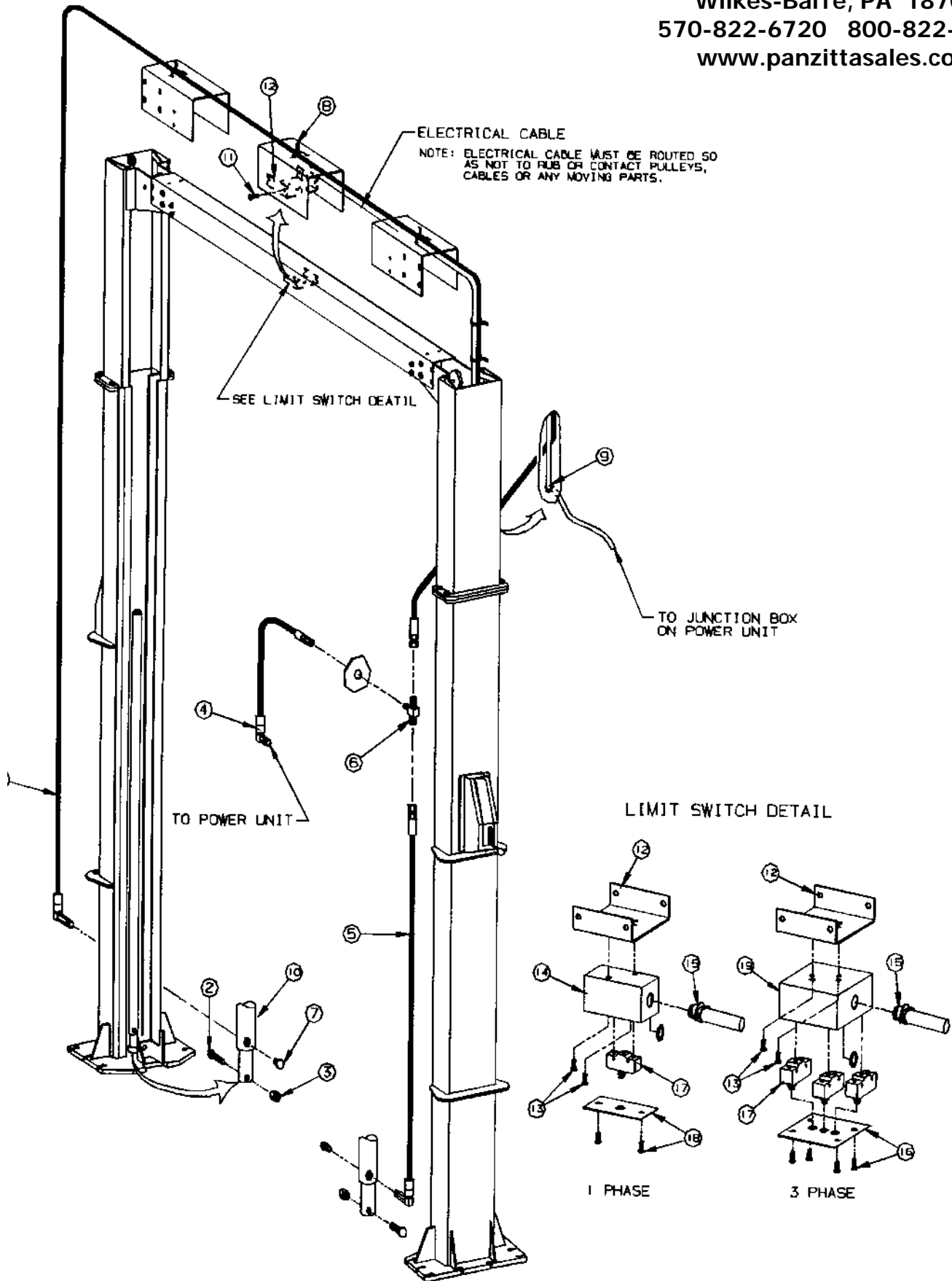
**Single-Phase**



**PANZITTA SALES & SERVICE**  
 72 George Avenue  
 Wilkes-Barre, PA 18705  
 570-822-6720 800-822-6720  
 www.panzittasales.com

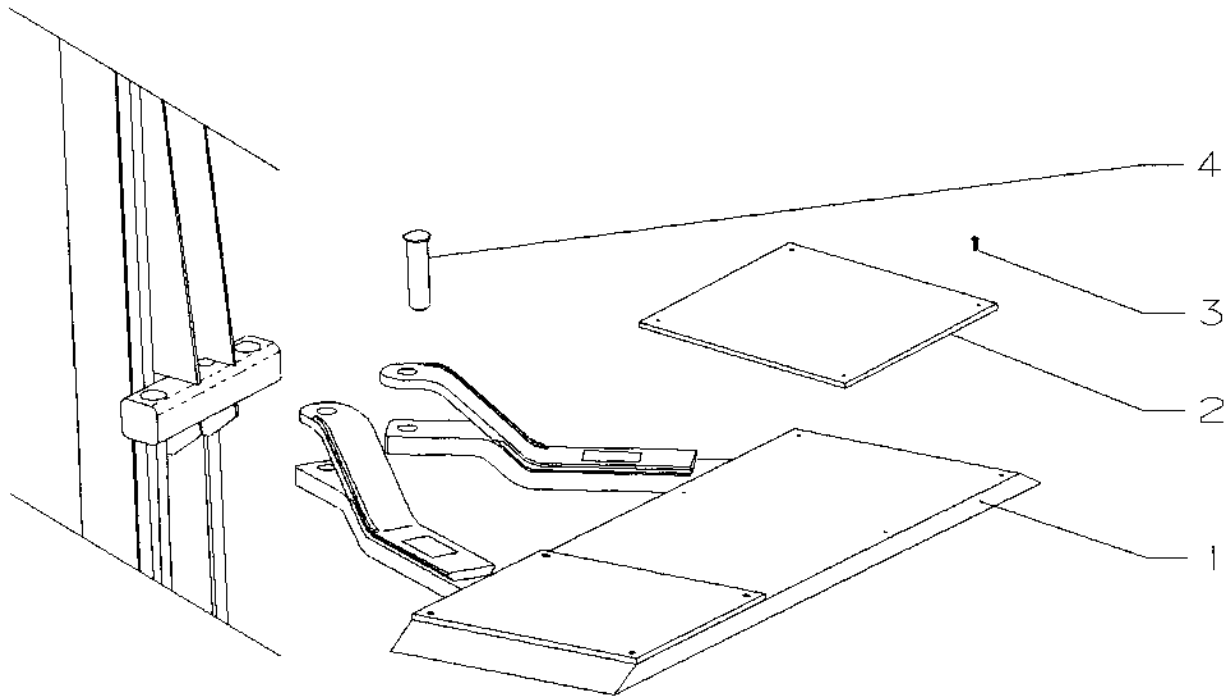
**AO Hydraulic and Electrical Parts Identification Diagram**

**PANZITTA SALES & SERVICE**  
 72 George Avenue  
 Wilkes-Barre, PA 18705  
 570-822-6720 800-822-6720  
 www.panzittasales.com



**PANZITTA SALES & SERVICE**  
 72 George Avenue  
 Wilkes-Barre, PA 18705  
 570-822-6720 800-822-6720  
 www.panzittasales.com

**APO-8 Mechanical Parts Identification**



ITEM	PART NO.	QTY.	DESCRIPTION
1	85159	1	Weldment
2	27480	2	Pad
3	27041	8	Screw
4	84411	2	Pin, Carriage

AO 9 NEW STYLE.max

### Alignment Rack Parts Identification (Two Post)

ITEM	PART NO.	QTY.	DESCRIPTION	AMMCO 2290	HUNTER D-1	FMC
1	84411	4	Pin	X	X	X
2	28170	2	Adapter, Bolster	X		
	84462	2	Adapter, Bolster		X	X
3	26354	8	Bolt, 7/8-9UNC x 5½ GDS	X		
	100349	6	Bolt, 1-8UNC x 5½ GDS		X	X
4	20939	8	Washer	X		
	21014	6	Washer		X	X
5	20769	8	Washer	X		
6	26539-03	1	Cross Beam	X		
7	26355	2	Plate, Nut	X		
	25179	6	Nut, Hex 1"-8 UNC		X	X
8	83889	2	Support, Outboard	X	X	X
9	80362	8	Bolt, Anchor	X	X	X
10	100347	4	Bolt, 1"-8 UNC x 2" GD.5	X	X	X
11	100346	4	Lock Washer, 1"	X	X	X

X - Indicates part used with this equipment.

**PANZITTA SALES & SERVICE**  
 72 George Avenue  
 Wilkes-Barre, PA 18705  
 570-822-6720 800-822-6720  
 www.panzittasales.com

