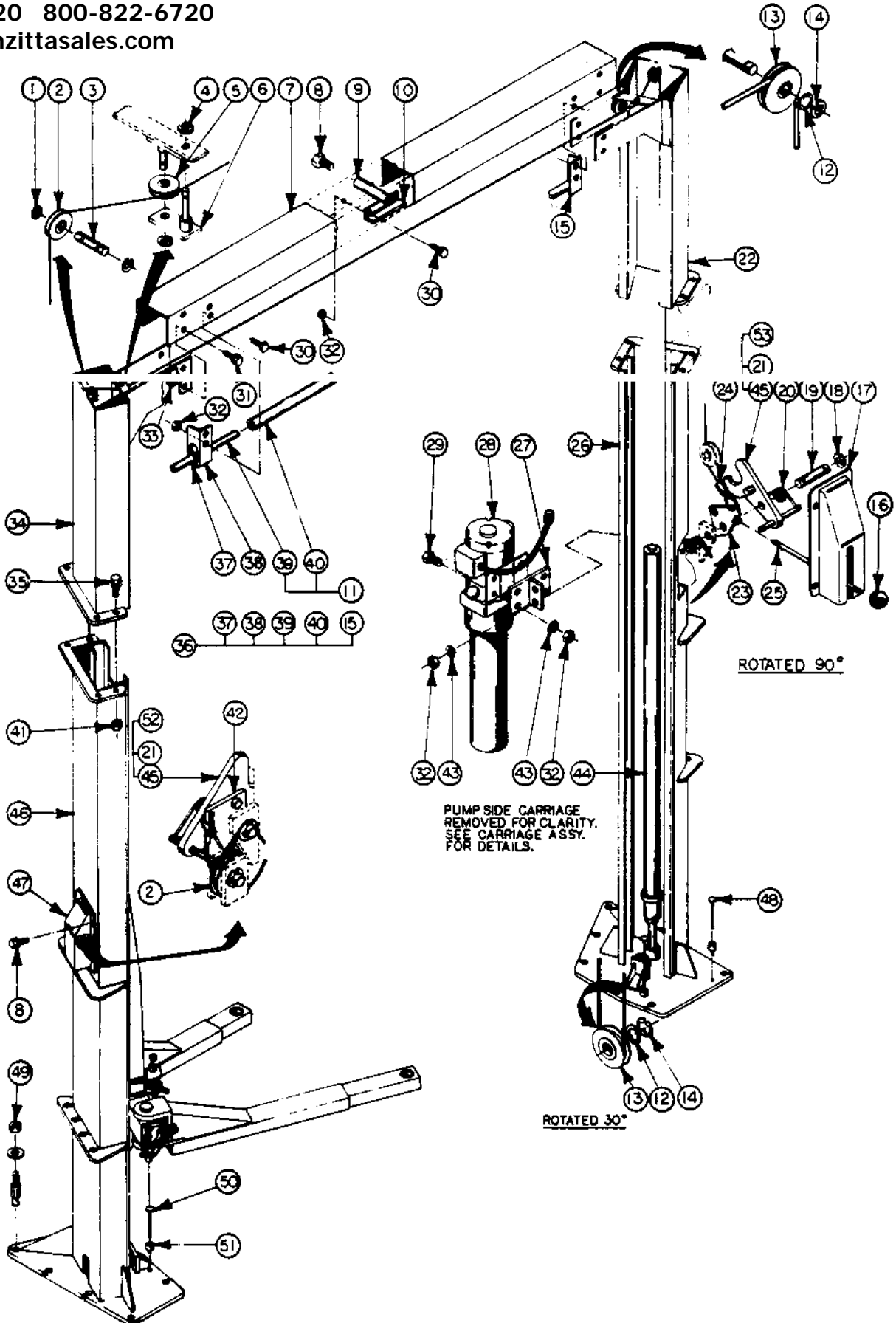


PANZITTA SALES & SERVICE
72 George Avenue
Wilkes-Barre, PA 18705
570-822-6720 800-822-6720
www.panzittasales.com



**PARTS LISTS
FOR
ASYMMETRIC
TWO POST LIFT
MODEL AL 7**

AMMCO LIFTS
WACKER PARK
NORTH CHICAGO, IL 60064 U.S.A.
(615) 641 - 7533 Customer Service #: (800) 688 - 6496



PANZITTA SALES & SERVICE

72 George Avenue

Wilkes-Barre, PA 18705

570-822-6720 800-822-6720

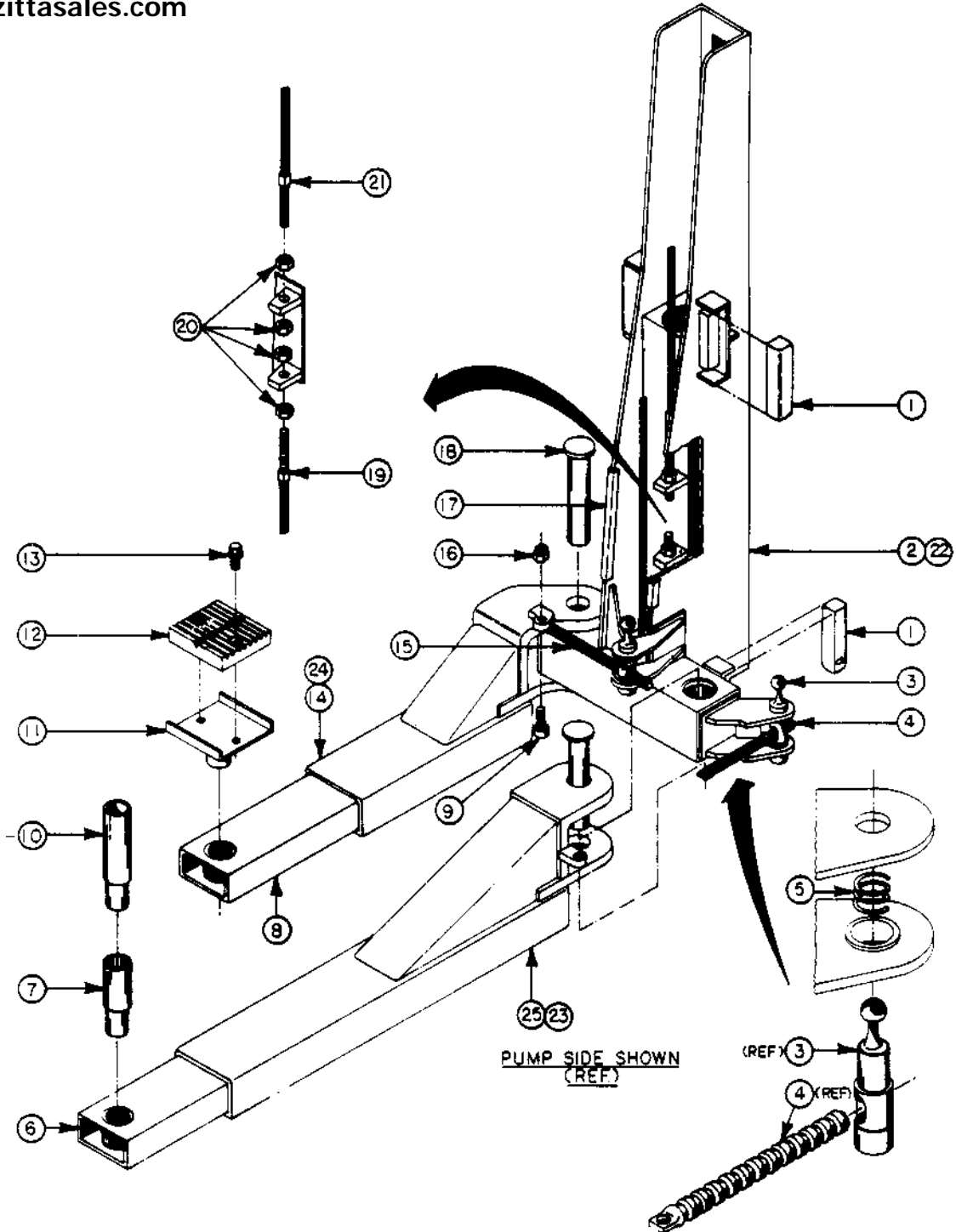
www.panzittasales.com

AL MECHANICAL

ITEM	PART NO.	QTY.	DESCRIPTION	ITEM	PART NO.	QTY.	DESCRIPTION
1	27112	8	E-Ring	28	83009	1	Power Unit ,1 Phase
2	83903	4	Pulley, Idler		83010	1	Power Unit, 3 Phase
3	83904	4	Shaft, Pulley	29	100198	6	Screw, Hex
4	100350	2	E-Ring	30	100234	6	Screw, Hex 5/16"
5	14710	2	Pulley, Idler	31	100238	8	Screw, 3/8"
6	84133	2	Retainer, Idler				Washer head
7	83958	1	Channel, Crossover	32	100237	12	Nut, Hex 5/16"
8	106301	10	Screw, Self-Tapping				Self Locking
9	84121	1	Cable, Support	33	100239	8	Nut, Hex 3/8"
10	82503	1	Bracket, Micro-switch				Self Locking
11	100102	2	Nut, Hex 5/16"	34	84065	1	Extension, Post,
12	100359	6	Washer				Driver Side
13	84395	6	Equalization Pulley Assembly	35	80453	8	Screw, Hex, 1/2"
14	100358	6	Ring, Retaining				Washer head
15	81861	1	Angle, Right Hand	36	81483	2	Screw, Hex
16	320	1	Knob, Ball	37	100224	2	Washer
17	83924	1	Guard, Pump Side	38	81860	1	Angle, Left Hand
18	100343	4	Ring, Retaining	39	82856	1	Pipe, Bumper
19	83908	2	Shaft, Latch	40	81863	1	Tubing, Bumper
20	100344	4	Spring, Torsion	41	100039	8	Nut, Hex 1/2"
21	83911	1	Rod-Spring				Washer head
22	84064	1	Extension, Post, Passenger Side	42	84573	1	Safety Release Cable Assembly
23	84590	1	Sear	43	100159	8	Lockwasher
24	100357	1	Clamp, Cable	44	82803	2	Cylinder
25	83906	1	Handle, Release	45	84836	2	Latch Assembly
26	84426	1	Post, Passenger Side	46	84425	1	Post, Driver Side
27	84434	1	Bracket, Mounting	47	83925	1	Guard, Driver Side
				48	84457	2	Release Rod, Short
				49	80362	14	Bolt, Anchor
				50	84458	2	Release Rod, Long
				51	84389	4	Rubber Mount
				52	84837	1	Latch Assembly Kit
							<i>Consists of:</i>
							one (1) 83911 Rod-Spring
							one (1) 84836 Latch Assy
				53	84862	1	Decal, Warning
				54	84863	1	Decal, Warning
				55	84864	1	Decal, Warning
				56	11144	1	Decal, AMMCO
				57	80589	1	Shim Kit

AL CARRIAGE ASSEMBLY

PANZITTA SALES & SERVICE
72 George Avenue
Wilkes-Barre, PA 18705
570-822-6720 800-822-6720
www.panzittasales.com



PANZITTA SALES & SERVICE
 72 George Avenue
 Wilkes-Barre, PA 18705
 570-822-6720 800-822-6720
 www.panzittasales.com

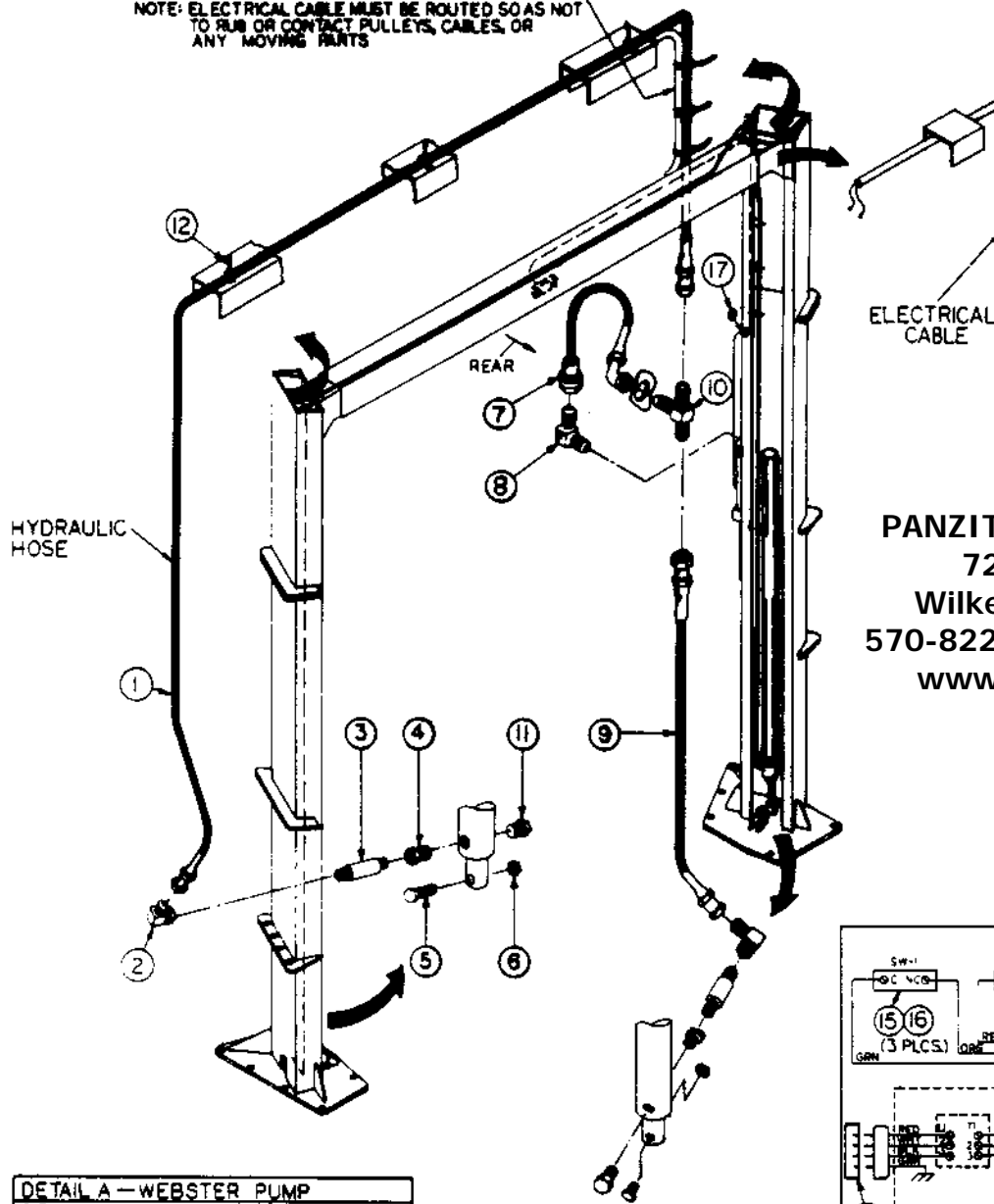
AL CARRIAGE ASSEMBLY

ITEM	PART NO.	QTY.	DESCRIPTION
1	82816	8	Bar, Slide
2	84452	1	Carriage, Passenger Side
3	84386	4	Segment, Thread
4	84186	2	Rod, Lock
5	84387	4	Spring
6	84252	2	Arm Extension, Rear
7	81693	4	Extension, 2 5/8"
8	84218	2	Arm Extension, Front
9	100356	4	Screw, Hex 3/8" x 1 3/8"
10	81691	4	Extension 5"
27981 → 11	84411	4	Holder, Pad
12	82365	4	Pad, Rubber
13	100313	8	Screw, Hex
14	84203	1	Arm, Front, ← Passenger Side
15	84415	2	Lock Rod, Long
16	11273	4	Nylock 3/8"
17	84572	4	Guard, Door
18	84411	4	Pin
84713 — 19	84411	1	Cable, Short-Front
20	100157	8	Nut
84714 — 21	84411	1	Cable, Long-Rear
22	84453	1	Carriage, Driver Side
23	84242	1	Arm, Rear, Passenger Side
24	84221	1	Arm, Front, Driver Side
25	84237	1	Arm, Rear, Driver Side

AL7 O.S..max

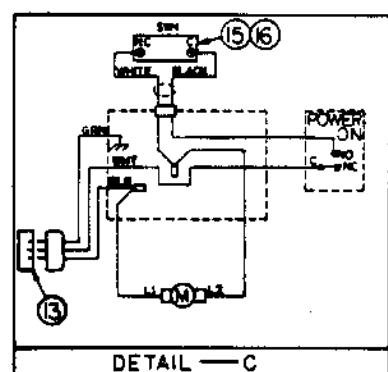
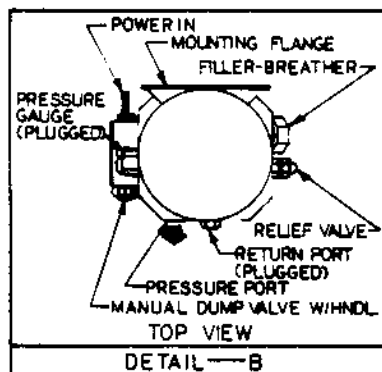
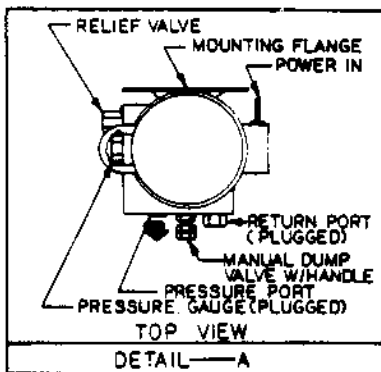
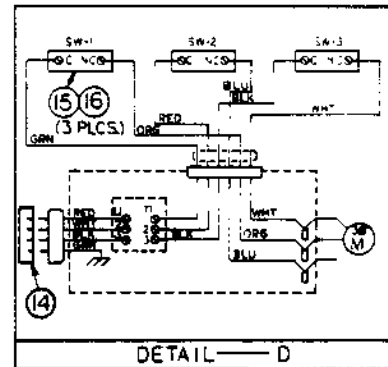
AL HYDRAULIC AND ELECTRICAL

ELECTRICAL CABLE
 NOTE: ELECTRICAL CABLE MUST BE ROUTED SO AS NOT TO RUB OR CONTACT PULLEYS, CABLES, OR ANY MOVING PARTS



PANZITTA SALES & SERVICE
 72 George Avenue
 Wilkes-Barre, PA 18705
 570-822-6720 800-822-6720
www.panzittasales.com

- DETAIL A - WEBSTER PUMP
- DETAIL B - MTE PUMP
- DETAIL C - 1 Ø WIRING DIAGRAM
- DETAIL D - 3 Ø WIRING DIAGRAM



PANZITTA SALES & SERVICE
72 George Avenue
Wilkes-Barre, PA 18705
570-822-6720 800-822-6720
www.panzittasales.com

AL HYDRAULIC AND ELECTRICAL

ITEM	PART NO.	QTY.	DESCRIPTION
1	84535	1	Hose Assembly
2	100227	2	Elbow
3	100341	2	Nipple, Pipe
4	80992	2	Adapter, Female
5	100312	2	Screw, Hex
6	100068	2	Locknut
7	84547	1	Hose Assembly
8	82056	1	S.A.E. Elbow Adapter
9	84543	1	Hose Assy.
10	100355	1	Tee, Bulkhead W/Nut
11	100026	2	Plug
12	100004	6	Ty -Wrap
13	80136	1	Plug, Female, 1 Phase
14	80140	1	Plug, Female, 3 Phase
15	80282	1	Overhead Microswitch for 1 phase Power Unit
	80282	3	Overhead Microswitch for 3 phase Power Unit
16	81910	1	Cover, Microswitch, 1 Phase Power Unit
	81910	3	Cover, Microswitch, 3 Phase Power Unit
17	84126	1	Grommet

AL7 O.S..max