

Parts Identification

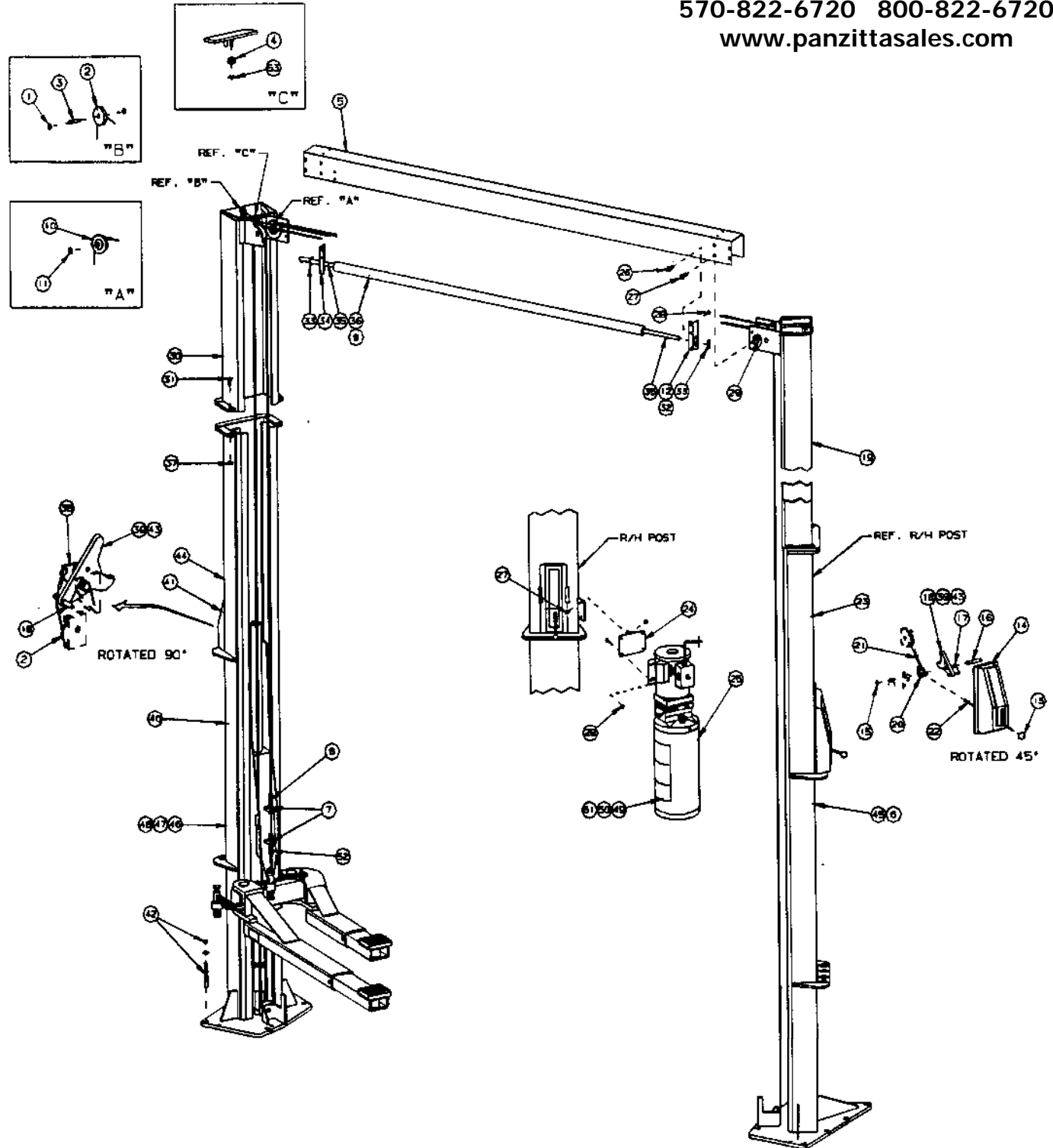
The following pages illustrate and identify the component parts of the Model AL Two Post Multi-Purpose Lift.

A complete parts breakdown with exploded view illustrations is provided to facilitate the ordering of spare or replacement parts.

PANZITTA SALES & SERVICE
 72 George Avenue
 Wilkes-Barre, PA 18705
 570-822-6720 800-822-6720
 www.panzittasales.com

AL Mechanical Parts Identification

ITEM	PART NO.	QTY.	DESCRIPTION	ITEM	PART NO.	QTY.	DESCRIPTION
1	27112	8	E-Ring	40	84425	1	Post, Offside
2	83903	4	Pulley, Idler	41	83925	1	Guard, Offside
3	83904	4	Shaft, Pulley	42	80362	14	Bolt, Anchor
4	14710	2	Pulley, Idler	43	84837	1	Latch Assy. Kit
5	83958	1	Channel, Crossover				(83911 Spring Rod/84836 Latch Assy.)
6	84855	1	Decal, USA	44	11144	1	Decal, AMMCO
7	100073	8	Nut, Cable	45	27027	1	Plate, Serial
8	82858 84713	1	Cable, Short	46	84862	1	Decal, WARNING
	82858-5	1	Cable, Short (AL-7S)	47	84863	1	Decal, WARNING
9	84859	1	Bumper Assy.	48	84864	1	Decal, WARNING
10	84395 84395	6	Pulley	49	80142	1	Decal, IMPORTANT
11	100358	6	Ring, Retaining	50	83928	1	Decal, LATCH
12	85633	1	Angle, Right Hand	51	81204	1	Decal, SAFETY TIPS
13	320	1	Knob, Ball	52	82858 84713	1	Cable, Long
14	83924	1	Guard, pump Side		82858-5	1	Cable, Long (AL-7S)
15	100343	4	Ring, Retaining				
16	83908	2	Shaft, Latch				
17	100344	4	Spring, Torsion				
18	83911	1	Rod, Spring				
19	84065	1	Extension, Post (Pump Side)				
	84065-5	1	Extension (Pump Side, 7S)				
20	84590	1	Sear				
21	100357	1	Clamp, Cable				
22	83906	1	Handle, Release				
23	84426	1	Post, Pump Side				
24	84434	1	Bracket, Mounting				
25	82957-E	1	Power Unit, 1-Phase				
	82958-E	1	Power Unit, 3-Phase				
26	100234	12	Screw, Hex 5/16				
27	100238	8	Screw, 3/8 Washer Head				
28	100237	12	Nut, Hex 5/16 Self Locking				
29	100239	8	Nut, Hex 3/8 Self Locking				
30	84064	1	Extension, Post (Offside)				
	84064-5	1	Extension (Offside, -7S)				
31	80453	8	Screw, Hex 1/2 Washer Hd				
32	84885	1	Kit, Bumper				
33	100362	2	Push-On				
34	85632	1	Angle, Left Hand				
35	84856	1	Pipe, Bumper				
36	100363	1	Tubing, Bumper				
37	100039	8	Nut, Hex 1/2 Washer Head				
38	84573	1	Safety Release Cable Assy.				
39	84836	2	Latch Assy.				



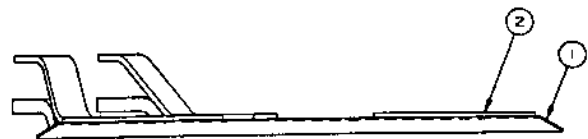
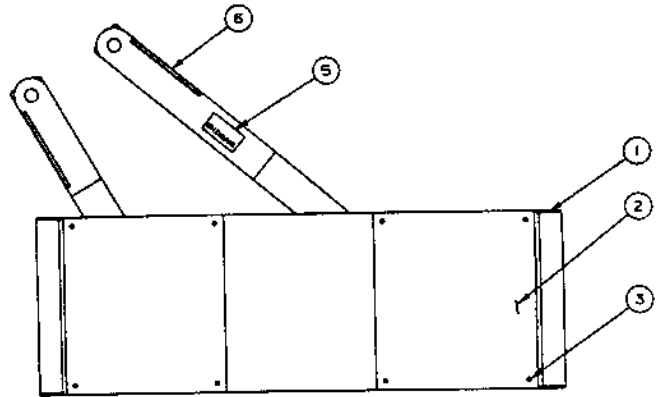
AL Carriage Parts Identification

ITEM	PART NO.	QTY.	DESCRIPTION
1	84926	8	Block, Slide
2	85332	1	Carriage, Pump Side
3	85327	2	Segment, Threaded
4	84186	2	Rod, Lock
5	85329	4	Spring
6	84252	2	Arm Extension, Rear
7	27984	4	Extension, 2-5/8"
8	84218	2	Arm Extension, Front
9	100356	4	Screw, Hex 3/8" x 1-3/8"
10	27982	4	Extension, 5"
11	82361	4	Holder, Pad
12	82365	4	Pad, Rubber
13	100313	8	Screw, Hex
14	85434	1	Arm, Front, Pump Side,
15	84415	2	Lock Rod, Long
16	81082	4	Nylock Nut, 3/8"
17	84572	4	Guard, Door
18	84411	4	Pin
19	82859 84714		Cable, Long, Rear
	82859-5	1	Cable, Long, Rear AL-7S
20	100073	8	Hex Nut
21	82858 84713		Cable, Short, Front
	82858-5	1	Cable, Short, Front AL-7S
22	85333	1	Carriage, Off Side
23	85438	1	Arm, Rear, Pump Side
24	85433	1	Arm, Front, Off Side
25	85437	1	Arm, Rear, Off Side
26	28148	4	Decal, "Warning"
27	85328	4	Retaining Ring
--	82591	4	Pad Assembly (consists of items 11, 12 and 13)

PANZITTA SALES & SERVICE
 72 George Avenue
 Wilkes-Barre, PA 18705
 570-822-6720 800-822-6720
 www.panzittasales.com

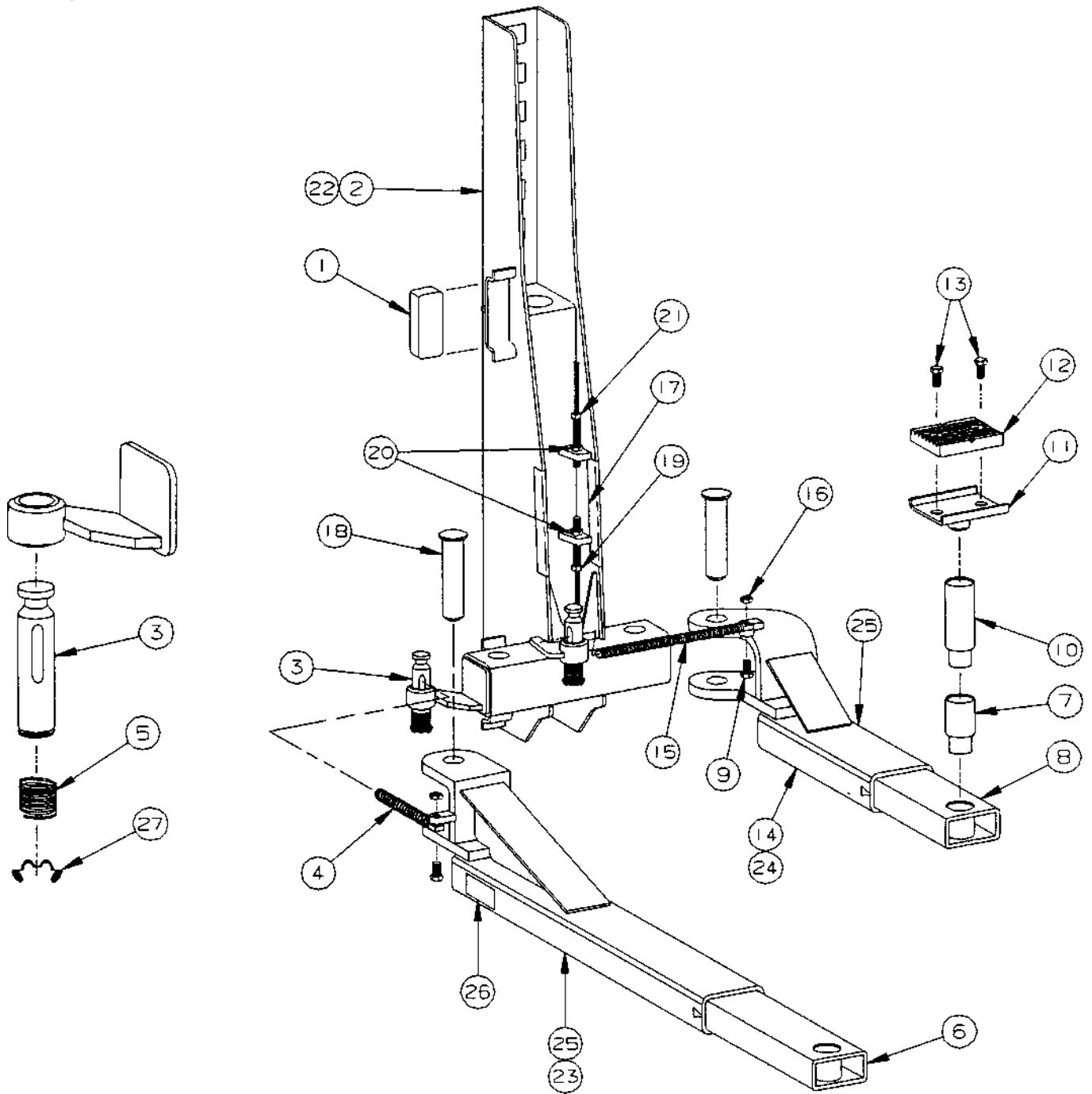
APL-7 Lift Pad Assembly Parts Identification

ITEM	PART NO.	QTY.	DESCRIPTION
1	85162	1	Assembly, Pad, Pump Side
	85163	1	Assembly, Pad, Off Side
2	27480	4	Pad, Rubber
3	27041	16	Screw, Self-Tapping
5	28148	2	Decal, "Warning"
6	84998	4	Molding, Rubber



Pump Side Lift Pad Assembly Shown

PANZITTA SALES & SERVICE
72 George Avenue
Wilkes-Barre, PA 18705
570-822-6720 800-822-6720
www.panzittasales.com



AL-7 NEW STYLE.max

AL Hydraulic and Electrical Parts Identification

ITEM	PART NO.	QTY.	DESCRIPTION
1	84932	1	Hose Assembly
2	100312	2	Screw, Hex
3	100068	2	Locknut
4	84935	1	Hose Assembly
5	84933	1	Hose Assembly
6	100355	1	Tee, Bulkhead with Nut
7	100026	2	Plug
8	100004	6	Ty-Wrap
9	84126	1	Grommet
10	82803	2	Cylinder, Hydraulic
11	100312	2	Screw, Hex
12	85615	1	Bracket, Mounting
13	100009	2	Screw, Hex
14	85611	1	Switch Box, Single-Phase
15	85630	1	Bushing, Strain Relief
16	85629	1	Box Cover, Three-Phase
17	80282	1	Microswitch
18	85628	1	Box Cover, Single-Phase
19	85631	1	Switch Box, Three-Phase

Lift Model ALVAPL

Motor Part No.: 82957-1 (single-phase)

Capacity: 7,000 lbs.

Relief Valve Part No.: 85608

Limit Switch: Yes

Max. Current Draw: 19 amps

Motor Part No.: 82958-1 (three-phase)

Capacity: 7,000 lbs.

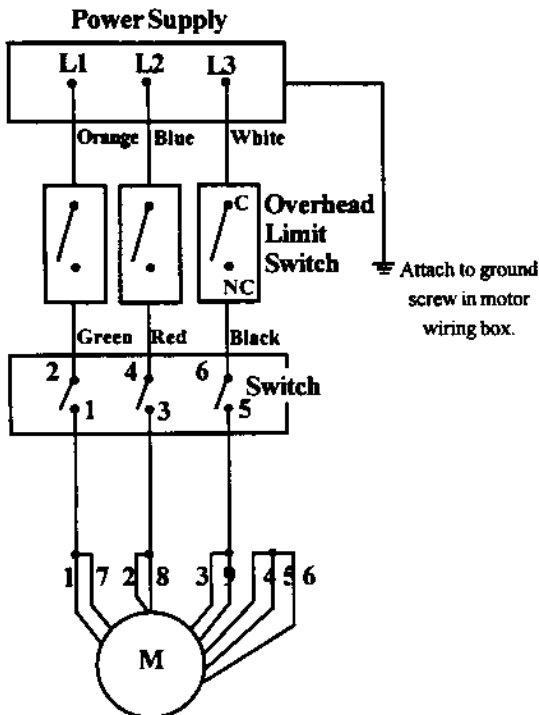
Relief Valve Part No.: 85608

Limit Switch: Yes

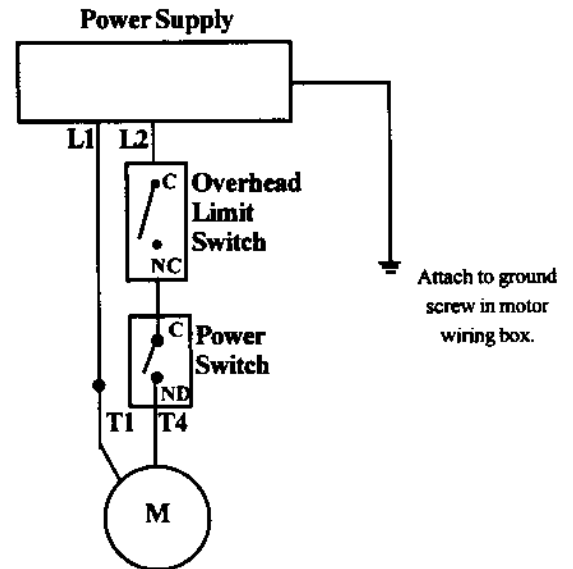
Max. Current Draw: 12 amps

PANZITTA SALES & SERVICE
 72 George Avenue
 Wilkes-Barre, PA 18705
 570-822-6720 800-822-6720
www.panzittasales.com

Three-Phase

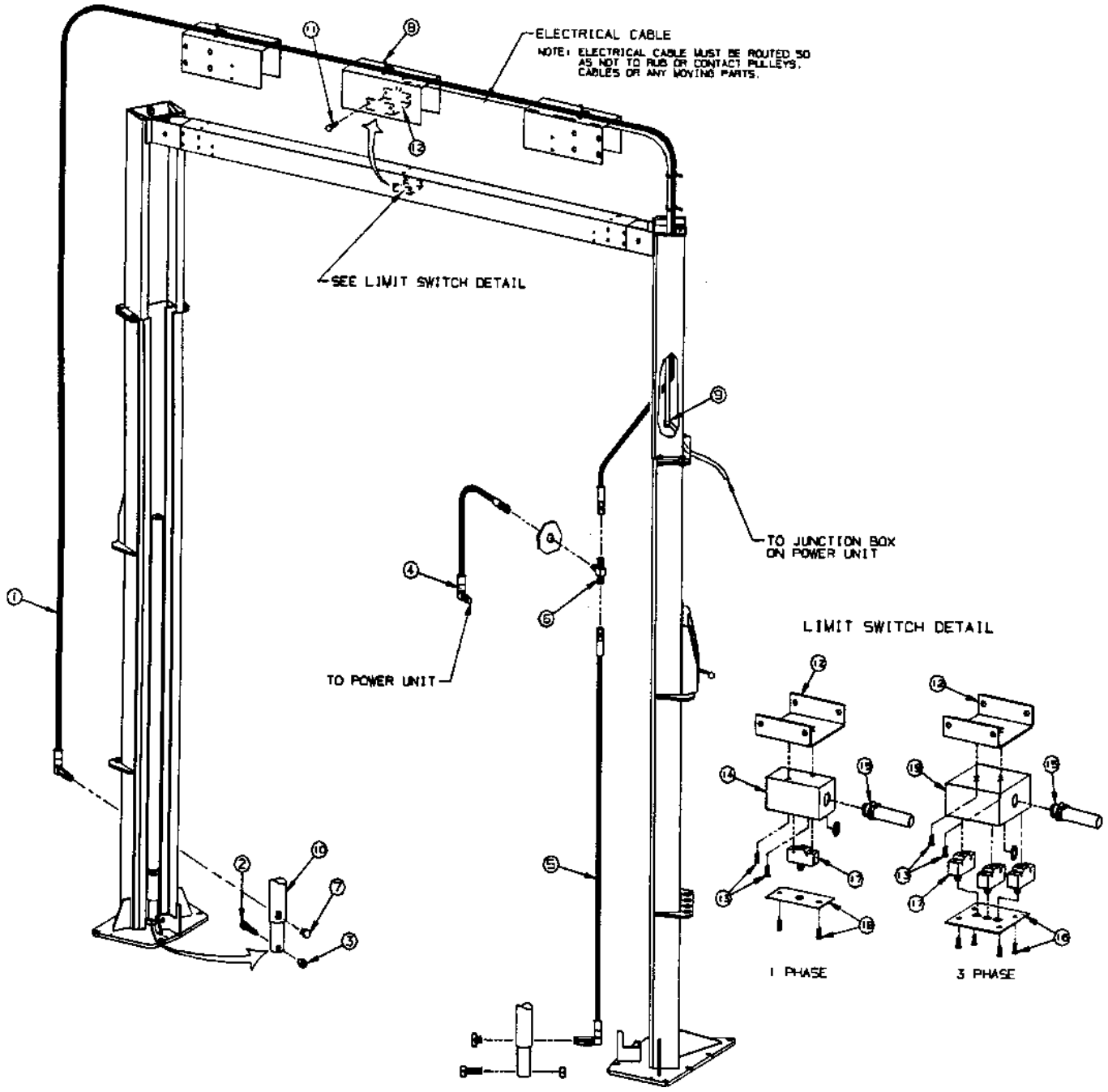


Single-Phase



PANZITTA SALES & SERVICE
 72 George Avenue
 Wilkes-Barre, PA 18705
 570-822-6720 800-822-6720
 www.panzittasales.com

AL Hydraulic and Electrical Parts Identification Diagram



AL-7 NEW STYLE.max