

PANZITTA SALES & SERVICE
72 George Avenue
Wilkes-Barre, PA 18705
570-822-6720 800-822-6720
www.panzittasales.com



**PARTS LISTS
FOR
SYMMETRIC
TWO POST LIFT
MODELS AF 7, AF 7A,
AF 9, AF 9B**

AMMCO LIFTS
WACKER PARK
NORTH CHICAGO, IL 60064 U.S.A.
(615) 641 - 7533 Customer Service #: (800) 688 - 6496

AF 9 OS.max

AF MECHANICAL

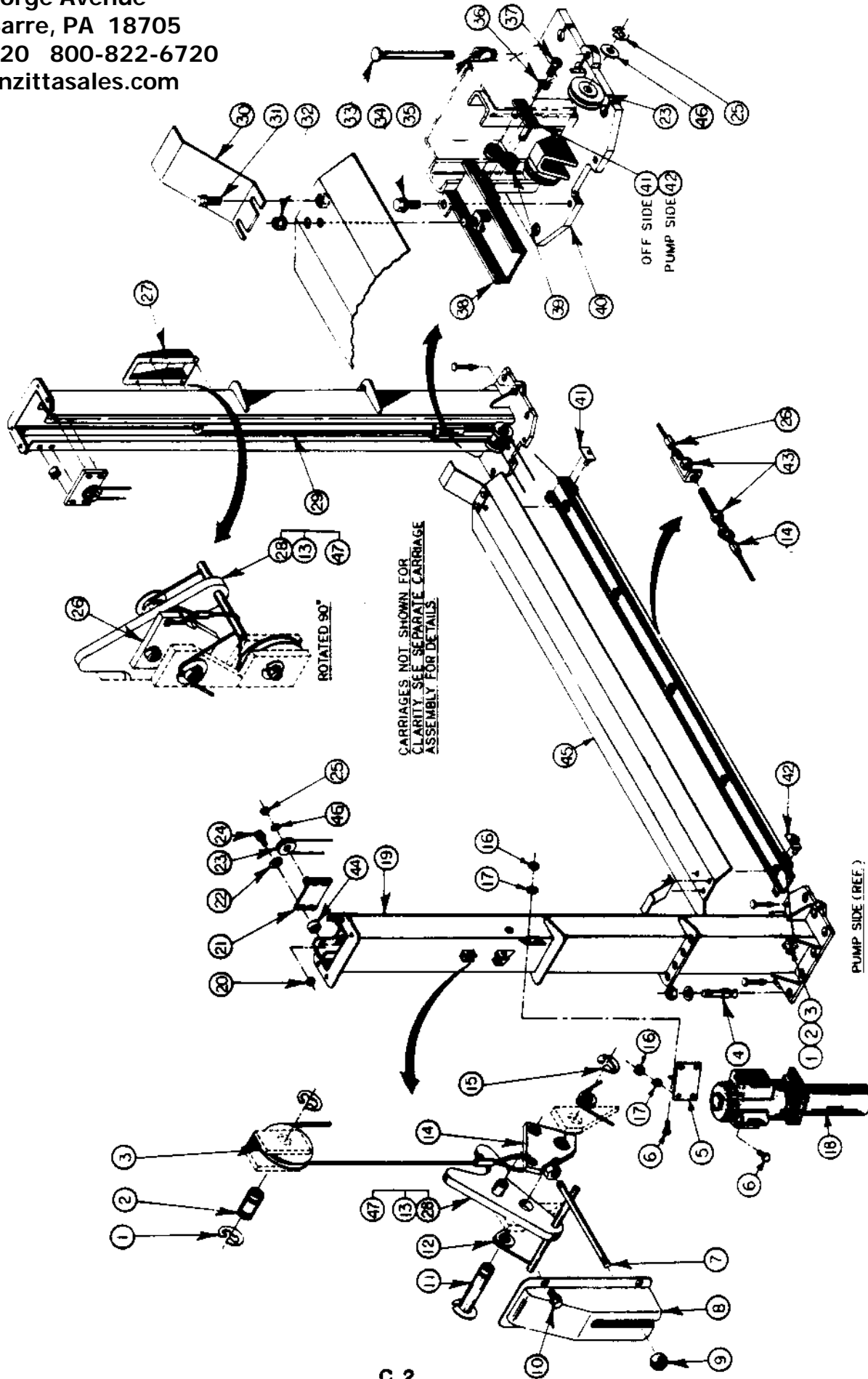
PANZITTA SALES & SERVICE

72 George Avenue

Wilkes-Barre, PA 18705

570-822-6720 800-822-6720

www.panzittasales.com

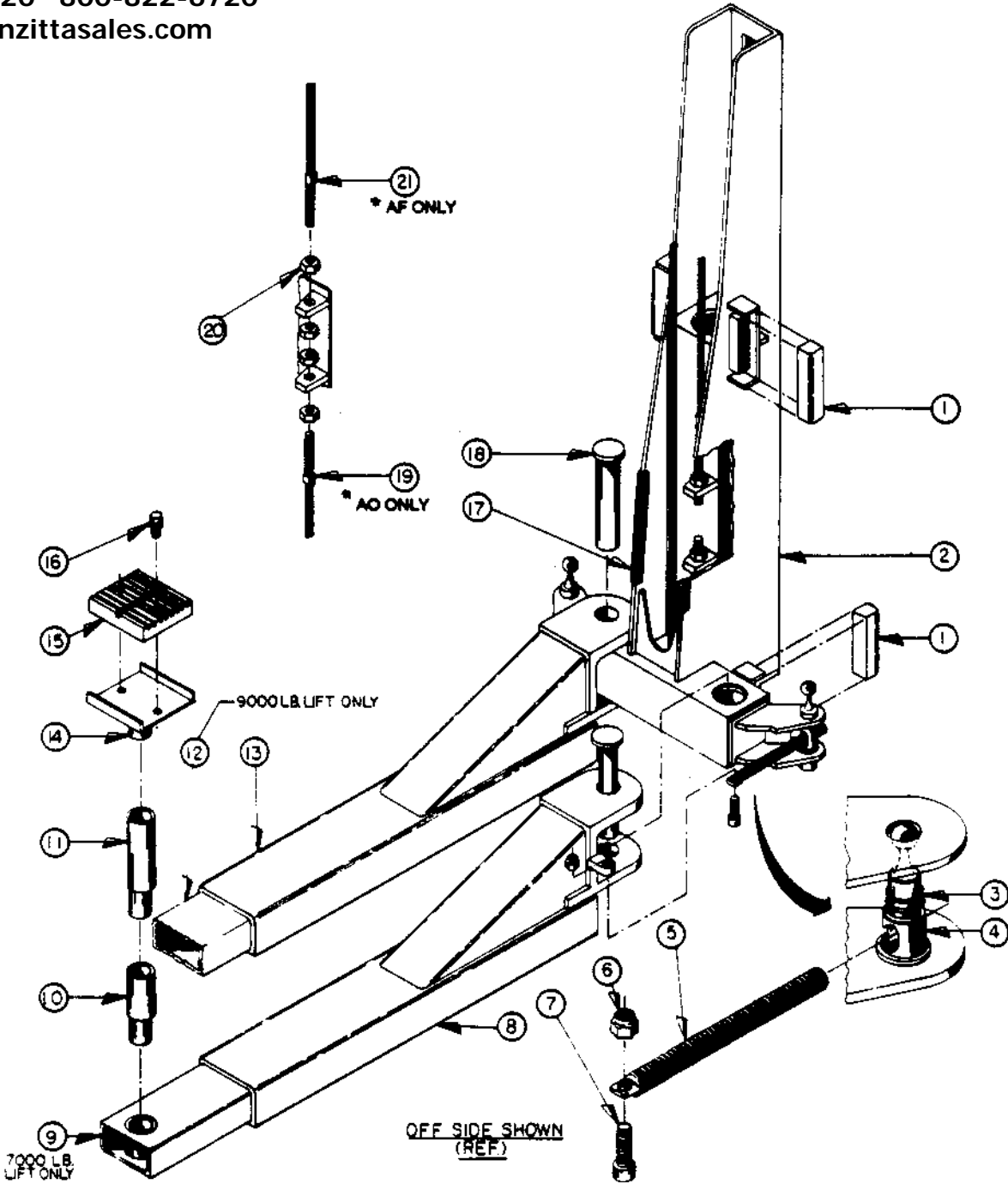


AF MECHANICAL PARTS LIST

ITEM	PART NO.	QTY.	DESCRIPTION	ITEM	PART NO.	QTY.	DESCRIPTION
1	27112	8	E-Ring	25	100358	6	Ring, Retaining
2	83904	4	Shaft, Pulley	26	83926	1	Driver Side Cable Assy.
3	83903	4	Pulley, Idler	27	83925	1	Guard, Driver Side
4	80362	16	Bolt, Anchor	28	84836	2	Latch Assembly
5	84434	1	Bracket, Mounting	29	82803	1	Passenger Side Hydraulic Cylinder
6	100198	6	Screw, Hex		82803	1	Driver Side Hydraulic Cylinder
7	83906	1	Handle, Release	30	84586	2	Shield
8	83924	1	Guard, Passenger Side	31	100342	4	Screw, Hex
9	320	1	Knob, Ball	32	100239	2	Nut, Hex 3/8" Self Locking
10	106301	8	Screw, Self-Tapping	33	84457	4	Rod, Release
11	83908	2	Shaft, Latch	34	100240	2	Screw, Hex
12	100344	4	Spring, Torsion	35	84389	4	Mount, Rubber
13	83911	1	Rod-Spring	36	6081	2	Lock Washer
14	83914	1	Cable Assy. Passenger Side	37	6354	2	Screw, Hex
15	100343	4	Ring, Retaining	38	83922	1	Trough Assembly
16	100102	6	Nut, Hex 5/16"	39	14710	4	Pulley, Idler
17	100159	6	Washer, Lock	40	84431	1	Post, AF 7 Driver Side
18	82957	1	Power Unit, 1 Phase		84441	1	Post, AF 9 DriverSide
	82958	1	Power Unit, 3 Phase	41	83921	1	Bracker, Idler Driver Side
19	84442	1	Post, AF 9 Passenger Side	42	83920	1	Bracket, Idler Passenger Side
	84432	1	Post, AF 7, Passenger Side	43	3528	2	Nut, Hex
	84440	1	Post, AF 7A, 9B Passenger Side	44	84364	8	Spacer
20	301122	8	Nut, Nylock	45	83800	1	Cover, Trough
21	84598	2	Support, Idler	46	100359	6	Washer
22	100141	16	Washer		84837		Latch Assembly Kit
23	84395	6	Idler Pulley Assembly				<i>Consists of:</i>
24	100353	8	Screw, Hex				one (1) 83911 Rod-Spring one (1) 84836 Latch Assy.

AF CARRIAGE ASSEMBLY

PANZITTA SALES & SERVICE
72 George Avenue
Wilkes-Barre, PA 18705
570-822-6720 800-822-6720
www.panzittasales.com



PANZITTA SALES & SERVICE
 72 George Avenue
 Wilkes-Barre, PA 18705
 570-822-6720 800-822-6720
 www.panzittasales.com

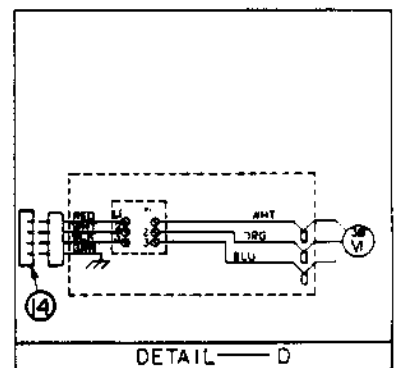
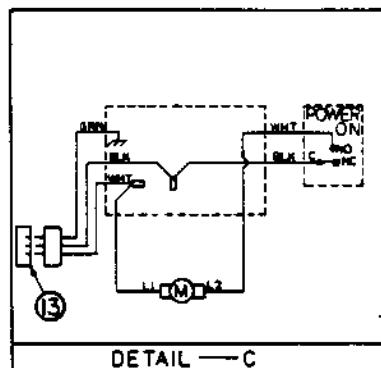
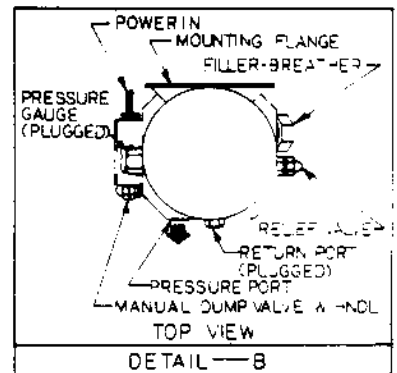
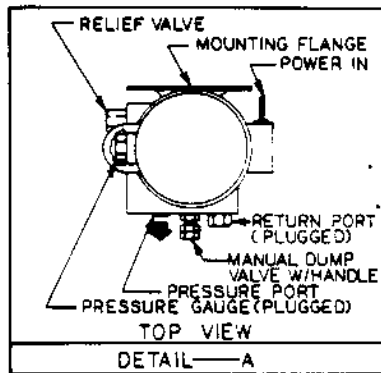
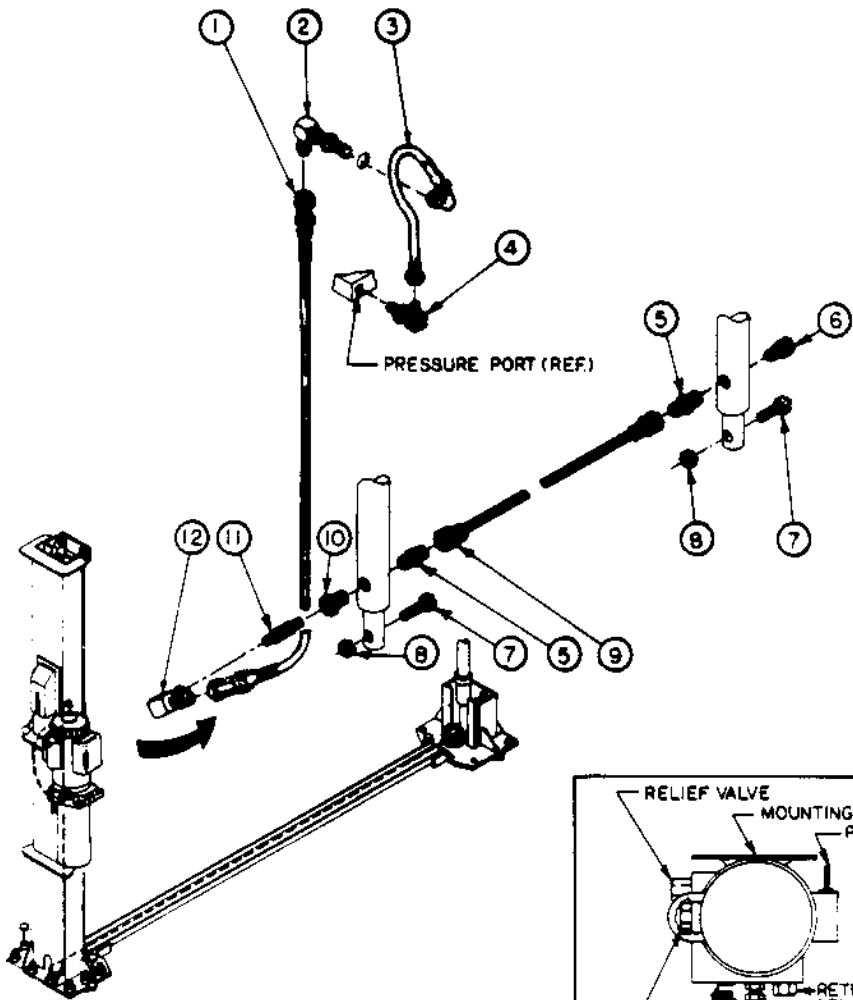
AF CARRIAGE ASSEMBLY PARTS LIST

ITEM	PART NO.	QTY. PER LIFT	DESCRIPTION	ITEM	PART NO.	QTY. PER LIFT	DESCRIPTION
1	82816	8	Bar, Slide	13	84250	2	Arm, Driver Rear
2	84454	2	Carriage				Passenger Front
3	84387	4	Spring	14	82361	4	Holder, Pad
4	84386	4	Thread Segment	15	82365	4	Pad, Rubber
5	84186	4	Rod, Lock	16	100313	8	Screw, Hex
6	11273	4	Nylock 3/8"	17	84572	4	Guard, Door
7	100356	4	Screw, Hex 3/8" x 1-3/8"	18	84411	4	Pin
8	84249	2	Arm, Driver Front	19	83689	2	Cable, Equalizer-AO
			Passenger Rear	20	100073	8	Nut, Hex
9	84252	4	Arm Extension, 7000#	21	83748	2	Cable, Equalizer-AF
10	81693	4	Extension, 2-5/8"		82591	4	Item 14, 15, 16 - Pad Assembly
11	81691	4	Extension, 5"				
12	84247	4	Arm Extension, 9000#				

AF 9 OS.max

AF HYDRAULIC AND ELECTRICAL

PANZITTA SALES & SERVICE
 72 George Avenue
 Wilkes-Barre, PA 18705
 570-822-6720 800-822-6720
 www.panzittasales.com



PANZITTA SALES & SERVICE
72 George Avenue
Wilkes-Barre, PA 18705
570-822-6720 800-822-6720
www.panzittasales.com

AF HYDRAULIC AND ELECTRICAL PARTS LIST

ITEM	PART NO.	QTY.	DESCRIPTION
1	84543	1	Hose Assembly
2	100273	1	Elbow, Bulk Head
3	84547	1	Hose Assembly
4	82056	1	Adaptor, S.A.E.
5	60544	2	Connector, Male
6	100026	1	Plug
7	100312	2	Bolt, Hex
8	100068	2	Nut, Hex
9	83746	1	Crossover Hose Assembly
10	80992	1	Adaptor
11	100341	1	Nipple, Pipe
12	100227	1	Elbow
13	80136	1	Plug, Female 1 Phase
14	80140	1	Plug, Female 3 Phase
	82803	2	Cylinder

AF 9 OS.max

PANZITTA SALES & SERVICE
 72 George Avenue
 Wilkes-Barre, PA 18705
 570-822-6720 800-822-6720
 www.panzittasales.com

ALIGNMENT RACK - TWO POSTS

ITEM	PART NO.	QTY.	DESCRIPTION	AMMCO 2290	HUNTER D-1	FMC
1	84411	4	Pin	X	X	X
2	28170	2	Adaptor, Bolster	X		
	84462	2	Adaptor, Bolster		X	X
3	26354	8	Bolt, 7/8-9UNC x 5-1/2 GDS	X		
	100349	6	Bolt, 1-8UNC x 5-1/2 GDS		X	X
4	20939	8	Washer	X		
	21014	6	Washer		X	X
5	20769	8	Washer	X		
6	26359-03	1	Cross Beam	X		
7	26355	2	Plate, Nut	X		
	25179	6	Nut, Hex 1"-8 UNC		X	X
8	83889	2	Support, Outboard	X	X	X
9	80362	8	Bolt, Anchor	X	X	X
10	100347	4	Bolt, 1"-8 UNC x 2" GD.5	X	X	X
11	100346	4	Lock Washer, 1"	X	X	X

X Denotes part's application for the equipment listed.