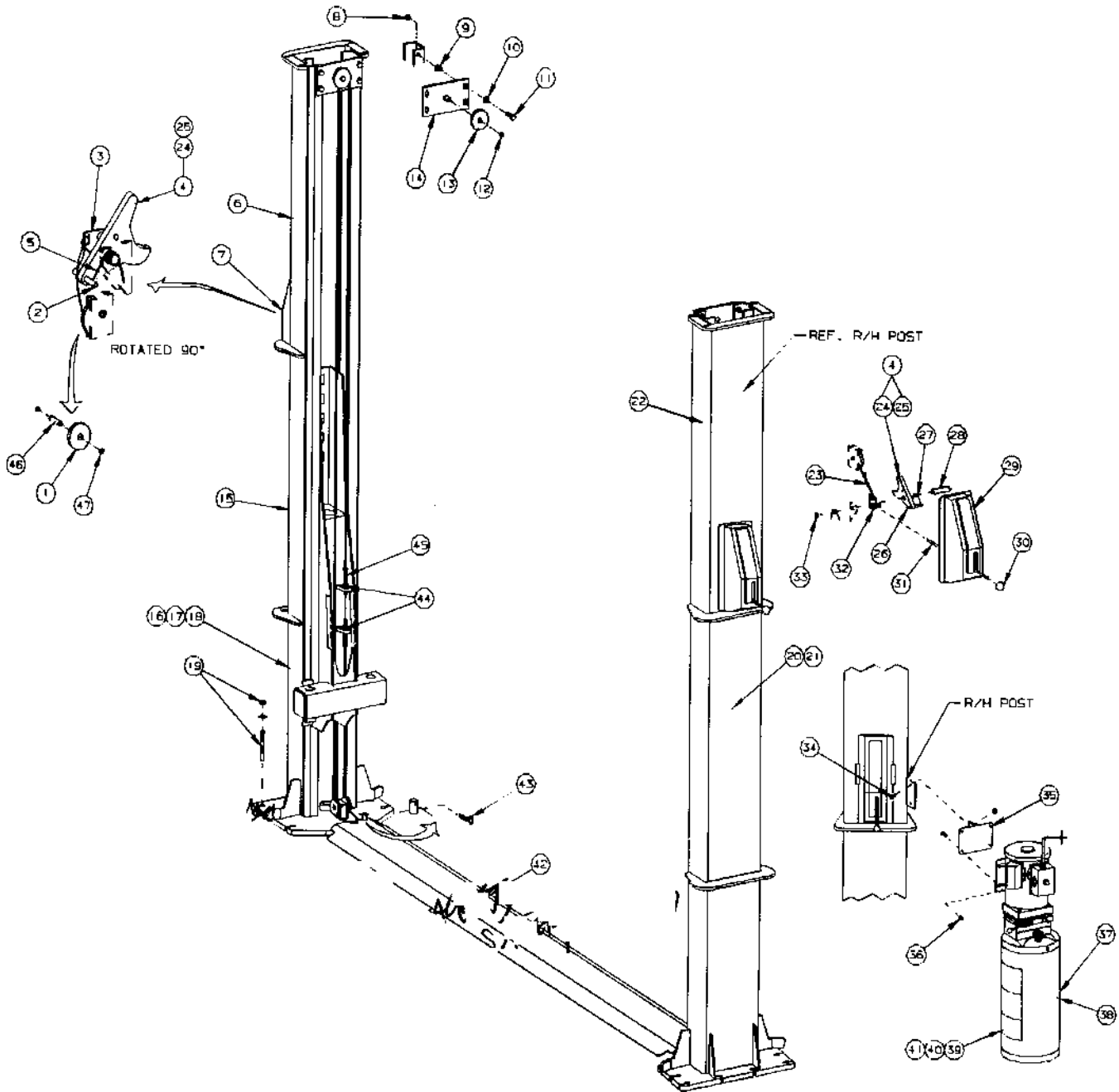


AF Mechanical Parts Identification

Item No.	Part No.	Qty.	Description
1	83903	4	Pulley
2	83911	1	Rod, Spring
3	84573	1	Cable Assy.
4	84837	2	Latch Assy.
5	100344	2	Torsion Spring
6	11144	2	Decal, AMMCO Logo
7	83924	1	Guard, Offside
8	100039	8	Nut, Hex
9	84364	8	Spacer
10	100141	16	Washer
11	100304	8	Screw, Hex
12	100358	6	Ring, Retaining
13	84395	6	Pulley, Idler
14	84598	2	Support, Idler
15	85346	1	Post, Offside
16	84862	1	Decal, Warning
17	84863	1	Decal, Notice
18	84864	1	Decal, Caution
19	80362	16	Bolt, Anchor
20	27027	1	Plate, Serial
21	84855	1	Decal, USA
22	85347	1	Post, Pump Side
23	100357	1	Clamp, Cable
24	84475	2	Latch Structure
25	100106	2	Roll Pin
26	83911	1	Spring, Rod
27	100344	2	Spring, Torsion
28	83908	1	Latch, Shaft
29	83924	1	Guard, Pump Side
30	320	1	Knob, Ball
31	83906	1	Handle, Release
32	84590	1	Sear, Cable
33	100343	4	Ring, Retaining
34	100198	6	Screw, Hex
35	84434	1	Bracket, Power Unit
36	100237	6	Nut, Hex
37	82957E	1	Power Unit Assy., 1-Phase
38	82598E		Power Unit Assy., 3-Phase
39	80142	1	Decal, Important
40	83928	1	Decal, Latch
41	81204	1	Decal, Safety Tips
42	85255	1	Plate, Floor Cover
43	85371	2	Clip
44	80748	2	Cable, Equalizer_ 84892
45	100073	8	Nut, Cable
46	83904	4	Shaft, Idler
47	27112	4	Retaining Ring

AF Mechanical Parts Identification Diagram

PANZITTA SALES & SERVICE
72 George Avenue
Wilkes-Barre, PA 18705
570-822-6720 800-822-6720
www.panzittasales.com



PANZITTA SALES & SERVICE
 72 George Avenue
 Wilkes-Barre, PA 18705
 570-822-6720 800-822-6720
 www.panzittasales.com

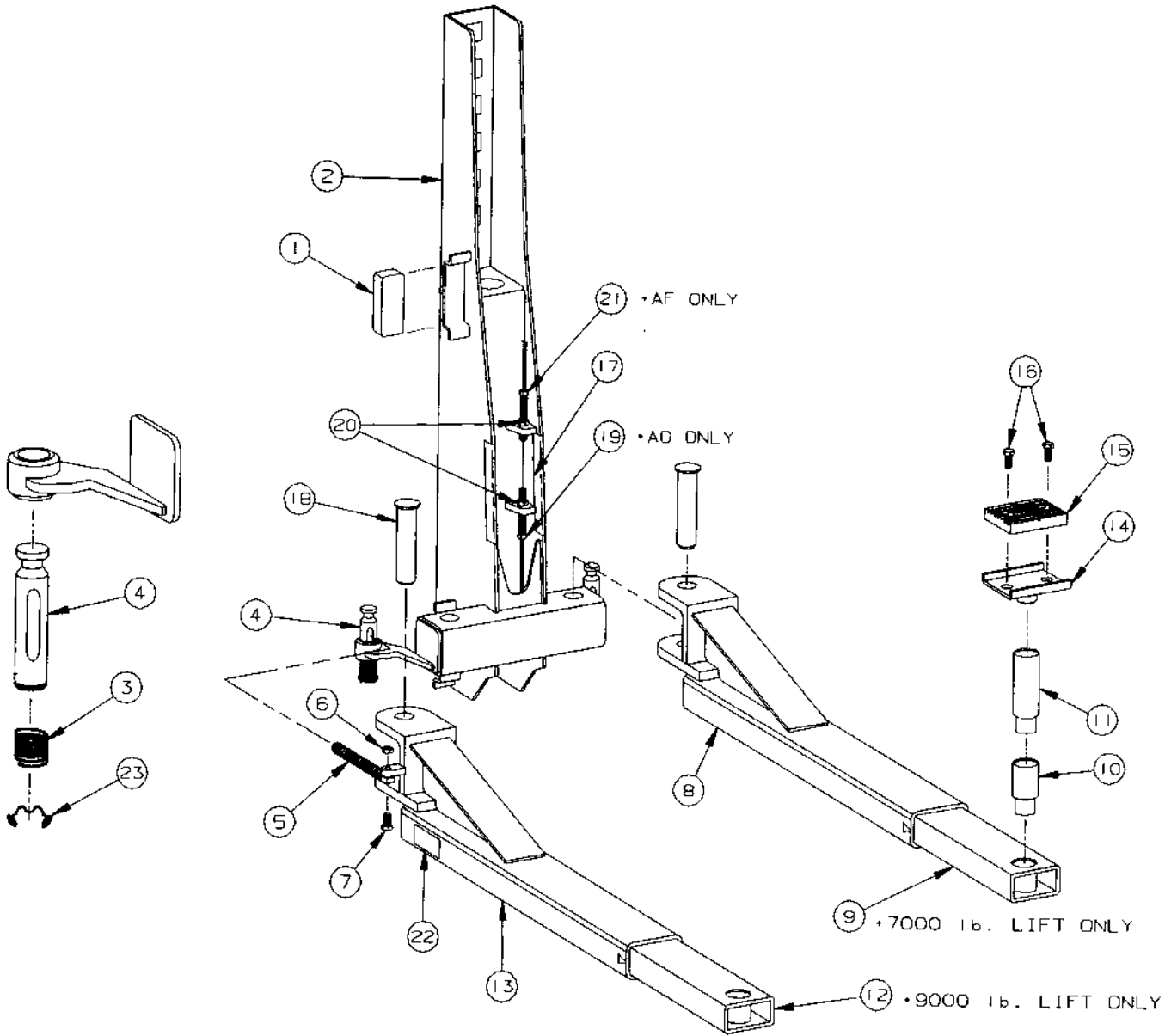
AF Carriage Parts Identification

Item No.	Part No.	Qty.	Description
1	84926	8	Block, Slide
2	85331	2	Carriage
3	85329	4	Spring
4	85327	4	Segment, Threaded
5	84186	4	Lock Rod
6	81082	4	Nylock Nut
7	100356	4	Screw, Hex 3/8" x 1-3/8"
8	85436	2	Arm, Pump Side
9	84252	4	Arm Extension 7000#
10	27984	4	Extension 2 -5/8"
11	27982	4	Extension 5"
12	84247	4	Arm Extension 9000#
13	85435	2	Arm, Off Side
14	82361	4	Holder, Pad
15	82365	4	Pad, Rubber
16	100313	8	Screw, Hex
17	84572	4	Door Guard
18	84411	4	Pin
19	83689	2	Cable, Equalizer, AO Series
	83689-5	2	Cable, Equalizer, AO-S Series
20	100073	8	Hex Nut
21		2	Cable, Equalizer, AF Series — 84892
22	28148	4	Decal, "Warning"
23	85328	4	Retaining Ring
---	82591	4	Pad Assembly (consists of items 14, 15 and 16)

AF 9 NEW.max

PANZITTA SALES & SERVICE
 72 George Avenue
 Wilkes-Barre, PA 18705
 570-822-6720 800-822-6720
 www.panzittasales.com

AF Carriage Parts Identification Diagram



PANZITTA SALES & SERVICE

72 George Avenue

Wilkes-Barre, PA 18705

570-822-6720 800-822-6720

www.panzittasales.com

AF Hydraulic and Electrical Parts Identification

Item No.	Part No.	Qty.	Description
1	84933	1	Hose Assembly
2	100374	1	Elbow, Bulk Head
3	84935	1	Hose Assembly
4	100026	1	Plug
5	100312	2	Bolt, Hex
6	100068	2	Nut, Hex
7	84956	1	Crossover Hose Assembly
8	82803	2	Cylinder, Hydraulic, Lift

Lift Model AF

Motor Part No.: 82957-3 (single-phase)

Capacity: 9,000 lbs.

Relief Valve Part No.: 85610

Limit Switch: No

Max. Current Draw: 19 amps

Motor Part No.: 82958-3 (three-phase)

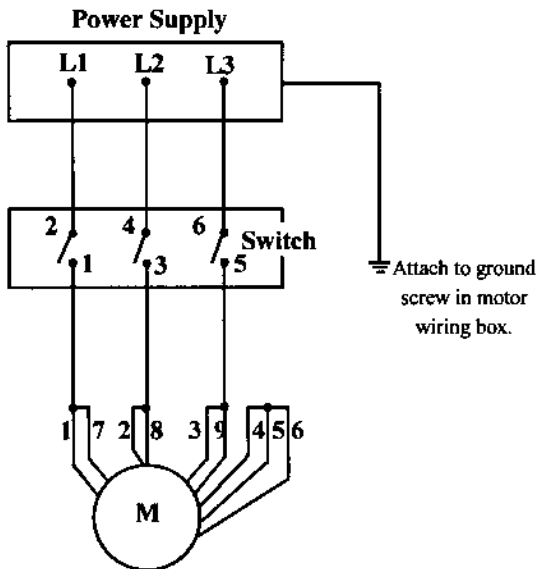
Capacity: 9,000 lbs.

Relief Valve Part No.: 85610

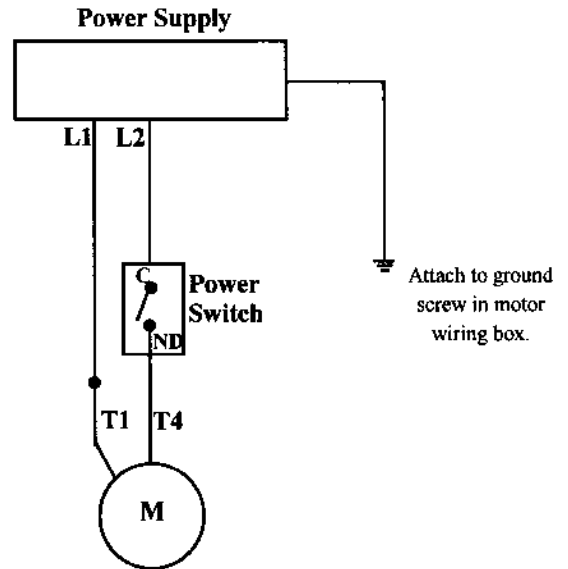
Limit Switch: No

Max. Current Draw: 12 amps

Three-Phase



Single-Phase



AF Hydraulic and Electrical Parts Identification Diagram

PANZITTA SALES & SERVICE
72 George Avenue
Wilkes-Barre, PA 18705
570-822-6720 800-822-6720
www.panzittasales.com

