



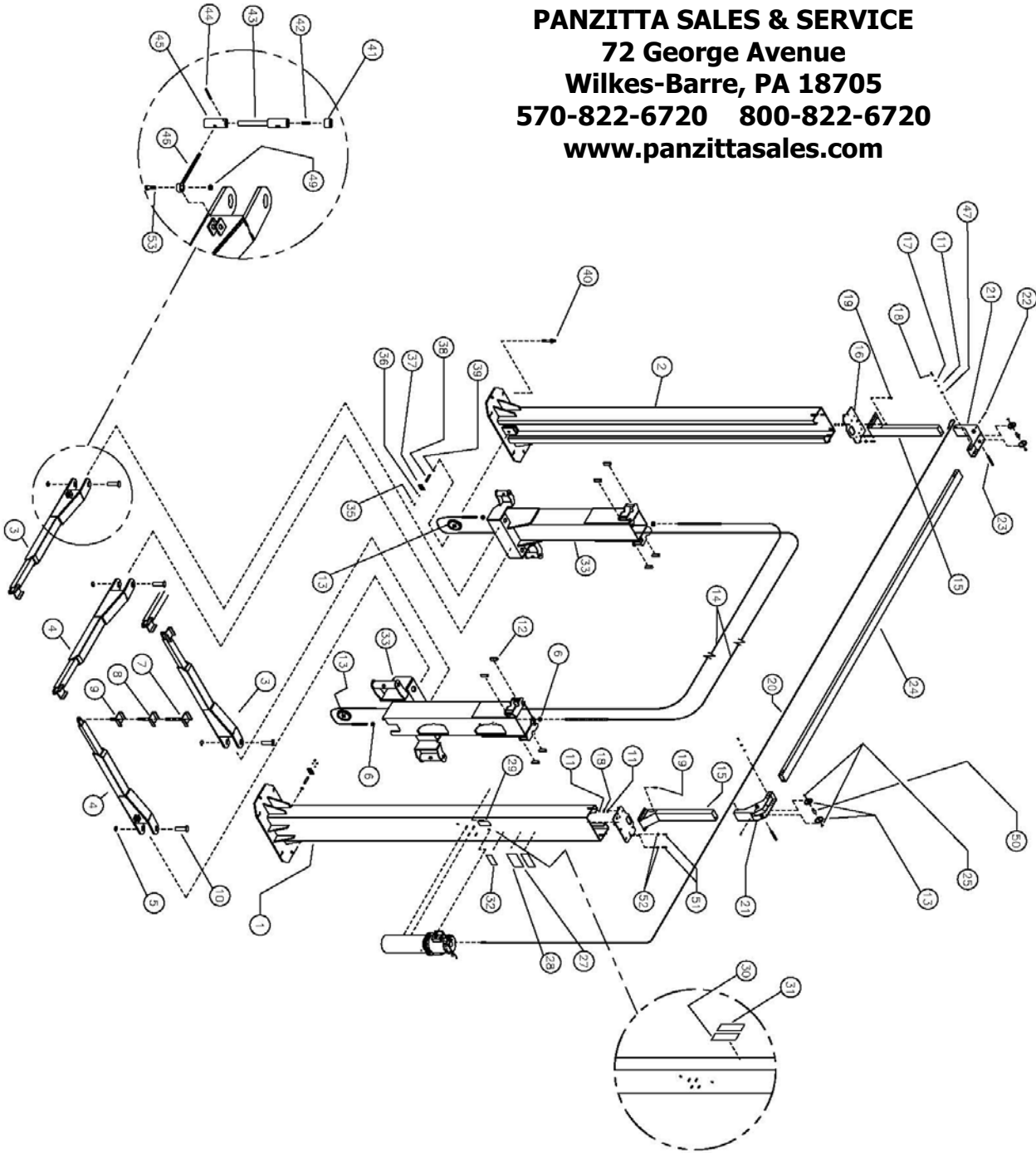
PANZITTA SALES & SERVICE
72 George Avenue
Wilkes-Barre, PA 18705
570-822-6720 800-822-6720
www.panzittasales.com

15000S16
15,000 LB.
(SYMMETRICAL)

**READ and SAVE THIS
INSTRUCTION MANUAL**

LIFT ASSEMBLY

PANZITTA SALES & SERVICE
72 George Avenue
Wilkes-Barre, PA 18705
570-822-6720 800-822-6720
www.panzittasales.com



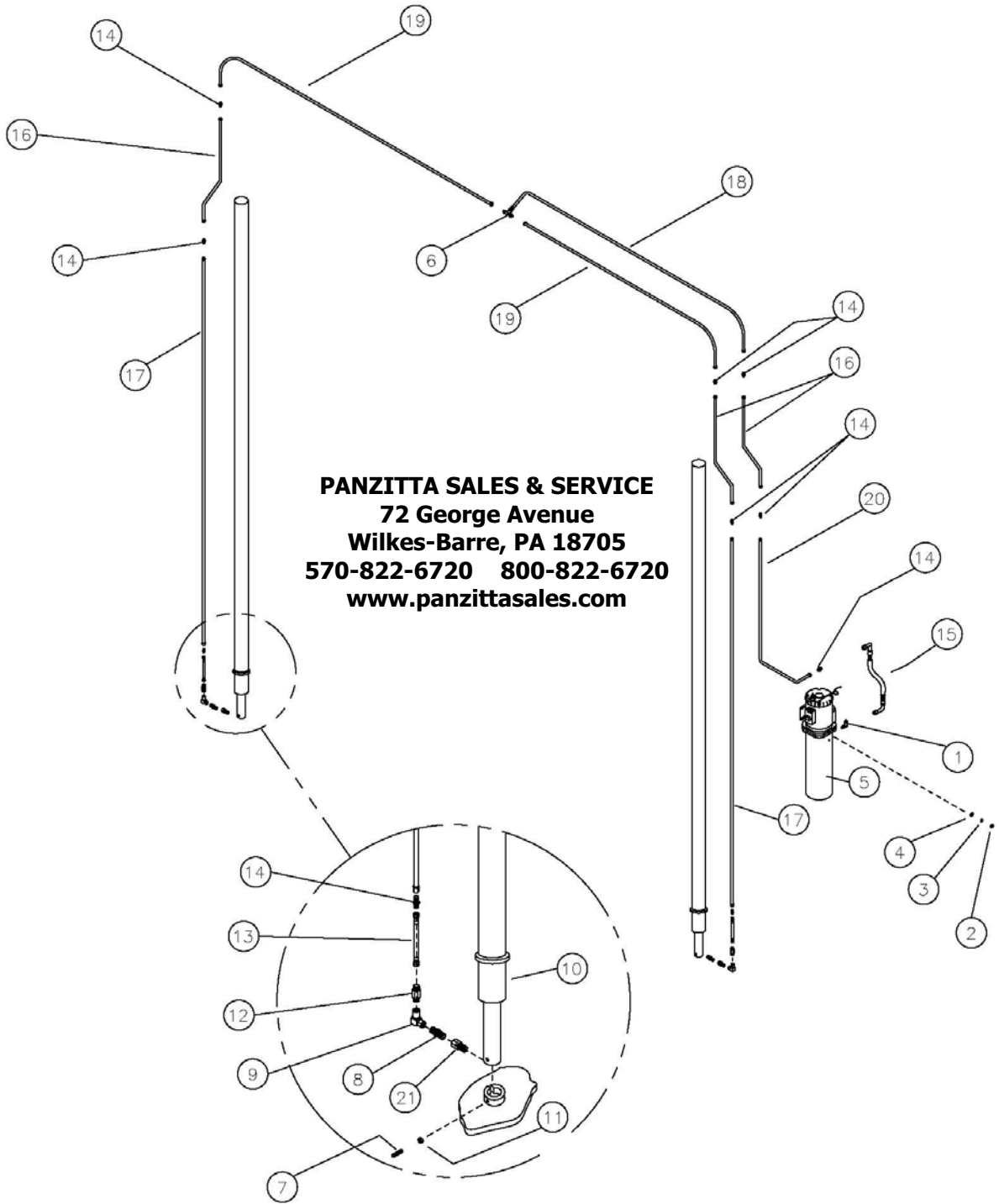
LIFT ASSEMBLY PARTS LIST

ITEM	QTY	DESCRIPTION	PART#
1	1	DRIVE COLUMN ASSEMBLY	3-0946
2	1	IDLE COLUMN ASSEMBLY	3-0945
3	2	ARM ASSEMBLY	3-0935
4	2	ARM ASSEMBLY	3-0931
5	4	RETAINING RING 1 3/4"	6-3168
6		NYLON LOCKNUT 1/2"-13	6-3169
7	4	ARM PAD EXTENSION ASSEMBLY	2-2285
8	4	ARM PAD EXTENSION ASSEMBLY	2-2284
9	4	ARM PAD ASSEMBLY	2-2283
10	4	ARM MOUNTING PIN WELDMENT	1-2989
11	44	LOCKWASHER 3/8"	6-0058
12	16	BEARING BLOCKS	1-2966
13	4	COLUMN SHEAVE 4 1/2" P.D	1-3019
14	2	3/8" DIA. WIRE ROPE 464" LG	6-3118
15	2	PROFILE PEDESTAL WELDMENT	3-0938
16	2	COLUMN TOP PLATE DRIVE 2 POST AIR RELEASE	2-2265
17	28	WASHER FLAT 3/8" I.D	6-0625
18	28	HEX BOLT 3/8"-16 UNC 1" LG PLT	6-0067
19	12	HEX BOLT 3/8"-16 UNC 1 1/2" LG PLT	6-0203
20	1	WIRE CABLE 1/16" DIA. 256" LG	6-2072
21	2	PROFILE CORNER WELDMENT	3-0941
22	2	COTTER PIN 3/16" X 1 3/4" LG	6-3157
23	2	SHAFT, OVERHEAD PULLEY	2-2252
24	1	TOP PROFILE TUBE	2-2258
25	4	SHEAVE SPACER	1-2971
27	1	CAPACITY DECAL 15000lb / 6800 kg	6-3172
28	1	ALI DECAL / ETL CERTIFICATION	6-2810
29	1	SAFETY INSTRUCTIONS DECAL	6-0594
30	1	WARNING DECAL	6-0595
31	1	CAUTION DECAL	6-0592
32	1	ALI MEMBER DECAL	6-0398
33	2	CARRIAGE ASSEMBLY	3-0943
35	4	HEX BOLT 1/4"-20 UNC 1/2 " LG GR.5	6-0126
36	4	LOCKWASHER 3/8"	6-0056
37	2	KEEPER PLATE	1-2976
38	2	SHEAVE PIN	1-2975
40	16	CONCRETE ANCHOR	6-1379
41	4	ARM RESTRAINT CAP	1-2965
42	4	ARM LOCK SPRING	6-3112
43	4	PLUNGER WELDMENT	2-2274
44	4	ROLL PIN 1/4" DIA 1 3/4" LG	6-3127
45	4	ARM LOCK HOUSING	1-3015
46	4	ARM RESTRAINT ROD ASSEMBLY	2-2273
47	36	HEX NUT 3/8"-16 UNC	6-3119
49	4	LOCKNUT 3/4"-10 UNC NYLON	6-3123
50	2	SPACER & WASHER ASSEMBLY	1-3017

51	8	HEX BOLT 1/2"-13 UNC 2" LG	6-0769
52	8	WASHER FLAT 1/2" I.D	6-0063
53	4	HEX BOLT 3/4"-10 UNC 3" LG	6-1101

PANZITTA SALES & SERVICE
72 George Avenue
Wilkes-Barre, PA 18705
570-822-6720 800-822-6720
www.panzittasales.com

HYDRAULIC SYSTEM



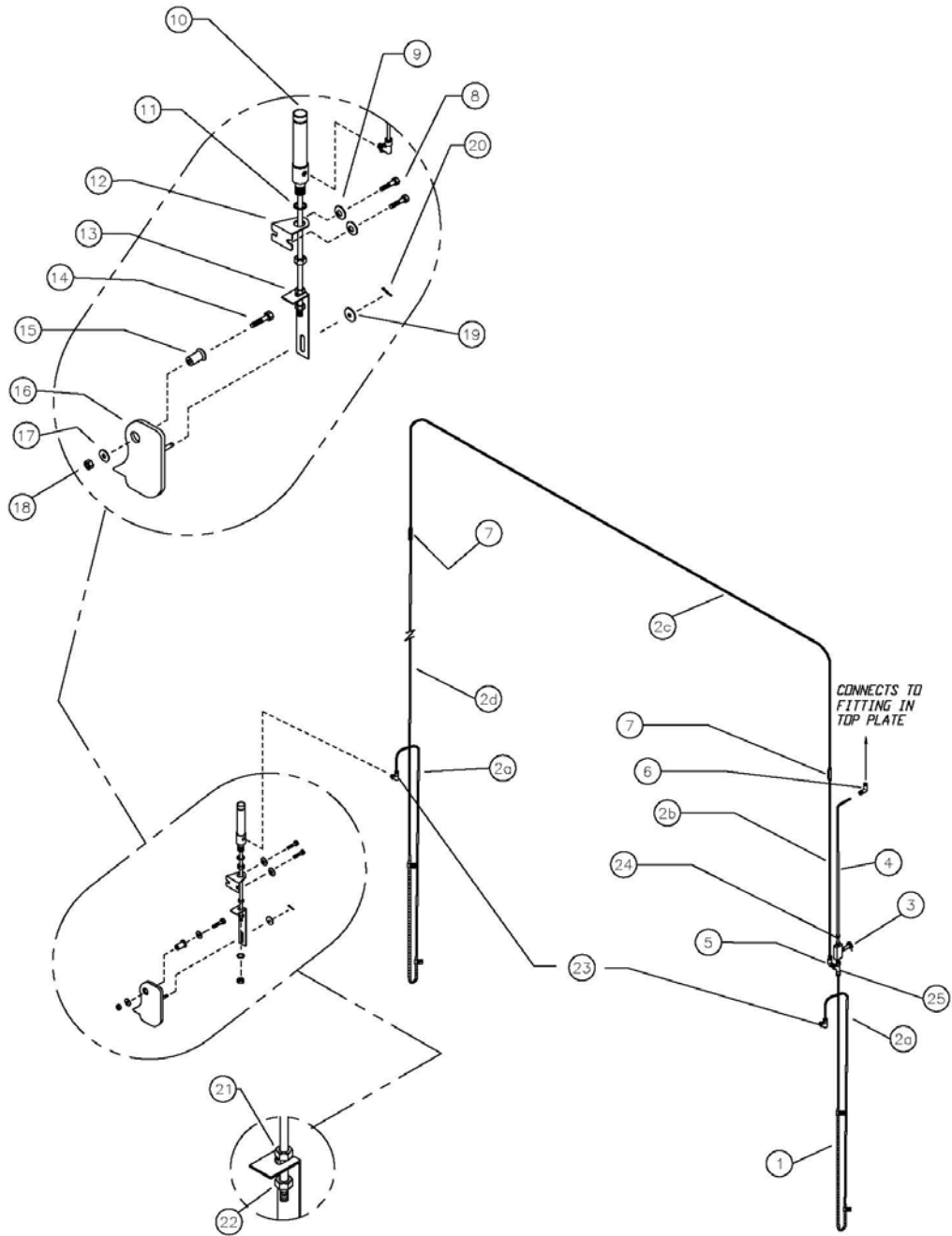
HYDRAULIC SYSTEM PARTS LIST

ITEM	QTY	DESCRIPTION	PART#
1	1	ELBOW 90 DEG 9/16 SAE M-3/8 JIC M	6-0804
2	4	HEX NUT 5/16"-18 UNC	6-0294
3	4	LOCKWASHER 5/16" I.D	6-0674
4	4	WASHER FLAT 5/16" ID SAE	6-0295
5	1	POWER UNIT	6-3150
6	2	3/8" UNION TEE M JIC	6-1372
7	2	SET SCREW 3/8"-16 1"LG	6-3061
8	2	ADAPTOR HEX NIPPLE 3/8" NPT #24	6-0953
9	2	COUPLING 3/8" F NPT 90 DEG FORGED	6-0006
10	2	HYDRAULIC CYLINDER	2-2272
11	11	HEX NUT 3/8"-16 UNC	6-3119
12	2	VELOCITY FUSE 8GPM	6-1684
13	2	HYDRAULIC HOSE ASSEMBLY	2-2136
14	2	ADAPTOR 3/8" M JIC - 3/8" M JIC	6-0286
15	1	HYDRAULIC HOSE ASSEMBLY	6-3148
16	3	HYDRAULIC TUBING ASSEMBLY	6-3151
17	2	HYDRAULIC TUBING ASSEMBLY	6-3153
18	1	HYDRAULIC TUBING ASSEMBLY	6-3114
19	2	HYDRAULIC TUBING ASSEMBLY	6-3152
20	1	HYDRAULIC TUBING ASSEMBLY	6-3149
21	2	1/4" NPT M - 3/8" NPT F ADAPTOR	6-3205

PANZITTA SALES & SERVICE
72 George Avenue
Wilkes-Barre, PA 18705
570-822-6720 800-822-6720
www.panzittasales.com

SAFETY SYSTEM

PANZITTA SALES & SERVICE
72 George Avenue
Wilkes-Barre, PA 18705
570-822-6720 800-822-6720
www.panzittasales.com



SAFETY SYSTEM PARTS LIST

ITEM	QTY	DESCRIPTION	PART#
1	2	MICRO CABLE CARRIER ASSEMBLY	1-3026
2 a	1	PNEUMATIC TUBING 5/32" 127" LG	8-0344
b	1	PNEUMATIC TUBING 5/32" 94 3/4" LG	"
c	1	PNEUMATIC TUBING 5/32" 222" LG	"
d	1	PNEUMATIC TUBING 5/32" 225" LG	"
3	1	AIR VALVE	6-3136
4	1	PNEUMATIC TUBING 1/4" DIA 100" LG	8-0141
5	2	PLUG IN ELBOW 5/32" – 5/32"	6-3131
6	1	MALE ELBOW 1/4" – 1/4" NPT	6-3135
7	3	HOSE TO HOSE COUPLING 5/32" – 5/32"	6-3133
8	12	HEX BOLT 3/8" –16 UNC 1 1/2" LG. PLT	6-0203
9	4	WASHER FLAT 1/4" I.D SAE	6-0060
10	2	AIR CYLINDER 3/4 BX(1.00) STROKE	6-3111
11	2	LOCKWASHER INTERNAL TOOTH 5/8	6-0663
12	2	AIR CYLINDER MTG. BRKT 2 POST AIR RELEASE	6-3110
13	2	SAFETY RELEASE BRKT 2 POST AIR RELEASE	2-2249
14	2	HEX BOLT 7/8"-9 x 3 1/2" LG	6-1643
15	2	SAFETY BLOCK SPACER	1-2996
16	2	SAFETY DOG ASSY & WELDMENT	1-3022
17	2	WASHER FLAT 7/8" I.D	6-0725
18	2	LOCKNUT 7/8"-9 UNC NYLON	6-3124
19	2	WASHER 3/8"	6-0625
20	2	COTTER PIN 3/32" x 1"	6-3145
21	4	HEX JAM NUT 1/4"-28 UNF	6-3144
22	2	LOCKNUT 1/4"-28 NYLON UNF	6-1563
23	4	MALE ELBOW 5/32" –1/8" NPT	6-3129
24	1	MALE CONNECTOR 1/4" - 1/8" NPT	6-3130
25	1	MALE RUN'G TEE 5/32" – 5/32" – 1/8"	6-3132

PANZITTA SALES & SERVICE
72 George Avenue
Wilkes-Barre, PA 18705
570-822-6720 800-822-6720
www.panzittasales.com