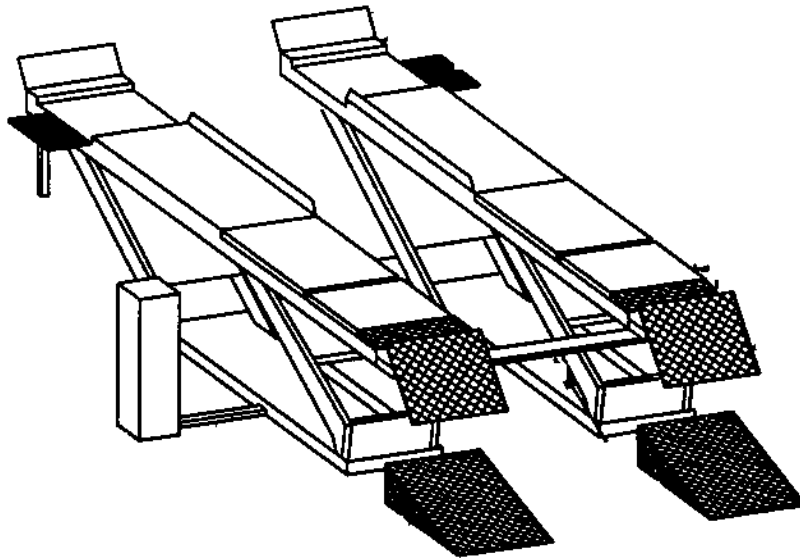


PANZITTA SALES & SERVICE  
72 George Avenue  
Wilkes-Barre, PA 18705  
570-822-6720 800-822-6720  
www.panzittasales.com

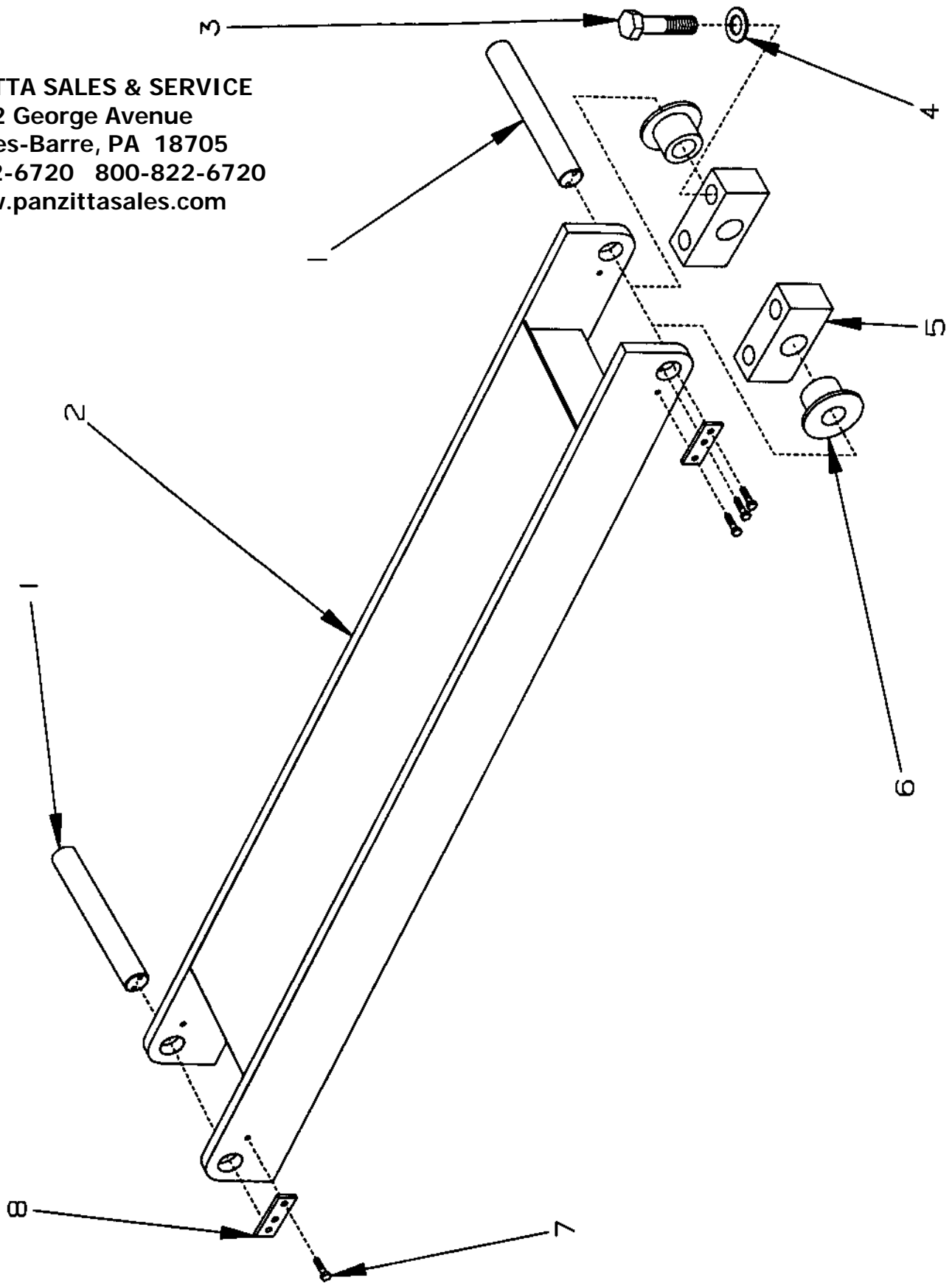
**SPEEDLINER**  
**PARALLELOGRAM LIFT**  
**MODEL SLR-8**



SLR-8.max

# MODEL SLR-8/FRONT LEG PARTS

PANZITTA SALES & SERVICE  
72 George Avenue  
Wilkes-Barre, PA 18705  
570-822-6720 800-822-6720  
www.panzittasales.com



**PANZITTA SALES & SERVICE**  
72 George Avenue  
Wilkes-Barre, PA 18705  
570-822-6720 800-822-6720  
www.panzittasales.com

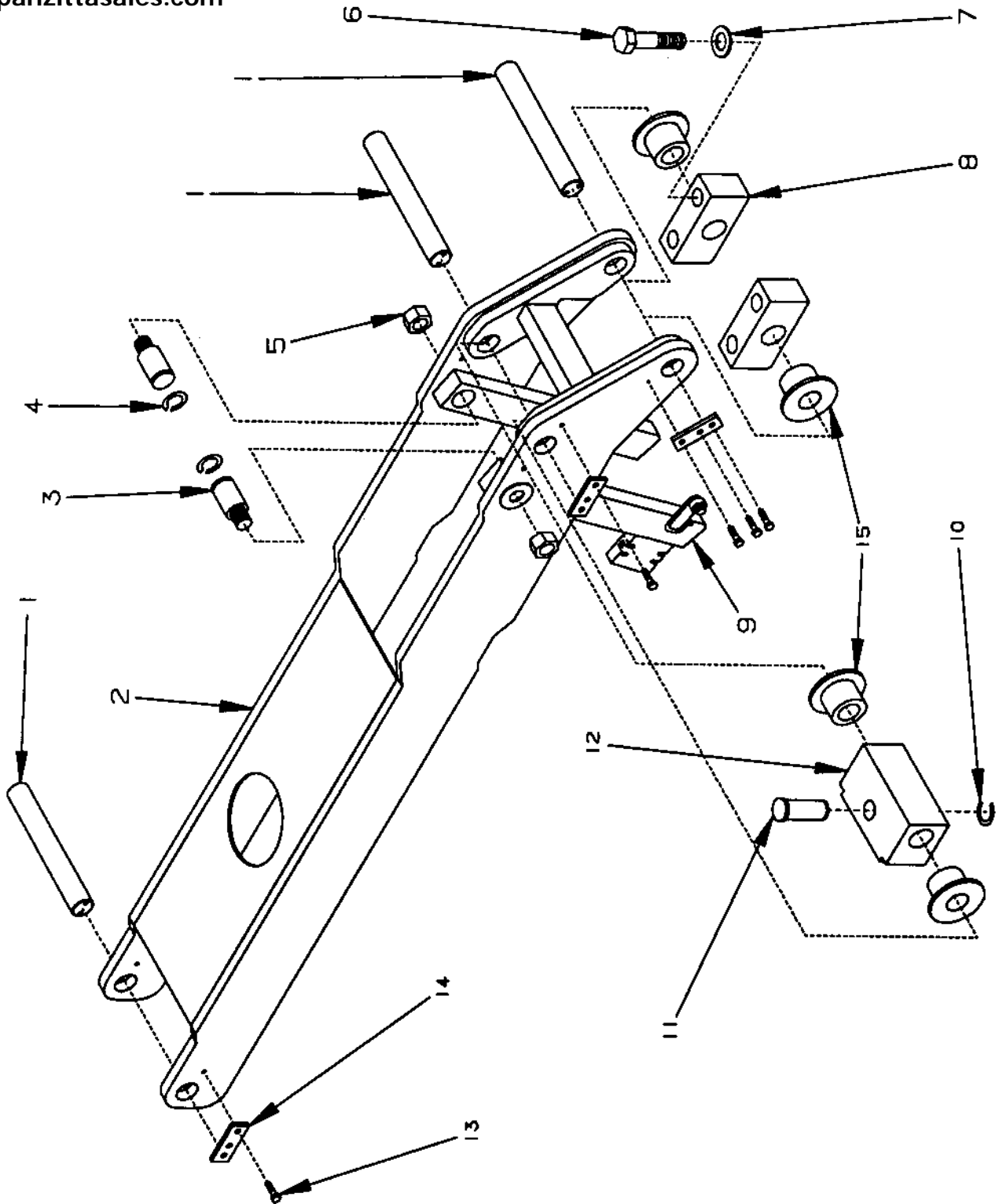
## **MODEL SLR-8/FRONT LEG PARTS**

<b>ITEM</b>	<b>PART NO.</b>	<b>QTY.</b>	<b>DESCRIPTION</b>
1.	27638	2	Shaft
2.	27626	1	Front Leg
3.	27673	4	Bolt, 1"-14NF x 4" LG, GR.8
4.	27657	4	Flat Washer, 1 1/8"ID x 2 o.d.
5.	27640	2	Pivot Block, Bottom
6.	27709	2	Bushing - Flanged
7.	27688	6	Bolt, 5/16"-18NC x 3/4" LG, GR.5
8.	27639	2	Retainer, Shaft

SLR-8.max

# MODEL SLR-8/REAR LEG PARTS

PANZITTA SALES & SERVICE  
72 George Avenue  
Wilkes-Barre, PA 18705  
570-822-6720 800-822-6720  
www.panzittasales.com



# MODEL SLR-8/REAR LEG PARTS

## PANZITTA SALES & SERVICE

72 George Avenue

Wilkes-Barre, PA 18705

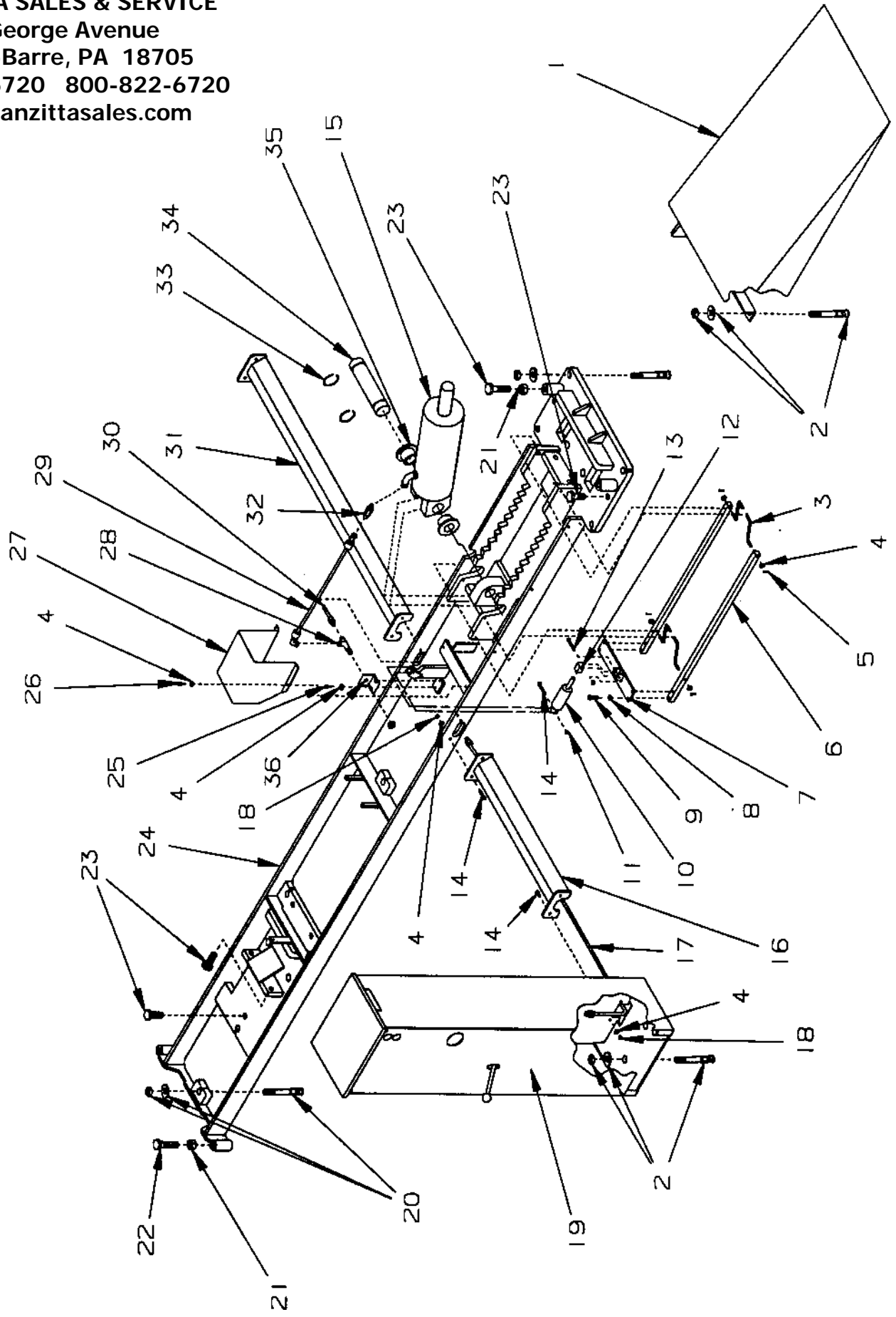
570-822-6720 800-822-6720

[www.panzittasales.com](http://www.panzittasales.com)

ITEM	PART NO.	QTY.	DESCRIPTION
1.	27638	3	Shaft
2.	27625	1	Rear Leg
3.	27642	2	Pivot Rod Latch
4.	27671	2	Retaining Ring, 1 1/2" Dia. Shaft
5.	27672	2	Locknut, 1" - 14NF
6.	27673	4	Bolt, 1" - 14NF x 4" LG, GR. 8
7.	27657	4	Flat Washer, 1 1/8" ID x 2 o.d.
8.	27640	2	Pivot Block, Bottom
9.	27715	1	Latch Assembly, PG D16-D17
10.	28053	1	Retaining Ring, 1 1/4" Dia. Shaft
11.	27670	1	Top Cylinder Pin
12.	27637	1	Yoke
13.	27688	9	Bolt, 5/16" - 18NC x 3/4" LG, GR.5
14.	27639	3	Retainer Shaft
15.	27709	4	Bushing

# MODEL SLR-8/BASE PARTS

PANZITTA SALES & SERVICE  
72 George Avenue  
Wilkes-Barre, PA 18705  
570-822-6720 800-822-6720  
www.panzittasales.com



PANZITTA SALES & SERVICE  
 72 George Avenue  
 Wilkes-Barre, PA 18705  
 570-822-6720 800-822-6720  
 www.panzittasales.com

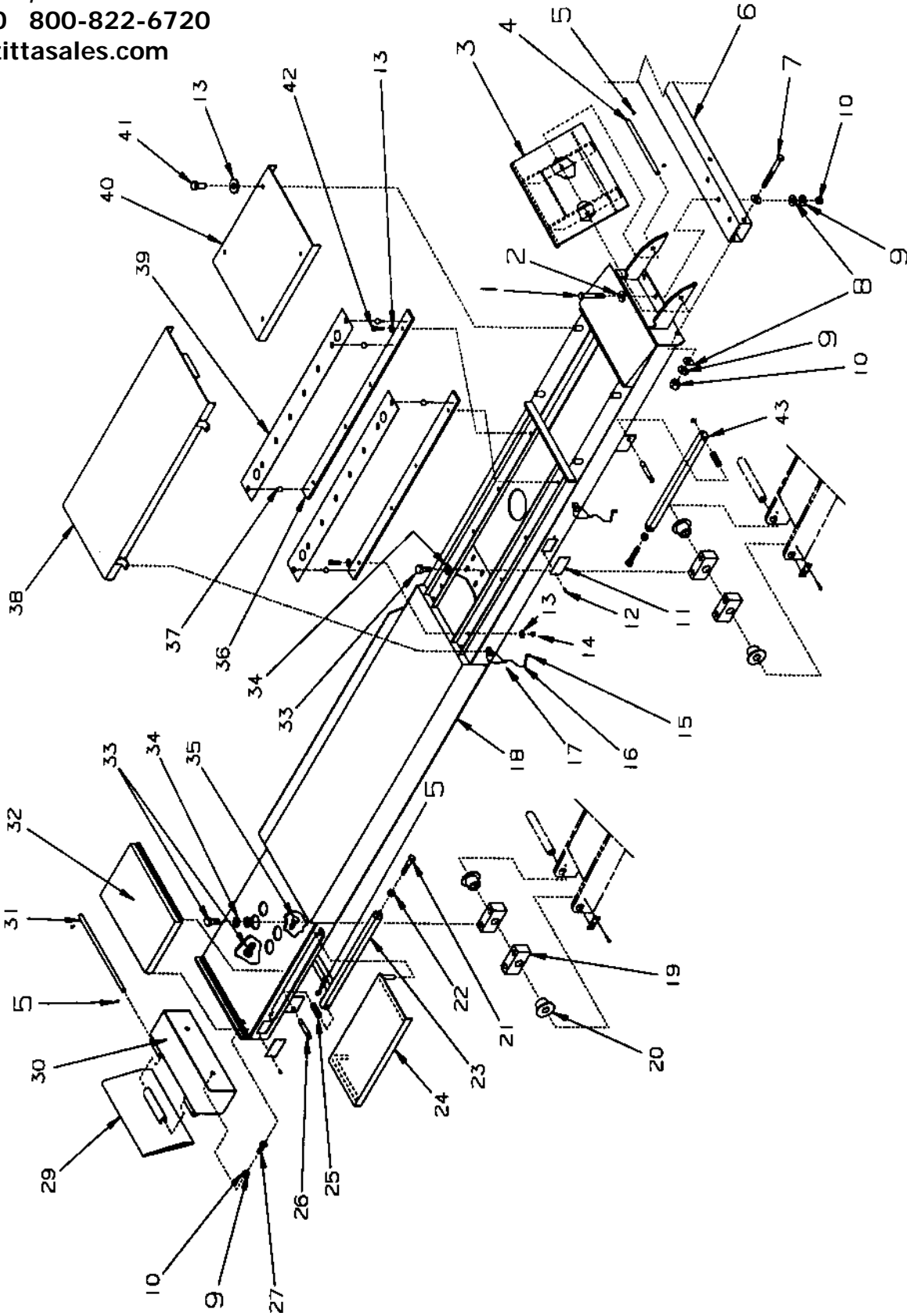
## MODEL SLR-8/BASE PARTS

ITEM	PART NO.	QTY.	DESCRIPTION
1.	27627	1	Ramp
2.	27677	4	Anchor Bolt, 1/2" - 13NC x 2 - 3/4" LG
3.	27652	4	Pivot Rod, Side Bar
4.	27681	16	Flat Washer, 1/4" Dia. Bolt
5.	27666	4	Cotter Pin
6.	27651	2	Side Bar, Latch
7.	27650	1	Latch Trip
8.	27698	4	Flat Washer, 5/16" Dia. Bolt
9.	27700	4	Bolt, 5/16" - x 1 1/4" LG
10.	27809	1	Air Cylinder, 1 1/16" Bore x 3" STR - F
11.	27682	2	Thin Locknut, 1/4" - 20NC
12.	27679	1	Clevis, Air Cylinder
13.	27678	1	Bolt, 1/4" - 20NC x 1 3/4" LG
14.	27680	9	Bolt 1/4"-20NC x 1 1/4"LG
15.	27725	1	Hydraulic Cylinder, 5" Bore
16.	27646	1	Outside Cover WLDMNT
17.	27805	1	Console Hydraulic Line
18.	27683	8	Nut, 1/4" - 20NC
19.	27717	1	Console Assembly, PG D10-D11
20.	27676	10	Anchor Bolt, 3/4" - 10NC x 7" LG
21.	27675	4	Jam Nut, 3/4" - 16NF
22.	27687	2	Bolt, 3/4" - 16NF x 3" LG, GR5
23.	27658	12	Bolt, 3/4" - 16NF x 2" LG, GR5
24.	27621	1	Base WLDMNT
25.	27698	2	Bolt, 1/4" - 20NC x 5/8" LG
26.	27699	2	Bolt, 1/4" - 20NC x 1/2" LG
27.	27653	1	Cover, Air Cylinder
28.	28055	1	Bulk Head Run Tee
29.	28248	1	Cylinder Hose
30.	27804	1	Cross Hydraulic Line
31.	27647	1	Inside Cover
32.	28247	1	Velocity Fuse
33.	27671	2	Retaining Ring, 1 1/2" Dia. Shaft
34.	27704	1	Bottom Cylinder Pin
35.	27811	2	Cylinder Ear Bearing
36.	27651	1	Bracket

SLR-8.max

# MODEL SLR-8/TRACK PARTS

PANZITTA SALES & SERVICE  
72 George Avenue  
Wilkes-Barre, PA 18705  
570-822-6720 800-822-6720  
www.panzittasales.com



**PANZITTA SALES & SERVICE**72 George Avenue  
Wilkes-Barre, PA 18705

570-822-6720 800-822-6720

www.panzittasales.com

**MODEL SLR-8/TRACK PARTS**

<b>ITEM</b>	<b>PART NO.</b>	<b>QTY.</b>	<b>DESCRIPTION</b>
1.	27664	6	Bolt, 3/4" - 10NC x 5" LG, GR5
2.	27665	20	Flat Washer, 3/4" Bolt Size
3.	27628	1	Rear Stop
4.	28252	1	Rear Stop Pin
5.	26075	6	Retaining Ring, Ext.
6.	27624	1	Cross Bar
7.	27669	4	Bolt, 3/4" - 10 x 7" LG, GR5
8.	27665		Flat Washer, 3/4" Bolt Size
9.	20965	12	Lock Washer, 3/4"
10.	6956	14	Nut, 3/4" - 10
11.	26214	2	Plate Electrical, Closed
12.	32587	4	Screw, 1/4" - 20 Th'D Form
13.	27706	12	Washer, Flat 1/2" Bolt Size
14.	27661	4	Nut, Nylock 1/2" - 13NC
15.	27697	2	L Pin
16.	27695	2	Cable
17.	21057	4	Clamp
18.	27623	1	Track WLDMNT- L.H. Shown
18	27622	1	Track WLDMNT-R.H. Not Shown
19.	27641	4	Top Pivot Block
20.	27709	4	Bushing
21.	26489	3	Bolt, Hex HD, 3/4" - 10 x 4" LG
23.	28132	1	Front Leg Assembly
24.	27636	1	Step
25.	20774	2	Spring
26.	26081	3	Pin, Leg
27.	27820	2	Bolt, 3/4" - 10NC x 2" LG, GR5
28.			
29.	26338	1	Stop, Front Assembly
30.	27630	1	Front Extension
31.	26100	1	Pin Pivot
32.	27631	1	Spacer
33.	27656	10	Bolt, 1" - 14NF x 2" LG, GR8
34.	27657	8	Washer, Flat 1 1/8" ID x 2 o.d.
35.	27658	2	Bolt, 3/4" - 16NF x 2" LG, GR5
36.	27634	2	Ball Support, Wide
37.	27660	16	Ball
38.	27633	1	Slip Plate
39.	27635	2	Ball Locator Plate, Wide
40.	27632	1	Cylinder Panel
41.	27662	4	Bolt, 1/2" - 13NC x 3/4" LG, GR5
42.	27659	8	Bolt, 1/2" - 13NC x 1 1/4" LG, GR5
43.	26080		Leg, Leveling

PANZITTA SALES & SERVICE

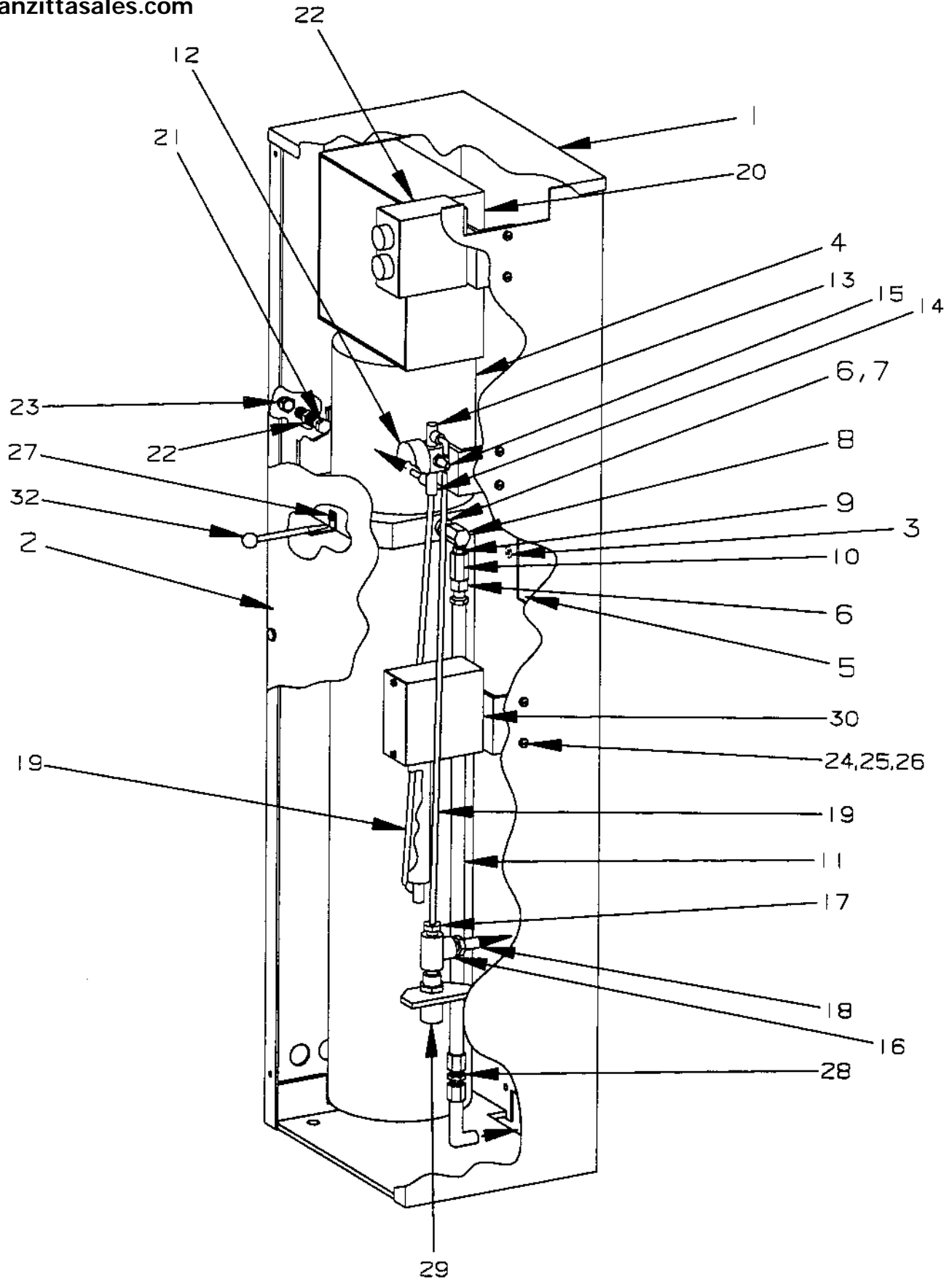
72 George Avenue

Wilkes-Barre, PA 18705

570-822-6720 800-822-6720

www.panzittasales.com

# MODEL SLR-8/CONSOLE

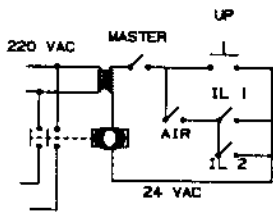
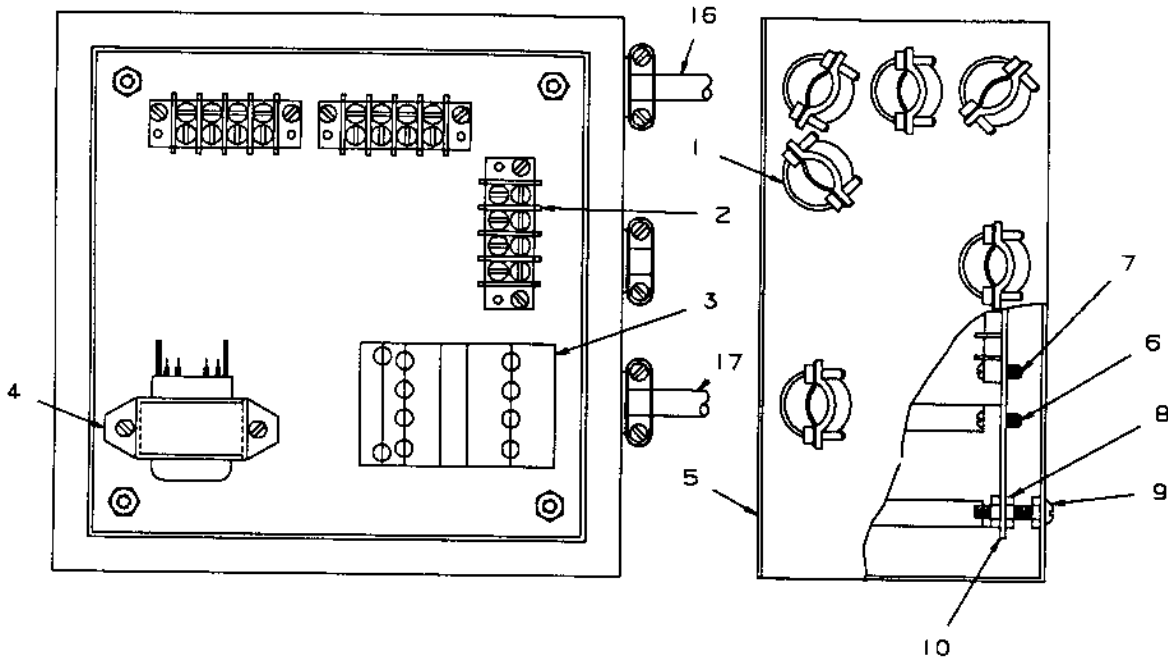


PANZITTA SALES & SERVICE  
 72 George Avenue  
 Wilkes-Barre, PA 18705  
 570-822-6720 800-822-6720  
 www.panzittasales.com

## MODEL SLR-8/CONSOLE

ITEM	PART NO.	QTY.	DESCRIPTION
1.	D - 27648	1	Console
2.	C - 27649	1	Cover
3.	A - 27684	8	Self - Tapping Screw
4.	A - 28071	1	Power Unit
5.	A - 28256	1	Access Plate
6.	A - 28058	2	Male Adapter
7.	A - 28059	1	O - Ring
8.	A - 28060	1	90 degree elbow
9.	A - 28061	1	Male Swivel Adapter
10.	A - 28043	1	Flow Control
11.	A - 27806	1	Hydraulic Line - P.U.
12.	A - 28057	1	Air Valve
13.	A - 28044	3	Tube Elbow
14.	A - 28045	1	Male Run Tee
15.	A - 28056	3	Muffler
16.	A - 28065	1	Street Tee
17.	A - 28046	1	Tube Connector - 1/4"
18.	A - 28047	1	Tube Connector - 3/8"
19.	A - 28066	2	Air Tubing
20.	C - 27721	1	Motor Control Box (Pages D-12 & 13)
21.	A - 6483	4	Motor Mounting Screw 5/16"
22.	A - 100102	4	Nut - 5/16"
23.	A - 28261	4	Acorn Nut
24.	A - 28050	9	Mounting Screw - 10-24
25.	A - 28051	10	Nut - 10-24
26.	A - 28052	18	Washer #10
27.	C - 27722	1	Switch Box, Assy.(Page D-15)
28.	A - 28049	1	Union
29.	A - 28067	1	Hose Barb Fitting
30.	C - 27770	1	Air Switch Assy.(Page D-14)
31.	A - 28270	1	Handle
32.	A - 320	1	Ball Knob

# MODEL SLR-8/MOTOR CONTROL BOX



## WIRING CODE

TERMINAL G = GROUND  
 TERMINAL L1 = 220 IN  
 TERMINAL L2 = 220 IN

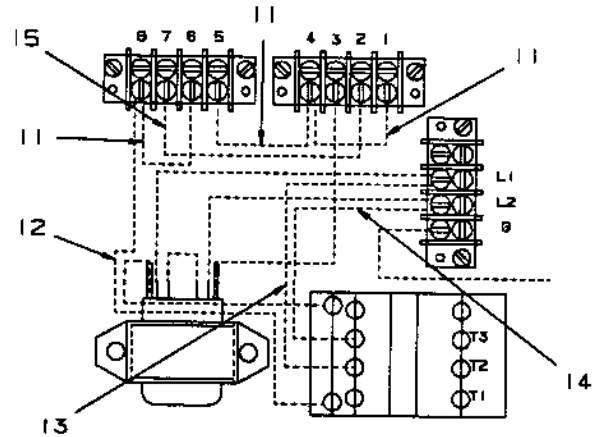
TERMINAL 1 = AIR SWITCH  
 TERMINAL 2 = AIR SWITCH

TERMINAL 3 = TO MASTER  
 TERMINAL 4 = FROM MASTER

TERMINAL 5 = TO RUN  
 TERMINAL 6 = FROM RUN

TERMINAL 7 = TO INTERLOCK  
 TERMINAL 8 = FROM INTER-  
 LOCK

TERMINAL T2 = TO MOTOR  
 TERMINAL T3 = TO MOTOR



**PANZITTA SALES & SERVICE**  
 72 George Avenue  
 Wilkes-Barre, PA 18705  
 570-822-6720 800-822-6720  
[www.panzittasales.com](http://www.panzittasales.com)

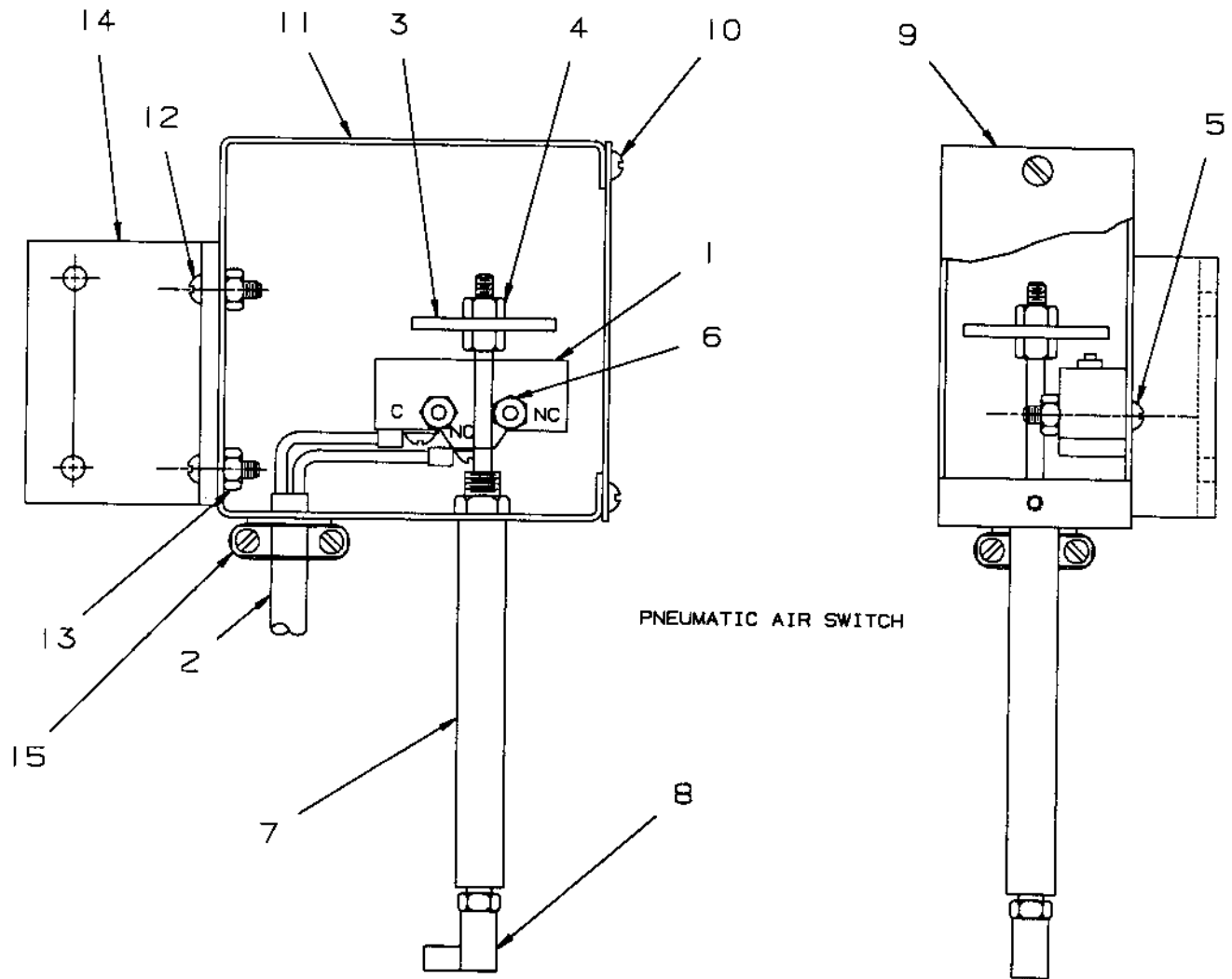
PANZITTA SALES & SERVICE  
72 George Avenue  
Wilkes-Barre, PA 18705  
570-822-6720 800-822-6720  
www.panzittasales.com

**MODEL SLR-8/MOTOR CONTROL BOX**  
(27721)

<b>ITEM</b>	<b>PART NO.</b>	<b>QTY.</b>	<b>DESCRIPTION</b>
1.	25783	6	Cord Clamp
2.	28246	3	Terminal Block
3.	28245	1	Contacto
4.	28244	1	Transformer
5.	27723	1	Control Box
6.	24782	4	Screw 8-32
7.	20364	6	Screw 6-32
8.	11213	12	Hex Nut
9.	27749	5	Screw
10.	28250	1	Mounting Plate
11.	28257	3	Jumper Wire
12.	28258	1	Jumper Wire
13.	28260	1	Jumper Wire
14.	28265	1	Jumper Wire
15.	28266	1	Jumper Wire
16.	28251	1	Inter-connect Cable
17.	28268	1	Motor Cable

SLR-8.max

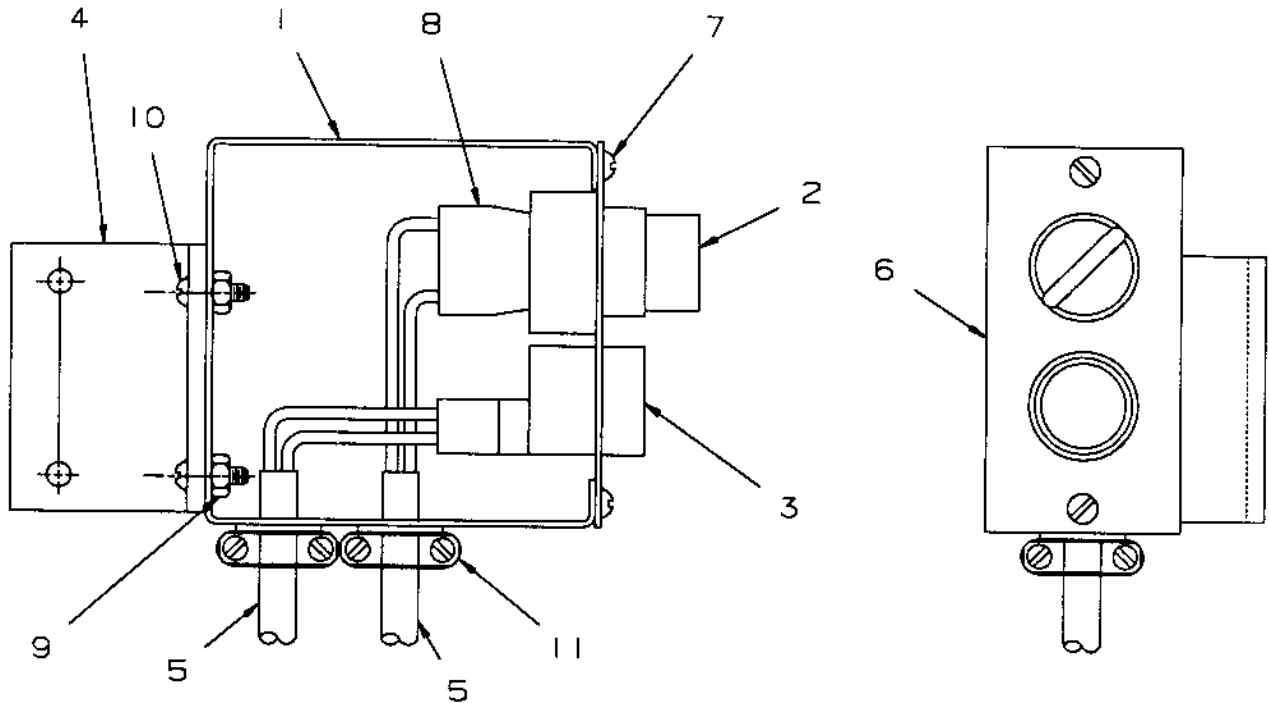
# MODEL SLR-8/AIR SWITCH ASSEMBLY (27770)



ITEM	PART NO.	QTY.	DESCRIPTION
1.	28013	2	Microswitch
2.	28042	1	Switch Cable
3.	28239	1	Disc
4.	249	2	Nut-Disc
5.	28014	4	Screw - #6-32
6.	28007	4	Nut- #6-32
7.	28241	1	Cylinder
8.	28242	1	Tube Elbow
9.	28240	1	Box Cover
10.	24782	2	Screw Box
11.	27724	1	Switch Box
12.	28050	2	Mounting Screw, 10-24
13.	28051	2	Nut, 10-24
14.	27780	1	Mounting Bracket
15.	25783	1	Cord Clamp

PANZITTA SALES & SERVICE  
72 George Avenue  
Wilkes-Barre, PA 18705  
570-822-6720 800-822-6720  
[www.panzittasales.com](http://www.panzittasales.com)

# MODEL SLR-8/SWITCH BOX ASSEMBLY (27722)



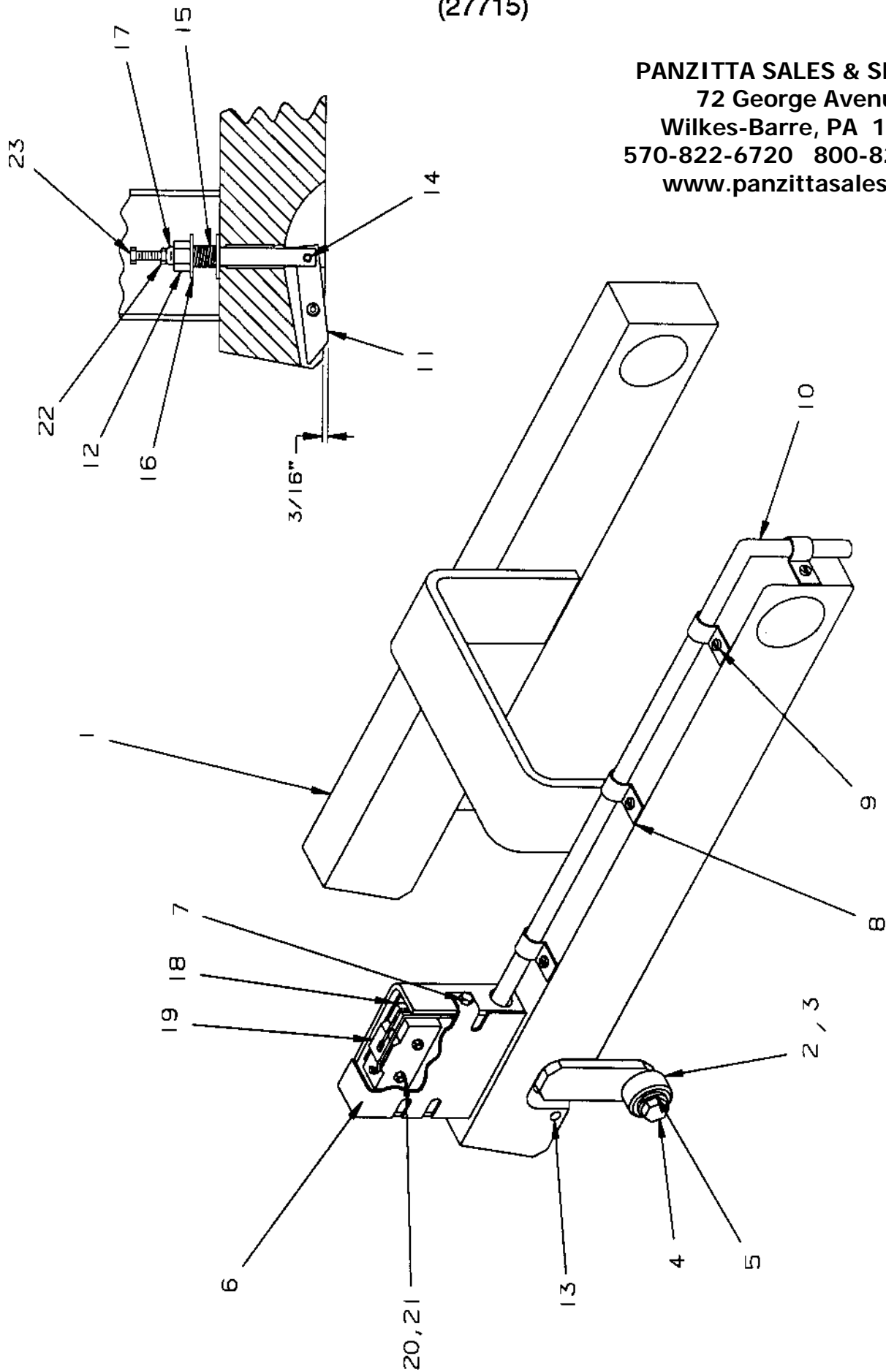
**PANZITTA SALES & SERVICE**  
 72 George Avenue  
 Wilkes-Barre, PA 18705  
 570-822-6720 800-822-6720  
 www.panzittasales.com

ITEM	PART NO.	QTY.	DESCRIPTION
1.	27724	2	Switch Box
2.	305003	1	On/Off Switch
3.	305040	1	Green Push Button
4.	27780	2	Mounting Bracket
5.	27781	2	Switch Cable
6.	27782	1	Box Cover
7.	24782	4	Screw, Box
8.	28243	2	Contact Block - N/O
9.	28050	2	Mounting Screw, 10-24
10.	28051	2	Nut, 10-24
11.	25783	2	Cord Clamp

# MODEL SLR-8/LATCH ASSEMBLY

(27715)

PANZITTA SALES & SERVICE  
72 George Avenue  
Wilkes-Barre, PA 18705  
570-822-6720 800-822-6720  
[www.panzittasales.com](http://www.panzittasales.com)



# MODEL SLR-8/LATCH ASSEMBLY (27715)

ITEM	PART NO.	QTY.	DESCRIPTION
1.	27708	2	Latch WLDMNT
2.	27701	4	Wheel
3.	27702	4	Roller
4.	27703	4	Screw - Wheel
5.	27689	4	Washer
6.	27748	2	Box Cover
7.	27684	4	Screw - Self Tapping
8.	28077	8	Clip
9.	27685	8	Screw- 10-24
10.	27692	2	Latch Cable
11.	27644	2	Lever - Switch
12.	27643	2	Rod - Actuator
13.	27693	2	Roll Pin - 1/4
14.	27694	2	Roll Pin - 5/32
15.	27707	2	Spring
16.	279	4	Washer
17.	11273	2	Locknut - 3/8
18.	27663	2	Pad
19.	28013	1	Microswitch
20.	28014	2	Screw - #6-32
21.	28007	2	Nut - #6-32
22.	28051	1	Nut - 10-24
23.	27749	1	Screw

**PANZITTA SALES & SERVICE**  
 72 George Avenue  
 Wilkes-Barre, PA 18705  
 570-822-6720 800-822-6720  
[www.panzittasales.com](http://www.panzittasales.com)

## AIR LINE FITTINGS

ITEM	PART NO.	QTY.	DESCRIPTION
1.	27792	1	Union Tee 1/4"
2.	28068	1	Air Line-Short 1/4"
3.	28069	2	Air Line-Long 1/4"
4.	26193	6	1/4" Pipe Plug
5.	26190	5	Male Run Tee 3/8"
6.	26191	1	Male Elbow
7.	28021	12	Washer
8.	28077	6	Clamp
9.	26204	9	Plastic Clamp
10.	26194-06	1	Plastic Tubing 3/8"
11.	26194-07	2	Plastic Tubing 3/8"
12.	26194-05	2	Plastic Tubing 3/8"