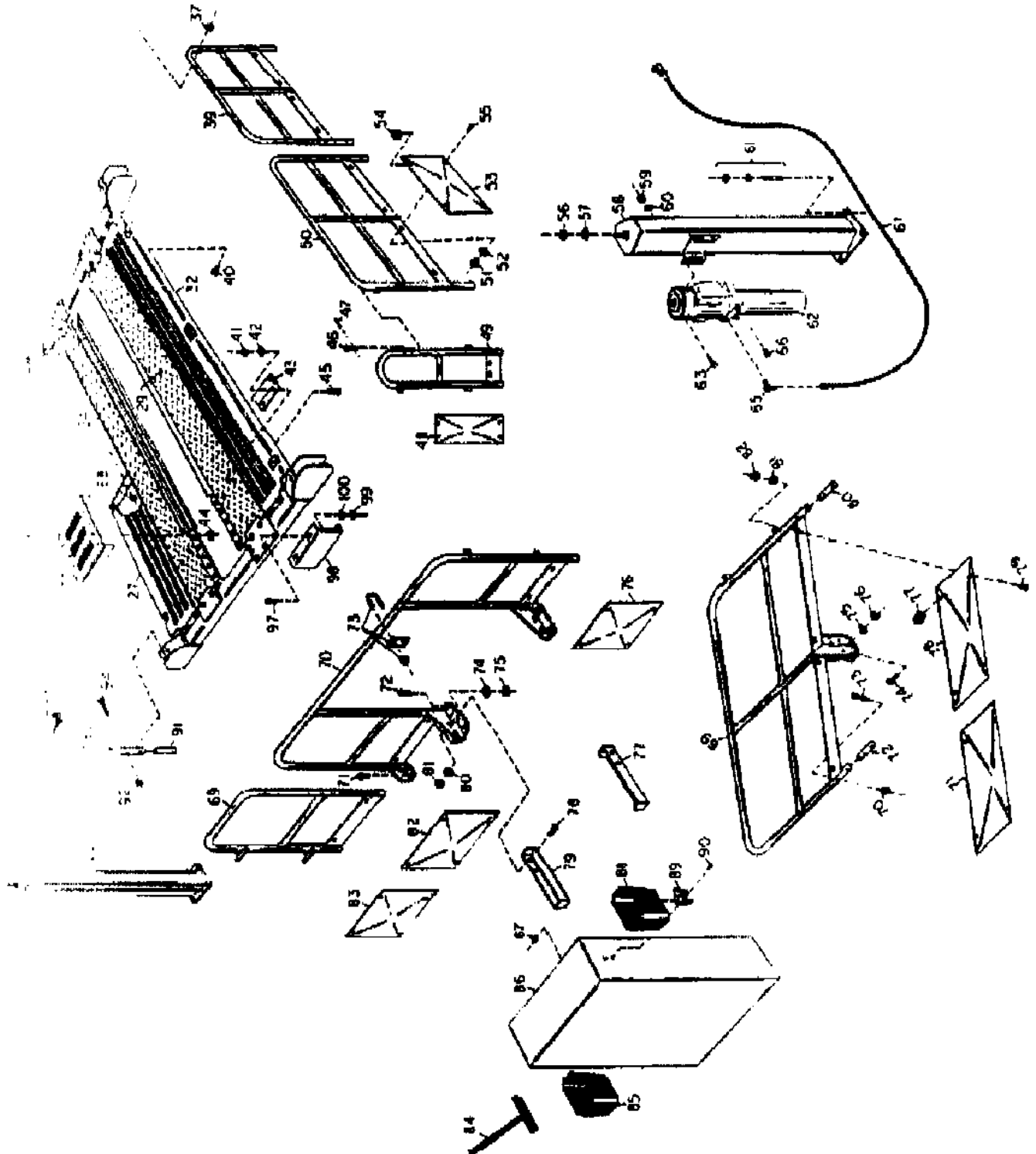


# MODEL ASL-1

PANZITTA SALES & SERVICE  
72 George Avenue  
Wilkes-Barre, PA 18705  
570-822-6720 800-822-6720  
[www.panzittasales.com](http://www.panzittasales.com)



UNIT PART NO. 84784

# MODEL ASL-1

ITEM	PART NO.	QTY.	DESCRIPTION	ITEM	PART NO.	QTY.	DESCRIPTION
1	84818-8	2	Splash Shield	42	100141	4	3/8 Washer
2	84620	1	Corner Handrail Weldment	43	84698	2	Chock Weldment
3	100297	2	1/2-13 Lock Nut	44	100237	10	5/16-18 Lock Nut
4	84643	1	Right Handrail Weldment	45	100360	4	3/8-16 x 1 1/2 Hex Flange Screw
5	100083	2	3/8-16 Lock Nut	46	84652	8	Clevis Pin
6	100141	2	3/8 Washers	47	84124	8	Cotter Pin
7	100238	4	3/8-16 x 1 Hex Cap Screw	48	84618-1	2	Splash Shield(Opt)
8	82459	2	Support-Ladder	49	84620	1	Corner Handrail Weldment
9	84768	2	Pin, Gravity Hinge	50	84605	1	Left Handrail Weldment-Front
10	100238	2	3/8-16 x 1 Hex Cap Screw	51	84651	22	1/4-20 Lock Nut
11	82460	1	Ladder Structure	52	100065	22	1/4 Flat Washer
12	82729	1	Ladder Handrail Structure	53	84618-5	4	Splash Shield(Opt)
13	100141	2	3/8 Washers	54	84624	22	Steel Pipe Ring(SSO)
14	100238	2	3/8-16 x 1 Hex Cap Screw	55	84649	22	1/4-20 x 3/4 Oval Head Cap Screw(Splash Shield Only)
15	80193	2	1/2-13 Nut	56	80427	4	3/4-10 Nylock Nut
16	82571	2	Wheel	57	100170	8	3/4" Washer
17	100141	2	Washer-1/2"	58	81262	1	Post Structure W/Mount
18	100034	2	1/2-13 x 2 1/2 Hex Cap Screw	59	100102	4	5/16-18 Nut
19	84749	1	Gate, Right (Opt)	60	100159	4	5/16 Lock Washer
20	81261	1	Post Structure	61	80362	16	Anchor Bolt w/nut & washer
21	100307	10	5/16-18 x 1 Carriage Bolts	62	82902	1	Power Unit
22	81261	1	Post Structure	63	100198	4	5/16-18 x 7/8 Hex Cap Screw
23	82450	1	Cover-Center	64	100085	6	1/2-13 x 1-3/4 Carriage Bolt
24	84023	1	Right Track Weldment	65	82056	1	90 Degree Elbow
25	100351	12	E-Ring 1/2"	66	100026	1	ORB Plug
26	84654	2	Ramp Weldment	67	82587	1	Hose Assembly
27	84688	1	Track Extension-Right	68	100239	4	3/8-16 Flange Nut
28	84670	4	Axle-Ramp	69	84638	1	Front Handrail Weldment
29	84034	1	Left Track Assembly	70	100083	4	3/8-16 Lock Nut
30	23507	4	Wheel	71	84618-7	1	Splash Shield(Opt)
31	84671	2	Pivot Shaft	72	84630	1	Inner Spacer
32	84656	1	Track Extension-Left	73	100098	4	3/8-16 x 2-3/4 Hex Cap Screw
33	84663	2	Ramp Pivot Weldment	74	84732	4	3/8-16 x 1-1/4 Hex Flange Head Screw
34	84748	1	Gate-Left	75	100141	4	3/8 Flat Washer
35	84768	2	Pin, Gravity Hinge	76	100083	4	3/8-16 Lock Nut
36	100039	6	1/2-13 Nut	77	84624	4	Steel Pipe Ring
37	100297	2	1/2-13 Lock Nut	78	84618-7	1	Splash Shield(Opt)
38	81261	1	Post Structure	79	84649	4	1/4-20 x 3/4 Oval Head Cap Screw
39	84608	1	Left Handrail Weldment-Rear	80	84630	1	Inner Spacer
40	100180	12	1/2-13 x 1 1/2 Hex Cap Screw	81	100065	4	1/4 Flat Washer
41	100239	4	3/8-16 Flange Nut	82	84651	4	1/4-20 Lock Nut

# MODEL ASL-1 LEFT TRACK ASSEMBLY

PANZITTA SALES & SERVICE

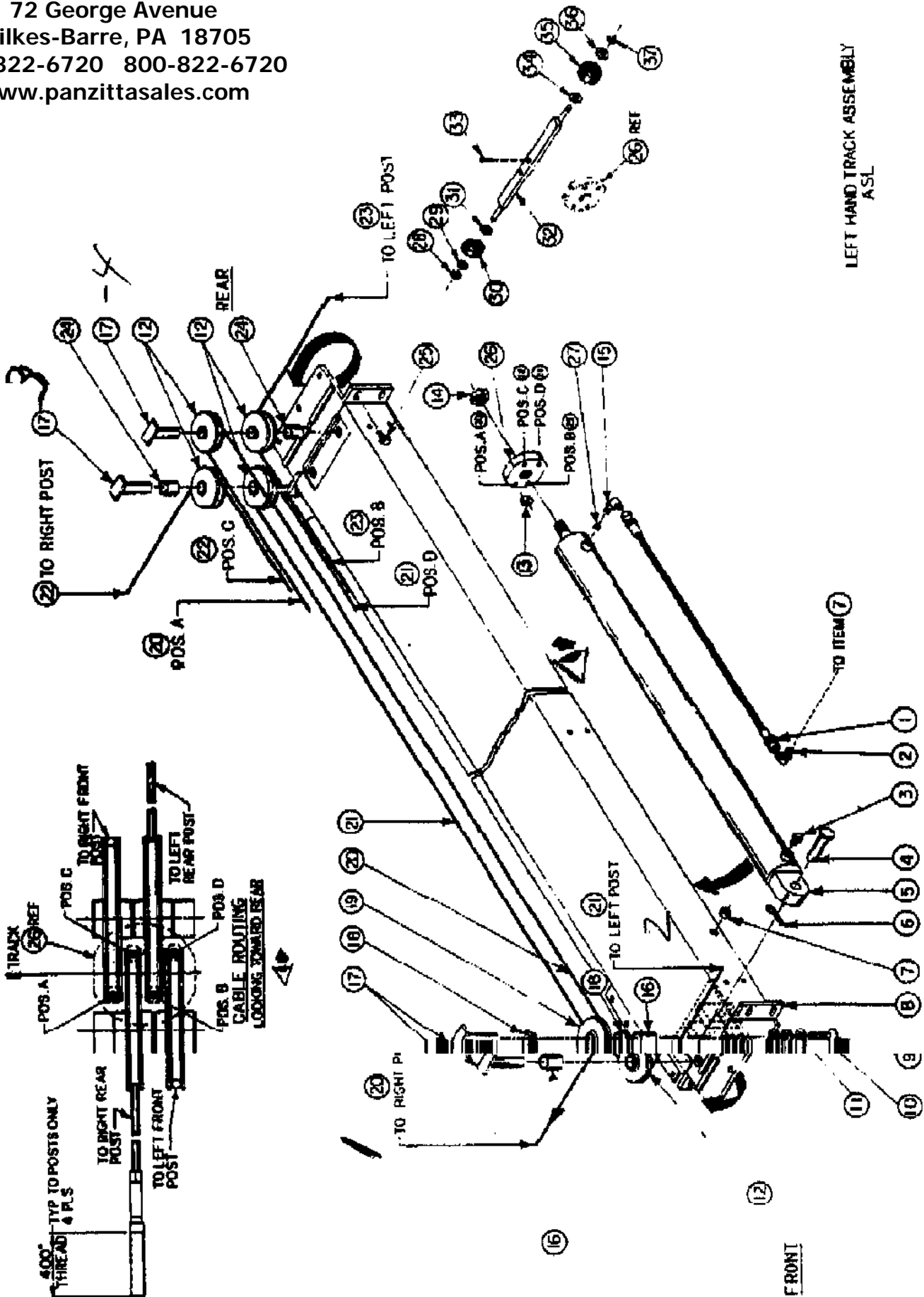
72 George Avenue

Wilkes-Barre, PA 18705

570-822-6720 800-822-6720

www.panzittasales.com

LEFT HAND TRACK ASSEMBLY  
ASL



**PANZITTA SALES & SERVICE**

72 George Avenue

Wilkes-Barre, PA 18705

570-822-6720 800-822-6720

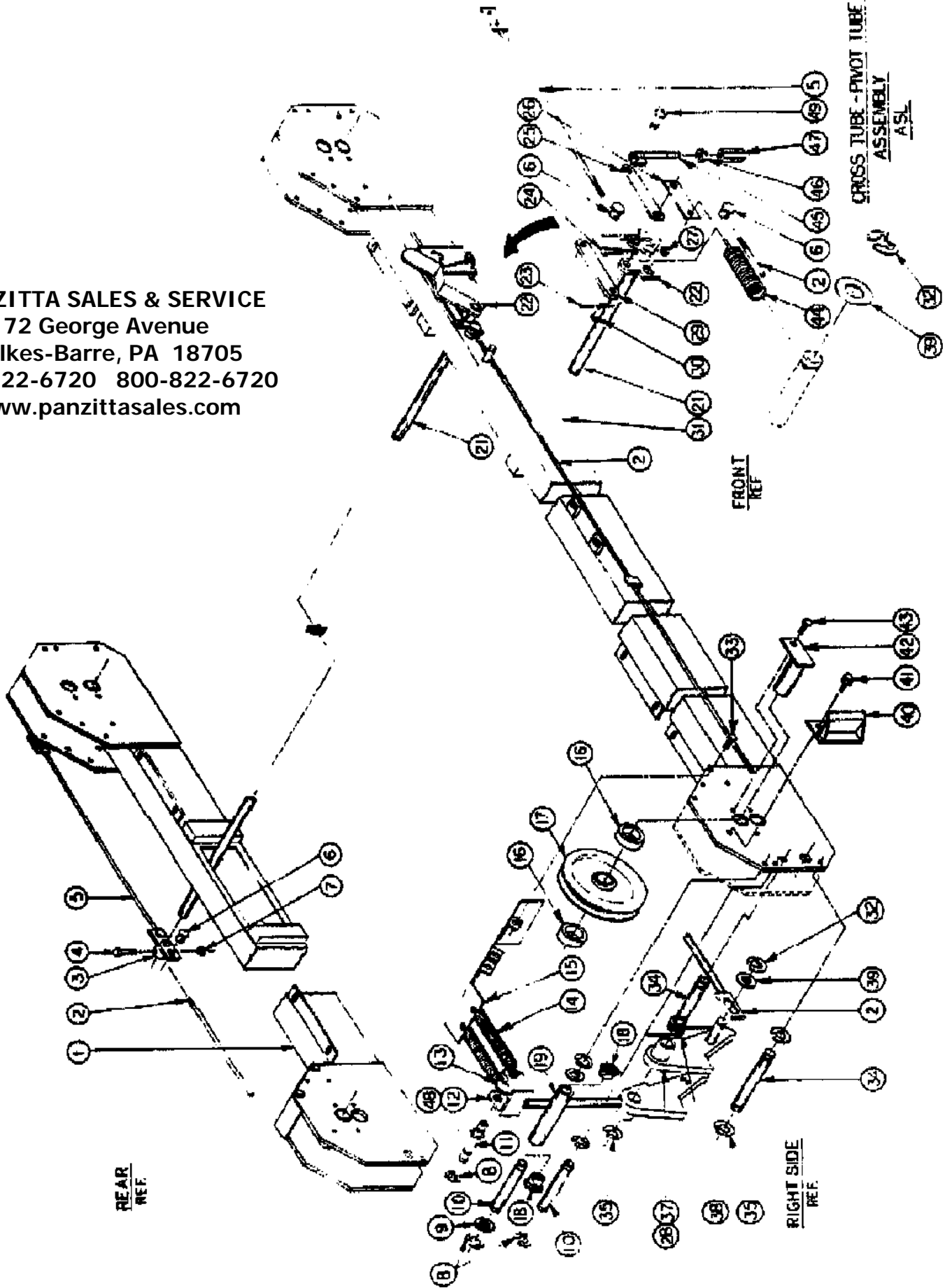
www.panzittasales.com

**MODEL ASL-1 LEFT TRACK ASSEMBLY**

<b>Item</b>	<b>Part No.</b>	<b>Qty.</b>	<b>Description</b>
1	84236	1	Hose Assembly
2	81318	1	Bulkhead Adapter w/Nut
3	82130	1	Breather Plug, Plug
4	81312	1	Clevis Pin
5	84155	1	Hydraulic Cylinder
6	100110	1	Hairpin Clip
7		1	Nut (Included with Item 2)
8	84033	1	Track Structure Weldment
9	100352	4	3/4-10 x 1-1/2 Socket Flat Head Cap Screw
10	84030	4	Washer, Special
11	84357	8	Shim, Sheave Pin
12	84284	6	Sheave Assembly
13	80427	4	3/4-10 Nylock Nuts
14	84373	1	1-1/4-12 UNF Jam Nut
15	80368	1	Elbow 9/16 JIC x 9/16 ORB
16	84061	2	Spacer
17	84028	4	Shaft
18	84076	12	DU Flanged Bearing (Part of Item 12)
19	83959	6	Sheave, Cable (Part of Item 12)
20	84170	1	Cable (422.56 in. long)
21	84171	1	Cable (364.25 in. long)
22	84172	1	Cable (218.38 in. long)
23	84173	1	Cable (157.78 in. long)
24	84026	2	Spacer
25	100304	8	1/2-13 x 1 Hex Flange Head Screw
26	83966	1	Cylinder Adapter
27	81959	1	Orifice (.086)
28	100351	1	E-Ring (1/2")
29	100062	1	Washer (1/2")
30	23507	1	Wheel
31	100062	1	Washer (1/2")
32	84471	1	Bar Weldment
33	84548	2	1/4-20 x 1 Socket Flat Head Screw
34	100062	1	Washer (1/2")
35	23507	1	Wheel
36	100062	1	Washer (1/2")
37	100351	1	E-Ring (1/2")

# MODEL ASL-1 CROSSTUBE AND LOCKS

PANZITTA SALES & SERVICE  
72 George Avenue  
Wilkes-Barre, PA 18705  
570-822-6720 800-822-6720  
www.panzittasales.com



# MODEL ASL-1 CROSSTUBE AND LOCKS

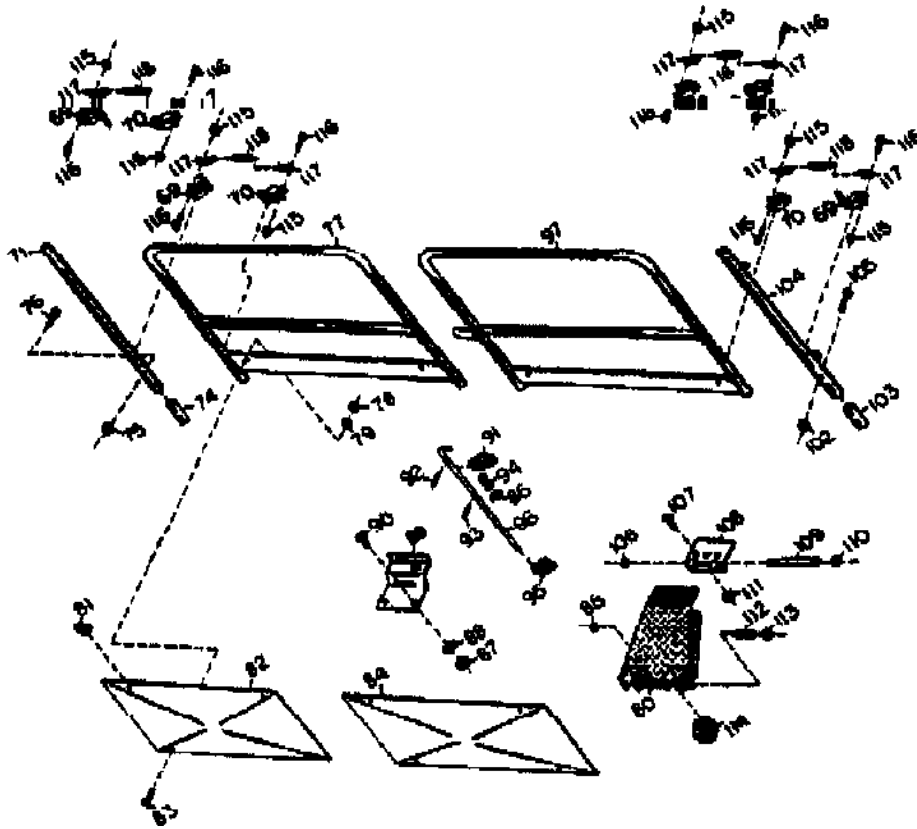
Item	Part No.	Qty.	Description
1	83970	1	Crossmember Weldment, Rear
2	83980	2	Unlock Rod, Long
3	81092	1	Pivot Structure
4	81483	1	5/16-18 x 1-1/2 Hex Cap Screw
5	83979	2	Unlock Rod, Short
6	81095	4	Pin, Pivot
7	100237	1	5/16-18 Lock Nut
8	80683	24	Retaining Ring-3/8"
9	81206	8	Flat Washer, Special
10	84258	8	Pivot
11	84085	4	Shaft-Cable, Safety
12	<del>84180</del>	2	Safety Latch- <del>84180</del> (as shown) <i>RF, LR</i>
13	81279	4	Roller-Slack Cable
14	84254	8	Spring Safety-Stop
15	84174	4	Cover Plate
16	84104	8	Spacer-Crossmember
17	84284	4	Sheave Assembly
18	84842	8	Nyliner Bushing
19	84841	4	Roller
20			
21	82545	1	Tube Structure-Pivot
22	81138	1	Handle
23	100175	1	Cotter Pin
24	81483	1	5/16-18 x 1-1/2 Hex Cap Screw
25	81101	1	Bar
26	84113	1	Spring Plate
27	100237	1	5/16-18 Lock Nut
28	84106	2	Latch-Right (Not Shown)
29	81102	1	Bar-Tapped
30	84112	1	Clevis Pin
31	83969	1	Crossmember-Front
32	100351	5	Retaining Ring-1/2"
33	100240	16	3/8-16 x 3/4 Hex Cap Screw
34	84111	8	Shaft-Pivot
35	100276	16	Retaining Ring-5/8"
36			
37	84107	2	Latch-Left (as shown)
38	84116	4	Torsion Spring
39	100062	5	1/2" Flat Washer
40	84114	8	Safety Bracket
41	100243	16	1/2-13 x 3/4 Hex Flange Head Screw
42	84169	4	Shaft Weldment
43	100240	4	3/8-16 x 3/4 Hex Cap Screw
44	84115	1	Spring
45	84108	1	Unlock Rod
46	100127	1	3/8-16 Nut
47	81253	1	Nut-Special
48	<del>84181</del>	2	Safety Latch-Right (not shown) <i>C.F. R.R</i>
49	81107	1	Shoulder Screw

PANZITTA SALES & SERVICE  
 72 George Avenue  
 Wilkes-Barre, PA 18705  
 570-822-6720 800-822-6720  
 www.panzittasales.com

*85171*

*85172 -*

PANZITTA SALES & SERVICE  
72 George Avenue  
Wilkes-Barre, PA 18705  
570-822-6720 800-822-6720  
www.panzittasales.com



ASLI & 1W.max